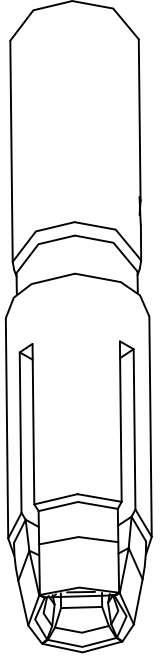
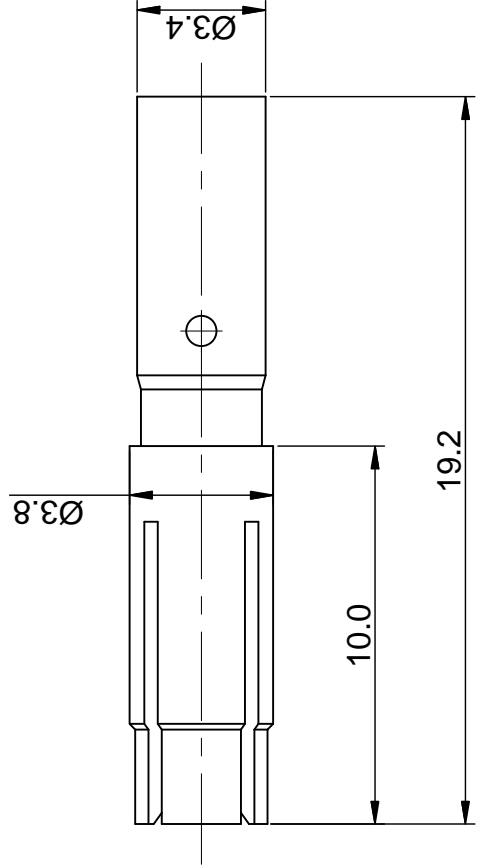
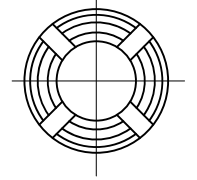
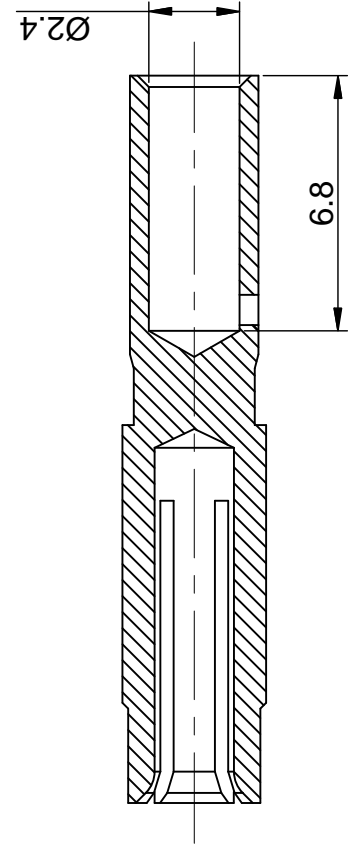




**THE DATASHEET OF
SC000045**





| QUANTIT | UNLESS OTH | MATERIAL SPECIF | PROCESS SPECIF | NEXT ASSY. |
|---------|------------------|-----------------|----------------|------------|
| | 1) All dimension | | | |
| | 2) Tolerance as | | | |
| | 1 PL DEC +0.3 | | | |
| | 2 PL DEC +0.1 | | | |
| | 3 PL DEC +0.0 | | | |
| | 3) Note referen | | | |

Looking for pricing, stock, or lifecycle information?

Click below to explore more details on WIN SOURCE:

- [View SC000045 on WIN SOURCE](#)
- [Amphenol Sine Systems Corp Information](#)

Optimize Your Supply Chain with WIN SOURCE Solutions

- ✓ Global Sourcing Solution
- ✓ Obsolete Management
- ✓ Cost Control Management
- ✓ Shortage Management
- ✓ Alternative Solution
- ✓ Excess Inventory Management