



THE DATASHEET OF
178.6165.0002



Blade Fuseholders - FLR PCB Fuseholder for ATO® Style Blade Fuse rated 80V

RoHS



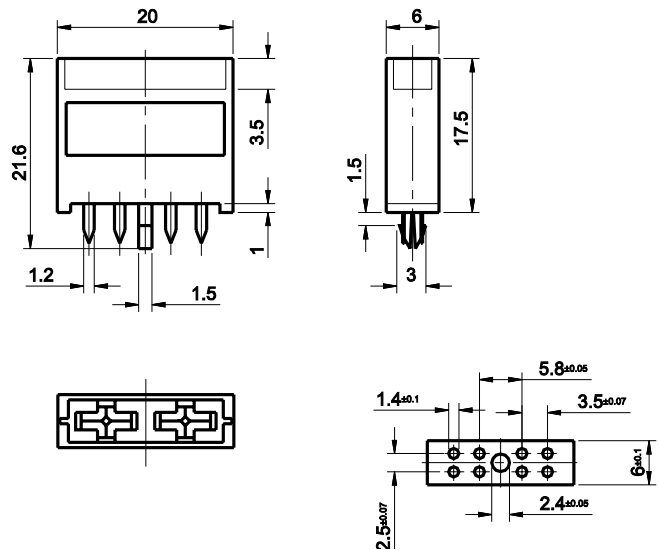
Specifications

- Housing:** Out of thermoplastic (UL 94-V0, heat-resistant)
- Connections:** Leaf spring connector systems, soldering terminals (4 pins each), copper alloy, silver plated
- Color:** Black

PCB Fuseholder for ATO/ FKS size fuse-links. For through hole soldering. Rated voltage 80V.

PCB-Sicherungshalter für Sicherungen in ATO / FKS-Größe. Durchlötmontage, Nennspannung 80V.

Dimensions in mm / Maße in mm





Part Number Artikel-Nr.	Description Beschreibung	Contact Temperature Kontakttemperatur
178.6165.000_	Complete	max. 130°C

Last figure of part number = packaging code, see Section "Packaging Index," pg. 157.
Corresponding fuse links see Section "Blade Fuses."

Looking for pricing, stock, or lifecycle information?

Click below to explore more details on WIN SOURCE:

-  [View 178.6165.0002 on WIN SOURCE](#)
-  [Littelfuse Inc. Information](#)

Optimize Your Supply Chain with WIN SOURCE Solutions

-  Global Sourcing Solution
-  Obsolete Management
-  Cost Control Management
-  Shortage Management
-  Alternative Solution
-  Excess Inventory Management