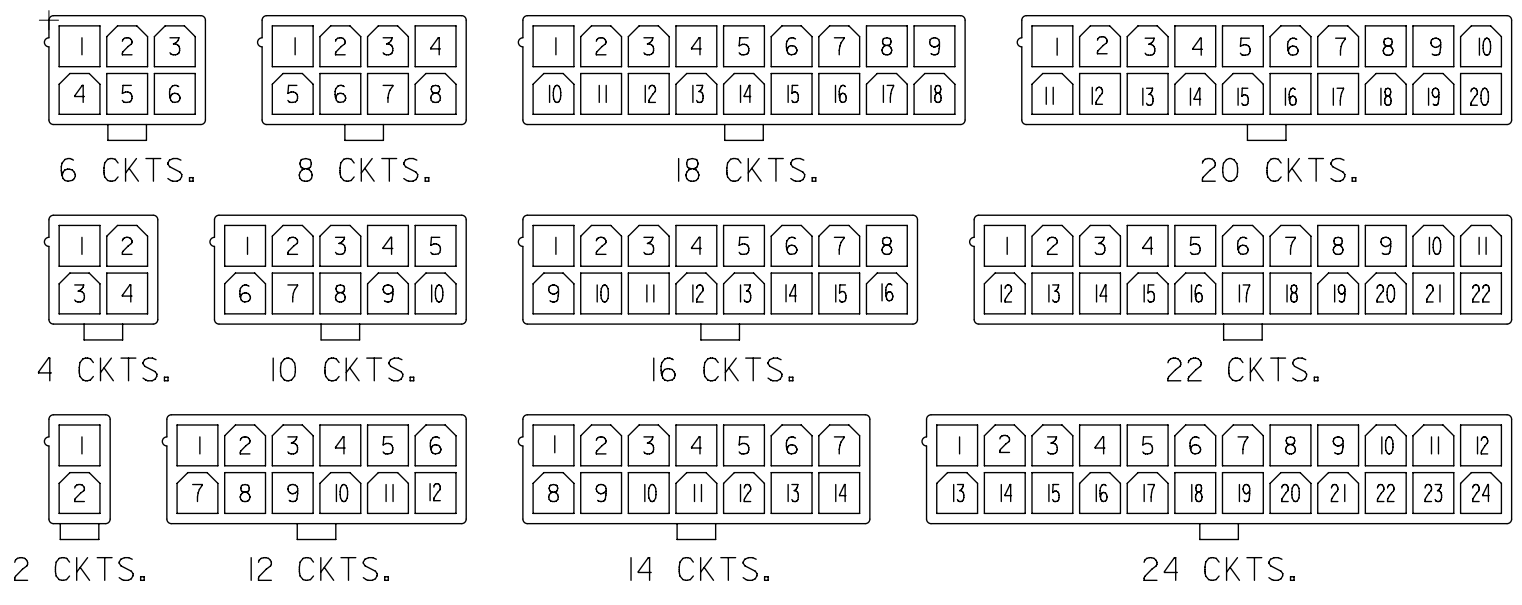




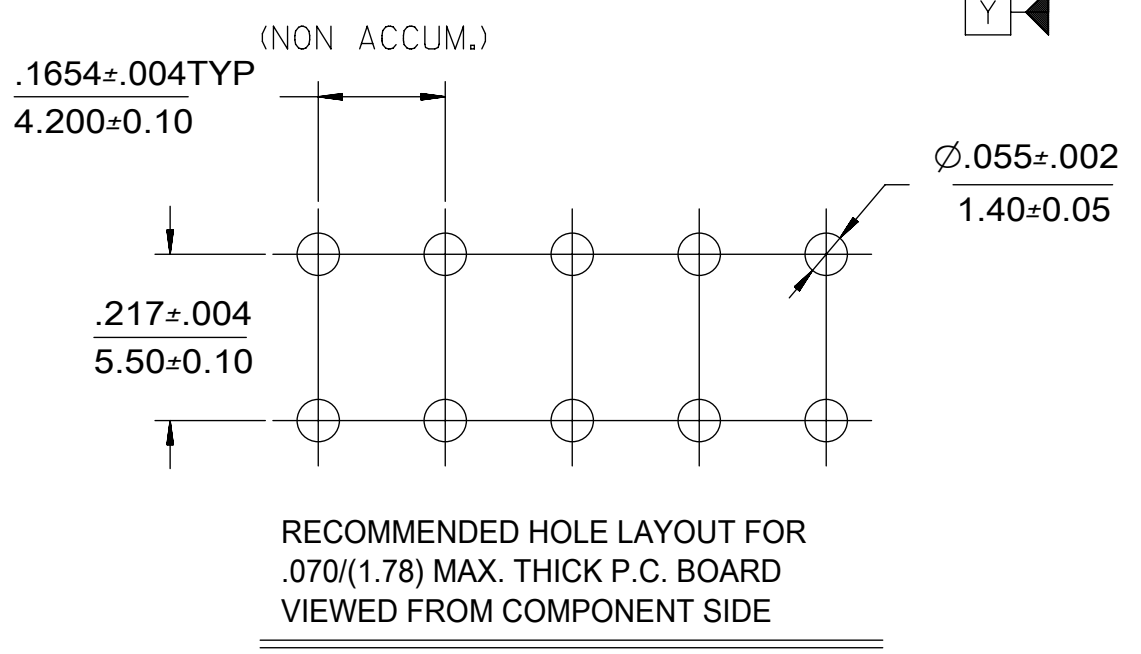
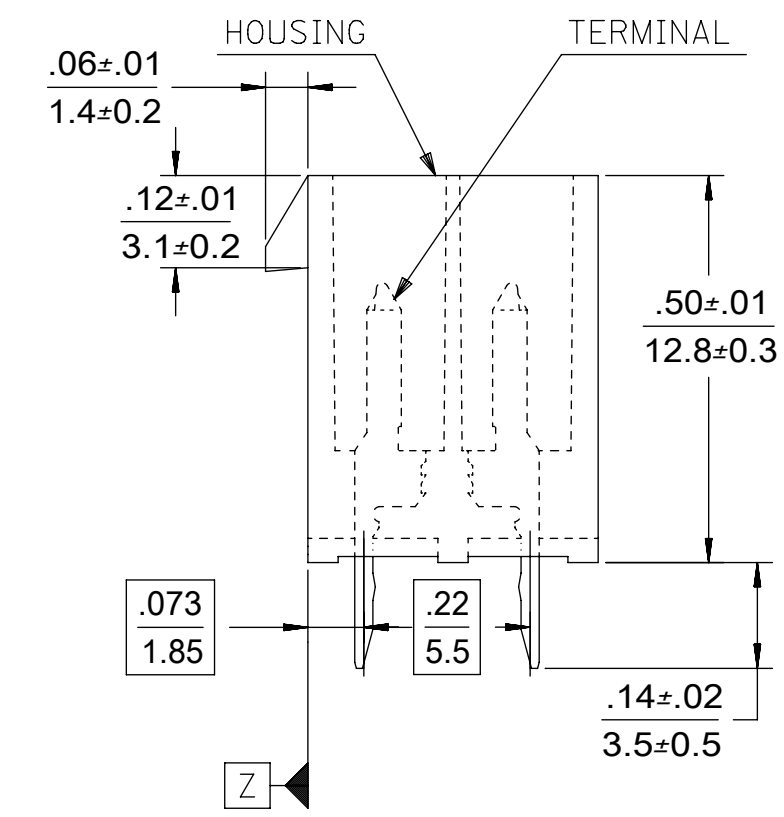
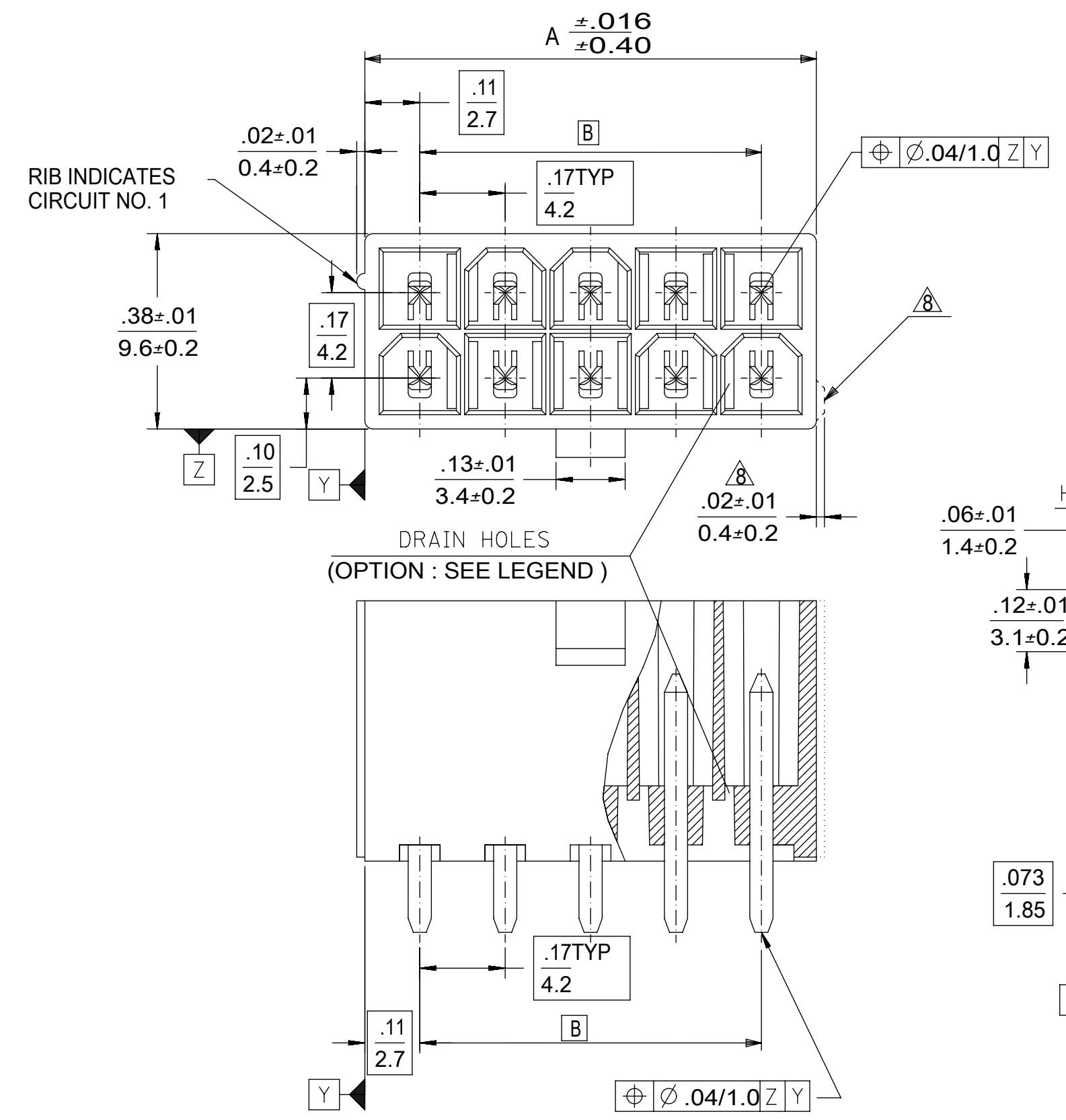
THE DATASHEET OF
39281083



CIRCUIT SIZE	DIM. "A"	DIM. "B"
2	.21 (5.4)	—
4	.38 (9.6)	.17 (4.2)
6	.54 (13.8)	.33 (8.4)
8	.71 (18.0)	.50 (12.6)
10	.87 (22.2)	.66 (16.8)
12	1.04 (26.4)	.83 (21.0)
14	1.20 (30.6)	.99 (25.2)
16	1.37 (34.8)	1.16 (29.4)
18	1.54 (39.0)	1.32 (33.6)
20	1.70 (43.2)	1.49 (37.8)
22	1.87 (47.4)	1.65 (42.0)
24	2.03 (51.6)	1.82 (46.2)

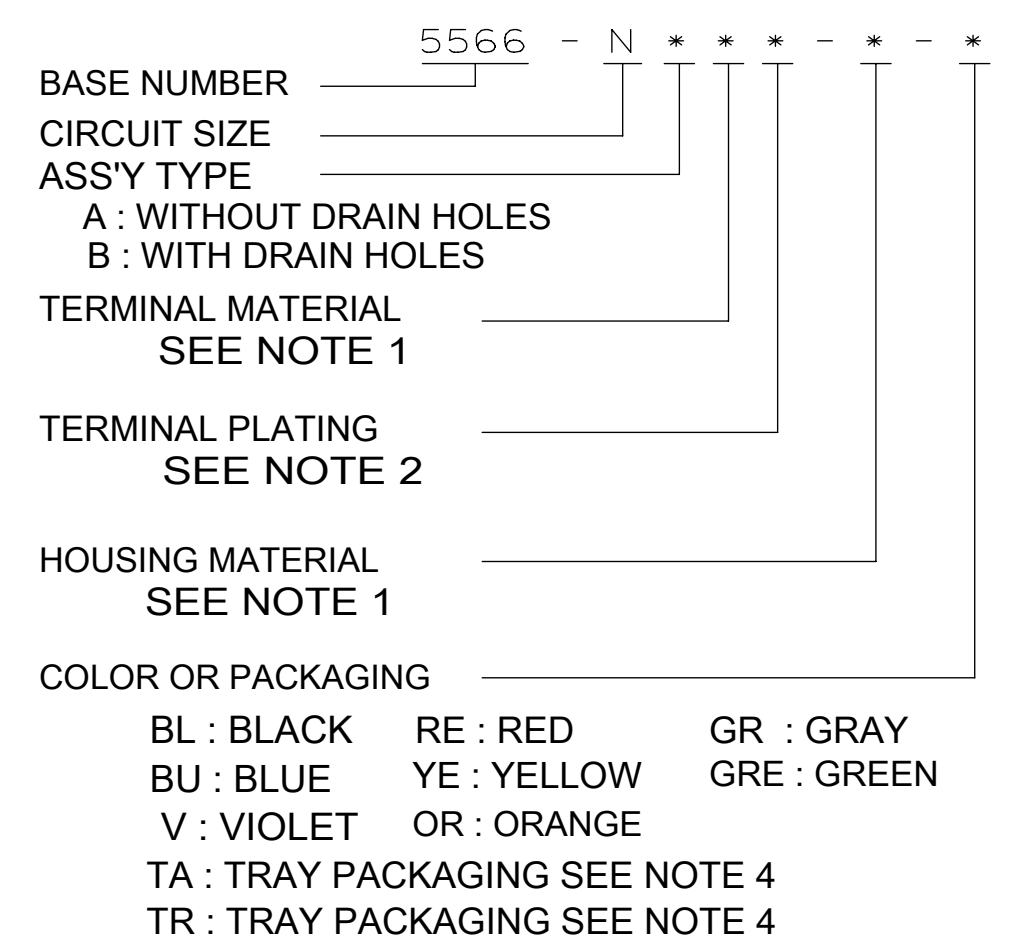


CIRCUIT SIZE LAYOUT



- NOTES:
- MATERIALS:
HOUSING:
"BLANK"=NYLON 6/6, UL94V-2, COLOR: NATURAL
"210"=NYLON 6/6, UL94V-0, COLOR: NATURAL
"400"=NYLON 6/6, UL94V-0, COLOR: BLACK
TERMINALS:
"BLANK" = BRASS
"PB" = PHOSPHOR BRONZE
 - TERMINAL PLATING:
"BLANK" = REFLOWED MATTE TIN .000035/(0.00090) MIN.
OVER COPPER .000020/(0.00050) MIN. (BRASS) (PREPLATE)
OR REFLOWED MATTE TIN .000035/(0.00090) MIN. (PHOSPHOR BRONZE) (PREPLATE)
(FINISH IS BRIGHT IN APPEARANCE, THICKNESS AS APPLIED PRIOR TO REFLOW)
"S"=.000100/(0.00254) MIN. BRIGHT TIN OVER
.000050/(0.00127) MIN NICKEL
"MS"=.000100/(0.00254) MIN. MATTE TIN OVER
.000050/(0.00127) MIN NICKEL
"GS2"=.000015/(0.00038) MIN. SELECT GOLD AND
.000100/(0.00254) MIN. SELECT MATTE TIN
OVER .000050/(0.00127) MIN. NICKEL OVERALL
"GS"=.000030/(0.00076) MIN. SELECT GOLD AND
.000100/(0.00254) MIN. SELECT MATTE TIN
OVER .000050/(0.00127) MIN. NICKEL OVERALL
 - PRODUCT SPECIFICATION: PS-5556-001
 - PACKAGING: "BLANK"= BULK PACKED,
"TA"=TRAY PACK PER PK-5566-001, "TR"=TRAY PACK PER PK-5566
 - PART MATES WITH MINI-FIT JR. RECEPTACLE NO. 5557.
 - PART IS NOT DESIGNED FOR CURRENT SHARING.
 - PARTS ARE NOT DESIGNED TO BE MATED OR UN-MATED
WHILE CIRCUITS ARE LIVE.
 - ANTI-SHINGLING RIB MAY OR MAY NOT APPEAR ON HOUSINGS.
 - PART CONFORMS TO CLASS "B" REQUIREMENTS OF COSMETIC SPECIFICATION PS-45499-002.
 - TEXT ON PART IS FOR REFERENCE ONLY. TEXT AND TEXT LOCATION MAY VARY DEPENDING ON PART NUMBER AND/OR TOOL.

LEGEND



QUALITY SYMBOLS		THIS DRAWING CONTAINS INFORMATION THAT IS PROPRIETARY TO MOLEX ELECTRONIC TECHNOLOGIES, LLC AND SHOULD NOT BE USED WITHOUT WRITTEN PERMISSION		DIMENSION UNITS		SCALE					
SYMBOL	VALUE	MM	INCH	IN/MM	SCALE	DRWN BY	DATE				
▽	= 0				4:1	H.HIRAMOTO	1989/04/03	MINI FIT JR VERTICAL HEADER ASSEMBLIES WITHOUT PEGS			
▽	= 0					M.FUKUSHIMA	1994/04/20				
▽	= 0					FSMITH	2012/05/04	PRODUCT CUSTOMER DRAWING			
▽	= 0										
▽	= 0							SERIES	MATERIAL NUMBER	CUSTOMER	
▽	= 0							5566	SEE TABLE	GENERAL MARKET	
▽	= 0							DOCUMENT NUMBER	DOC TYPE	DOC PART	SHEET NUMBER
▽	= 0							SD-5566-002	PSD	000	1 OF 5

RELEASE STATUS	RELEASE DATE
12	11

	12	11	10	9	8	7	6	5	4	3	2	1	
				39-30-9245	5566-24AGS2-210	39-29-6248	5566-24AGS-210				39-28-8240	5566-24A-210	24
				39-30-9225	5566-22AGS2-210	39-29-6228	5566-22AGS-210				39-28-8220	-22A-210	22
				39-30-9205	5566-20AGS2-210	39-29-6208	5566-20AGS-210				39-28-8200	-20A-210	20
				39-30-9185	5566-18AGS2-210	39-29-6188	5566-18AGS-210				39-28-8180	-18A-210	18
				39-30-9165	5566-16AGS2-210	39-29-6168	5566-16AGS-210	39-30-6162	5566-16AS-210		39-28-8160	-16A-210	16
				39-30-9145	5566-14AGS2-210	39-29-6148	5566-14AGS-210				39-28-8140	-14A-210	14
				39-30-9125	5566-12AGS2-210	39-29-6128	5566-12AGS-210				39-28-8120	-12A-210	12
				39-30-9105	5566-10AGS2-210	39-29-6108	5566-10AGS-210				39-28-8100	-10A-210	10
				39-30-9085	5566-08AGS2-210	39-29-6088	5566-08AGS-210	39-30-6082	5566-08AS-210		39-28-8080	-08A-210	8
				39-30-9065	5566-06AGS2-210	39-29-6068	5566-06AGS-210	39-30-6062	5566-06AS-210		39-28-8060	-06A-210	6
				39-30-9045	5566-04AGS2-210	39-29-6048	5566-04AGS-210	39-30-6042	5566-04AS-210		39-28-8040	-04A-210	4
				39-30-9025	5566-02AGS2-210	39-29-6028	5566-02AGS-210				39-28-8020	5566-02A-210	2
	EDP NO.	ENG. NO.	EDP NO.	ENG. NO.	EDP NO.	ENG. NO.	EDP NO.	ENG. NO.	EDP NO.	ENG. NO.	EDP NO.	ENG. NO.	CKT. SIZE
	5566-NAPB-210		5566-NAGS2-210		5566-NAGS-210		5566-NAS-210		5566-NA-210				
	39-29-5246	5566-24APB	39-30-9244	5566-24AGS2	39-29-0243	5566-24AGS					39-28-1243	5566-24A	24
			39-30-9224	5566-22AGS2	39-29-0223	5566-22AGS					39-28-1223	5566-22A	22
			39-30-9204	5566-20AGS2	39-29-0203	5566-20AGS					39-28-1203	5566-20A	20
			39-30-9184	5566-18AGS2	39-29-0183	5566-18AGS					39-28-1183	5566-18A	18
			39-30-9164	5566-16AGS2	39-29-0163	5566-16AGS					39-28-1163	5566-16A	16
	39-29-5146	5566-14APB	39-30-9144	5566-14AGS2	39-29-0143	5566-14AGS					39-28-1143	5566-14A	14
			39-30-9124	5566-12AGS2	39-29-0123	5566-12AGS					39-28-1123	5566-12A	12
	39-29-5106	5566-10APB	39-30-9104	5566-10AGS2	39-29-0103	5566-10AGS	39-30-6101	5566-10AS			39-28-1103	5566-10A	10
	39-29-5086	5566-08APB	39-30-9084	5566-08AGS2	39-29-0083	5566-08AGS	39-30-6081	5566-08AS			39-28-1083	5566-08A	8
	39-29-5066	5566-06APB	39-30-9064	5566-06AGS2	39-29-0063	5566-06AGS					39-28-1063	5566-06A	6
	39-29-5046	5566-04APB	39-30-9044	5566-04AGS2	39-29-0043	5566-04AGS					39-28-1043	5566-04A	4
	39-29-5026	5566-02APB	39-30-9024	5566-02AGS2	39-29-0023	5566-02AGS					39-28-1023	5566-02A	2
	EDP NO.	ENG. NO.	EDP NO.	ENG. NO.	EDP NO.	ENG. NO.	EDP NO.	ENG. NO.	EDP NO.	ENG. NO.	EDP NO.	ENG. NO.	CKT. SIZE
	5566-NAPB		5566-NAGS2		5566-NAGS		5566-NAS		5566-NA				

PARTS WITHOUT DRAIN HOLES

QUALITY SYMBOLS 	THIS DRAWING CONTAINS INFORMATION THAT IS PROPRIETARY TO MOLEX ELECTRONIC TECHNOLOGIES, LLC AND SHOULD NOT BE USED WITHOUT WRITTEN PERMISSION																														
	ADD PINS EC NO: 120605 DRWN: ZHARPER CHKD: JBELL REV: APPR: FSMITH	GENERAL TOLERANCES (UNLESS SPECIFIED) <table border="1"> <tr> <th></th> <th>MM</th> <th>INCH</th> </tr> <tr> <td>4 PLACES</td> <td>±</td> <td>±</td> </tr> <tr> <td>3 PLACES</td> <td>±</td> <td>± 0.005</td> </tr> <tr> <td>2 PLACES</td> <td>± 0.13</td> <td>± 0.01</td> </tr> <tr> <td>1 PLACES</td> <td>± 0.25</td> <td>±</td> </tr> <tr> <td>0 PLACES</td> <td>±</td> <td>±</td> </tr> </table>					MM	INCH	4 PLACES	±	±	3 PLACES	±	± 0.005	2 PLACES	± 0.13	± 0.01	1 PLACES	± 0.25	±	0 PLACES	±	±	DIMENSION UNITS IN/MM		SCALE 1:1					
			MM	INCH																											
		4 PLACES	±	±																											
		3 PLACES	±	± 0.005																											
		2 PLACES	± 0.13	± 0.01																											
		1 PLACES	± 0.25	±																											
		0 PLACES	±	±																											
		DRWN BY H.HIRAMOTO		DATE 1989/04/03																											
		CHK'D BY M.FUKUSHIMA		DATE 1994/04/20		MINI FIT JR VERTICAL HEADER ASSEMBLIES WITHOUT PEGS																									
APPR BY FSMITH		DATE 2012/05/04																													
ANGULAR TOL = 0.5				DRAWING SIZE C		THIRD ANGLE PROJECTION 		PRODUCT CUSTOMER DRAWING																							
DRAFT WHERE APPLICABLE MUST REMAIN WITHIN DIMENSIONS				DOCUMENT NUMBER SD-5566-002		SERIES 5566		MATERIAL NUMBER SEE TABLE		CUSTOMER GENERAL MARKET																					
				DOC TYPE PSD		DOC PART 000		SHEET NUMBER 2 OF 5																							

COLORED PART NUMBERS

						24
						22
						20
46999-0085	5566-18AS-RE					18
						16
						14
						12
				46999-0087	5566-10AS-V	10
		46999-0089	5566-08AS-OR			8
						6
						4
						2
EDP. NO.	ENG. NO.	EDP. NO.	ENG. NO.	EDP. NO.	ENG. NO.	CKT. SIZE
5566-NAS-RE		5566-NAS-OR		5566-NAS-V		

TRAY PACKED PER TA Δ 4	46999-0575	5566-24AMS-400	TRAY PACKED PER TA Δ 4							24		
	46999-0574	5566-22AMS-400									22	
	46999-0573	5566-20AMS-400									20	
	46999-0572	5566-18AMS-400									18	
	46999-0571	5566-16AMS-400									16	
	46999-0570	5566-14AMS-400									14	
	46999-0569	5566-12AMS-400									12	
	46999-0568	5566-10AMS-400		46999-0876	5566-10AMS-RE					39-33-0108	5566-10A-400	10
	46999-0567	5566-08AMS-400				46999-0091	5566-08AS-GRE					8
	46999-0566	5566-06AMS-400										6
	46999-0565	5566-04AMS-400										4
	46999-0564	5566-02AMS-400				50-36-2485	5566-02AS-GRE	39-34-5023	5566-02A-210-YE			2
EDP. NO.	ENG. NO.	EDP. NO.	ENG. NO.	EDP. NO.	ENG. NO.	EDP. NO.	ENG. NO.	EDP. NO.	ENG. NO.	CKT. SIZE		
5566-NAMS-400		5566-NAMS-RE		5566-NAS-GRE		5566-NA-210-YE		5566-NA-400				
										24		
										22		
										20		
										18		
										16		
39-33-3145	5566-14A-GR							39-33-3143	5566-14A-BL	14		
										12		
				39-33-3106	5566-10A-RE	39-33-3104	5566-10A-BU			10		
				39-33-3087	5566-08A-YE	39-33-3086	5566-08A-RE			8		
				39-33-3067	5566-06A-YE	39-33-3066	5566-06A-RE	39-33-3064	5566-06A-BU	6		
						39-33-3046	5566-04A-RE	39-33-3044	5566-04A-BU	4		
				39-33-3027	5566-02A-YE	39-33-3026	5566-02A-RE	39-33-3024	5566-02A-BU	2		
EDP. NO.	ENG. NO.	EDP. NO.	ENG. NO.	EDP. NO.	ENG. NO.	EDP. NO.	ENG. NO.	EDP. NO.	ENG. NO.	CKT. SIZE		
5566-NA-GR		5566-NA-YE		5566-NA-RE		5566-NA-BU		5566-NA-BL				

PARTS WITHOUT DRAIN HOLES

THIS DRAWING CONTAINS INFORMATION THAT IS PROPRIETARY TO MOLEX ELECTRONIC TECHNOLOGIES, LLC AND SHOULD NOT BE USED WITHOUT WRITTEN PERMISSION												
QUALITY SYMBOLS		GENERAL TOLERANCES (UNLESS SPECIFIED)				DIMENSION UNITS		SCALE		molex		
∇ = 0	∇ = 0	MM		INCH		IN/MM		1:1				
∇ = 0	∇ = 0	4 PLACES \pm		\pm		DRWN BY		DATE		MINI FIT JR VERTICAL HEADER ASSEMBLIES WITHOUT PEGS		
∇ = 0	∇ = 0	3 PLACES \pm		± 0.005		H.HIRAMOTO		1989/04/03				
∇ = 0	∇ = 0	2 PLACES \pm		± 0.13		CHK'D BY		DATE		PRODUCT CUSTOMER DRAWING		
∇ = 0	∇ = 0	1 PLACES \pm		± 0.25		M.FUKUSHIMA		1994/04/20				
∇ = 0	∇ = 0	0 PLACES \pm		\pm		APPR BY		DATE		SERIES MATERIAL NUMBER CUSTOMER		
∇ = 0	∇ = 0	ANGULAR TOL = 0.5				FSMITH		2012/05/04				
∇ = 0	∇ = 0	DRAFT WHERE APPLICABLE MUST REMAIN WITHIN DIMENSIONS				DRAWING SIZE		THIRD ANGLE PROJECTION		5566 SEE TABLE GENERAL MARKET		
∇ = 0	∇ = 0					C				DOCUMENT NUMBER SD-5566-002 DOC TYPE PSD DOC PART 000 SHEET NUMBER 4 OF 5		

Looking for pricing, stock, or lifecycle information?

Click below to explore more details on WIN SOURCE:

 [View 39281083 on WIN SOURCE](#)

 [Molex, LLC Information](#)

Optimize Your Supply Chain with WIN SOURCE Solutions

-  Global Sourcing Solution
-  Obsolete Management
-  Cost Control Management
-  Shortage Management
-  Alternative Solution
-  Excess Inventory Management