

10-Pin, 24-Bit, 192 kHz Stereo D/A Converter

Features

- ◆ Multi-bit Delta-Sigma Modulator
- ◆ 24-bit Conversion
- ◆ Automatically Detects Sample Rates up to 192 kHz.
- ◆ 105 dB Dynamic Range
- ◆ -90 dB THD+N
- ◆ Low Clock-Jitter Sensitivity
- ◆ Single +3.3 or +5 V Power Supply
- ◆ Filtered Line-Level Outputs
- ◆ On-chip Digital De-emphasis
- ◆ Popguard® Technology
- ◆ Small 10-pin TSSOP Package

Description

The CS4344 family members (CS4344, CS4345, and CS4348) are complete, stereo digital-to-analog output systems including interpolation, multibit D/A conversion and output analog filtering in a 10-pin package. The CS4344 family supports major audio data interface formats. Individual devices differ only in the supported interface format.

The CS4344 family is based on a fourth-order multibit delta-sigma modulator with a linear analog low-pass filter. This family also includes autospeed mode detection using both sample rate and master clock ratio as a method of auto-selecting sampling rates between 2 kHz and 200 kHz.

The CS4344 family contains on-chip digital deemphasis, operates from a single +3.3 V or +5 V power supply, and requires minimal support circuitry. These features are ideal for DVD players & recorders, digital televisions, home theater and set top box products, and automotive audio systems.

The CS4344 family is available in a 10-pin TSSOP package in both Commercial (-10 to +85 °C) and Automotive grades (-40 to +85 °C). See [Section 8. "Ordering Information"](#) on [page 23](#) for complete details.

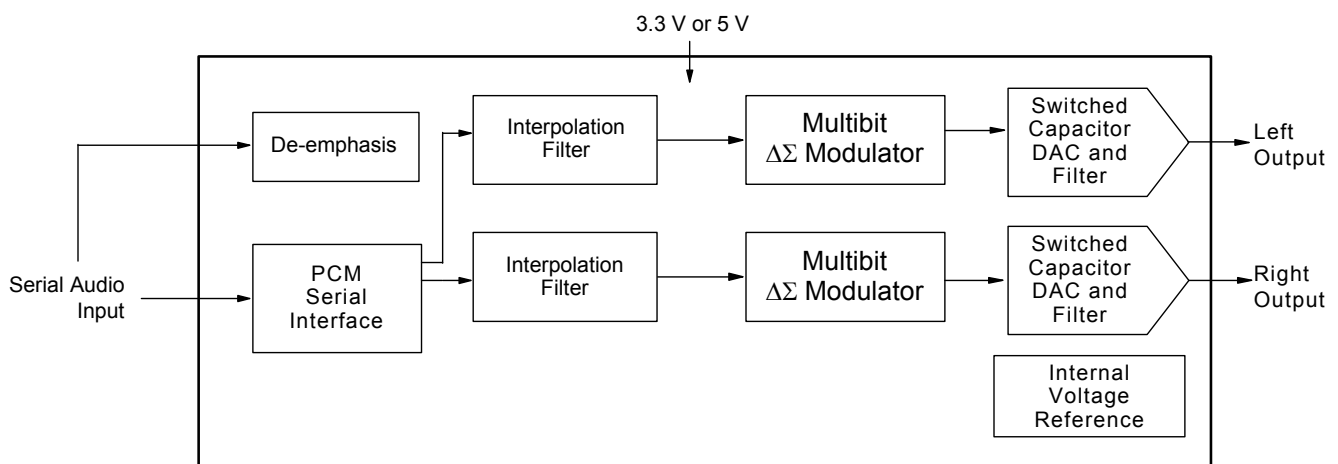


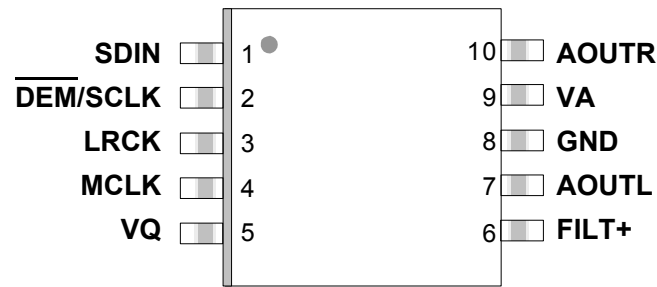
TABLE OF CONTENTS

| | |
|---|-----------|
| 1. PIN DESCRIPTIONS | 4 |
| 2. CHARACTERISTICS AND SPECIFICATIONS | 5 |
| SPECIFIED OPERATING CONDITIONS | 5 |
| ABSOLUTE MAXIMUM RATINGS | 5 |
| DAC ANALOG CHARACTERISTICS | 6 |
| DAC ANALOG CHARACTERISTICS - ALL MODES | 6 |
| COMBINED INTERPOLATION & ON-CHIP ANALOG FILTER RESPONSE | 7 |
| DIGITAL INPUT CHARACTERISTICS | 8 |
| POWER AND THERMAL CHARACTERISTICS | 8 |
| SWITCHING CHARACTERISTICS - SERIAL AUDIO INTERFACE | 9 |
| 3. TYPICAL CONNECTION DIAGRAM | 11 |
| 4. APPLICATIONS | 12 |
| 4.1 Master Clock | 12 |
| 4.2 Serial Clock | 12 |
| 4.2.1 External Serial Clock Mode | 12 |
| 4.2.2 Internal Serial Clock Mode | 12 |
| 4.3 De-Emphasis | 15 |
| 4.4 Initialization and Power-Down | 15 |
| 4.5 Output Transient Control | 15 |
| 4.5.1 Power-Up | 15 |
| 4.5.2 Power-Down | 15 |
| 4.6 Grounding and Power Supply Decoupling | 17 |
| 4.7 Analog Output and Filtering | 17 |
| 5. FILTER PLOTS | 18 |
| 6. PARAMETER DEFINITIONS | 21 |
| 7. PACKAGE DIMENSIONS | 22 |
| 8. ORDERING INFORMATION | 23 |
| 8.1 Functional Compatibility | 23 |
| 8.2 Selection Guide | 23 |
| 9. REVISION HISTORY | 24 |

LIST OF FIGURES

| | |
|--|----|
| Figure 1. Output Test Load | 8 |
| Figure 2. Maximum Loading | 8 |
| Figure 3. External Serial Mode Input Timing | 10 |
| Figure 4. Internal Serial Mode Input Timing | 10 |
| Figure 5. Internal Serial Clock Generation | 10 |
| Figure 6. Typical Connection Diagram | 11 |
| Figure 7. CS4344 Data Format (I ² S) | 13 |
| Figure 8. CS4345 Data Format (Left Justified) | 13 |
| Figure 9. CS4348 Data Format (Right Justified 16) | 14 |
| Figure 10. De-Emphasis Curve (Fs = 44.1kHz) | 15 |
| Figure 11. CS4344/5/8 Initialization and Power-down Sequence | 16 |
| Figure 12. Single-Speed Stopband Rejection | 18 |
| Figure 13. Single-Speed Transition Band | 18 |
| Figure 14. Single-Speed Transition Band | 18 |
| Figure 15. Single-Speed Passband Ripple | 18 |
| Figure 16. Double-Speed Stopband Rejection | 19 |
| Figure 17. Double-Speed Transition Band | 19 |
| Figure 18. Double-Speed Transition Band | 19 |
| Figure 19. Double-Speed Passband Ripple | 19 |
| Figure 20. Quad-Speed Stopband Rejection | 20 |
| Figure 21. Quad-Speed Transition Band | 20 |
| Figure 22. Quad-Speed Transition Band | 20 |
| Figure 23. Quad-Speed Passband Ripple | 20 |

1. PIN DESCRIPTIONS



| Pin Name | # | Pin Description |
|----------|----|---|
| SDIN | 1 | Serial Audio Data Input (<i>Input</i>) - Input for two's complement serial audio data. |
| DEM/SCLK | 2 | De-Emphasis/External Serial Clock Input (<i>Input</i>) - used for deemphasis filter control or external serial clock input. |
| LRCK | 3 | Left Right Clock (<i>Input</i>) - Determines which channel, Left or Right, is currently active on the serial audio data line. |
| MCLK | 4 | Master Clock (<i>Input</i>) - Clock source for the delta-sigma modulator and digital filters. |
| VQ | 5 | Quiescent Voltage (<i>Output</i>) - Filter connection for internal quiescent voltage. |
| FILT+ | 6 | Positive Voltage Reference (<i>Output</i>) - Positive reference voltage for the internal sampling circuits. |
| AOUTL | 7 | Left Channel Analog Output (<i>Output</i>) - The full scale analog output level is specified in the Analog Characteristics specification table. |
| GND | 8 | Ground (<i>Input</i>) - ground reference. |
| VA | 9 | Analog Power (<i>Input</i>) - Positive power for the analog and digital sections. |
| AOUTR | 10 | Right Channel Analog Output (<i>Output</i>) - The full scale analog output level is specified in the Analog Characteristics specification table. |

2. CHARACTERISTICS AND SPECIFICATIONS

(All Min/Max characteristics and specifications are guaranteed over the Specified Operating Conditions. Typical performance characteristics and specifications are derived from measurements taken at nominal supply voltage and $T_A = 25^\circ\text{C}$.)

SPECIFIED OPERATING CONDITIONS

(AGND = 0 V; all voltages with respect to ground.)

| Parameters | Symbol | Min | Nom | Max | Units |
|-----------------------------|----------------|------|-----|------|-------|
| DC Power Supply | VA | 4.75 | 5.0 | 5.25 | V |
| | | 3.00 | 3.3 | 3.47 | V |
| Specified Temperature Range | T _A | -10 | - | +70 | °C |
| | | -40 | - | +85 | °C |

ABSOLUTE MAXIMUM RATINGS

(AGND = 0 V; all voltages with respect to ground.)

| Parameters | Symbol | Min | Max | Units |
|---|------------------|------|--------|-------|
| DC Power Supply | VA | -0.3 | 6.0 | V |
| Input Current, Any Pin Except Supplies | I _{in} | - | ±10 | mA |
| Digital Input Voltage | V _{IND} | -0.3 | VA+0.4 | V |
| Ambient Operating Temperature (power applied) | T _{op} | -55 | 125 | °C |
| Storage Temperature | T _{stg} | -65 | 150 | °C |

WARNING: Operation at or beyond these limits may result in permanent damage to the device. Normal operation is not guaranteed at these extremes.

DAC ANALOG CHARACTERISTICS

(Full-Scale Output Sine Wave, 997 Hz (Note 1), $F_s = 48/96/192$ kHz; Test load $R_L = 3$ k Ω , $C_L = 10$ pF (Figure 1). Measurement Bandwidth 10 Hz to 20 kHz, unless otherwise specified.)

| Parameter | | | 5 V Nom | | | 3.3 V Nom | | | Unit |
|---|--------------|------------|---------|-----|-----|-----------|-----|-----|------|
| | | | Min | Typ | Max | Min | Typ | Max | |
| Dynamic Performance for CS4344/5/8-CZZ (-10 to 70°C) | | | | | | | | | |
| Dynamic Range | 18 to 24-Bit | A-weighted | 99 | 105 | - | 97 | 103 | - | dB |
| | | unweighted | 96 | 102 | - | 94 | 100 | - | dB |
| | 16-Bit | A-weighted | 90 | 96 | - | 90 | 96 | - | dB |
| | | unweighted | 87 | 93 | - | 87 | 93 | - | dB |
| Total Harmonic Distortion + Noise | | | | | | | | | |
| Total Harmonic Distortion + Noise | 18 to 24-Bit | 0 dB | - | -90 | -85 | - | -90 | -85 | dB |
| | | -20 dB | - | -82 | -76 | - | -80 | -74 | dB |
| | | -60 dB | - | -42 | -36 | - | -40 | -34 | dB |
| | 16-Bit | 0 dB | - | -90 | -84 | - | -90 | -84 | dB |
| | | -20 dB | - | -73 | -67 | - | -73 | -67 | dB |
| | | -60 dB | - | -33 | -27 | - | -33 | -27 | dB |
| Dynamic Performance for CS4344/5-DZZ (-40 to 85°C) | | | | | | | | | |
| Dynamic Range | 18 to 24-Bit | A-weighted | 95 | 105 | - | 93 | 103 | - | dB |
| | | unweighted | 92 | 102 | - | 90 | 100 | - | dB |
| | 16-Bit | A-weighted | 86 | 96 | - | 86 | 96 | - | dB |
| | | unweighted | 83 | 93 | - | 83 | 93 | - | dB |
| Total Harmonic Distortion + Noise | | | | | | | | | |
| Total Harmonic Distortion + Noise | 18 to 24-Bit | 0 dB | - | -90 | -82 | - | -90 | -82 | dB |
| | | -20 dB | - | -82 | -72 | - | -80 | -70 | dB |
| | | -60 dB | - | -42 | -32 | - | -40 | -30 | dB |
| | 16-Bit | 0 dB | - | -90 | -82 | - | -90 | -82 | dB |
| | | -20 dB | - | -73 | -63 | - | -73 | -63 | dB |
| | | -60 dB | - | -33 | -23 | - | -33 | -23 | dB |

Notes:

- One LSB of triangular PDF dither added to data.

DAC ANALOG CHARACTERISTICS - ALL MODES

| Parameter | Symbol | Min | Typ | Max | Unit |
|---|--------------|---------|---------|---------|-----------------|
| Interchannel Isolation (1 kHz) | | - | 100 | - | dB |
| DC Accuracy | | | | | |
| Interchannel Gain Mismatch | | - | 0.1 | 0.25 | dB |
| Gain Drift | | - | 100 | - | ppm/°C |
| Analog Output | | | | | |
| Full Scale Output Voltage | | 0.60•VA | 0.65•VA | 0.70•VA | V _{pp} |
| Quiescent Voltage | V_Q | - | 0.5•VA | - | VDC |
| Max DC Current draw from an AOUT pin | I_{OUTmax} | - | 10 | - | μ A |
| Max Current draw from VQ | I_{Qmax} | - | 100 | - | μ A |
| Max AC-Load Resistance (see Figure 2 on page 8) | R_L | - | 3 | - | k Ω |
| Max Load Capacitance (see Figure 2 on page 8) | C_L | - | 100 | - | pF |
| Output Impedance | Z_{OUT} | - | 100 | - | Ω |

COMBINED INTERPOLATION & ON-CHIP ANALOG FILTER RESPONSE

(The filter characteristics have been normalized to the sample rate (Fs) and can be referenced to the desired sample rate by multiplying the given characteristic by Fs.) See (Note 6)

| Parameter | Symbol | Min | Typ | Max | Unit |
|--|--------------------------------------|-------|--------|------------|------|
| Combined Digital and On-chip Analog Filter Response—Single-Speed Mode | | | | | |
| Passband (Note 2) | to -0.1 dB corner to -3 dB corner | 0 | - | .35 | Fs |
| | | 0 | - | .4992 | Fs |
| Frequency Response 10 Hz to 20 kHz | | -.175 | - | +.01 | dB |
| StopBand | | .5465 | - | - | Fs |
| StopBand Attenuation (Note 3) | | 50 | - | - | dB |
| Group Delay | tgδ | - | 10/Fs | - | s |
| De-emphasis Error (Note 5) | Fs = 32 kHz | - | - | +1.5/+0 | dB |
| | Fs = 44.1 kHz | - | - | +.05/- .25 | dB |
| | Fs = 48 kHz | - | - | -.2/- .4 | dB |
| Combined Digital and On-chip Analog Filter Response—Double-Speed Mode | | | | | |
| Passband (Note 2) | to +0.1 dB corner to -3 dB corner | 0 | - | .22 | Fs |
| | | 0 | - | .501 | Fs |
| Frequency Response 10 Hz to 20 kHz | | -.15 | - | +.15 | dB |
| StopBand | | .5770 | - | - | Fs |
| StopBand Attenuation (Note 3) | | 55 | - | - | dB |
| Group Delay | tgδ | - | 5/Fs | - | s |
| Combined Digital and On-chip Analog Filter Response—Quad-Speed Mode | | | | | |
| Passband (Note 2) | to -0.1 dB corner to -3 dB corner | 0 | - | 0.110 | Fs |
| | | 0 | - | 0.469 | Fs |
| Frequency Response 10 Hz to 20 kHz | | -.12 | - | +0 | dB |
| StopBand | | 0.7 | - | - | Fs |
| StopBand Attenuation (Note 3) | | 51 | - | - | dB |
| Group Delay | tgδ | - | 2.5/Fs | - | s |

Notes:

- Response is clock dependent and will scale with Fs.
- For Single-Speed Mode, the Measurement Bandwidth is 0.5465 Fs to 3 Fs.
For Double-Speed Mode, the Measurement Bandwidth is 0.577 Fs to 1.4 Fs.
For Quad-Speed Mode, the Measurement Bandwidth is 0.7 Fs to 1 Fs.
- Refer to [Figure 2](#).
- De-emphasis is available only in Single-Speed Mode.
- Amplitude vs. Frequency plots of this data are available in [“Filter Plots” on page 18](#).

DIGITAL INPUT CHARACTERISTICS

| Parameters | | Symbol | Min | Typ | Max | Units |
|--------------------------|-----------|----------|-----|-----|-----|-------|
| High-Level Input Voltage | (% of VA) | V_{IH} | 60% | - | - | V |
| Low-Level Input Voltage | (% of VA) | V_{IL} | - | - | 30% | V |
| Input Leakage Current | (Note 7) | I_{in} | - | - | ±10 | μA |
| Input Capacitance | | | - | 8 | - | pF |

7. I_{in} for LRCK is ±20 μA max.

POWER AND THERMAL CHARACTERISTICS

| Parameters | Symbol | 5 V Nom | | | 3.3 V Nom | | | Units | |
|---------------------------------------|---------------------------|---------------|-----|-----|-----------|-----|------|-------|---------|
| | | Min | Typ | Max | Min | Typ | Max | | |
| Power Supplies | | | | | | | | | |
| Power Supply Current | normal operation | I_A | - | 22 | 30 | - | 16 | 21 | mA |
| | power-down state (Note 9) | I_A | - | 220 | - | - | 100 | - | μA |
| Power Dissipation | normal operation | | - | 110 | 150 | - | 53 | 69 | mW |
| | power-down state (Note 9) | | - | 1.1 | - | - | 0.33 | - | mW |
| Package Thermal Resistance | | θ_{JA} | - | 95 | - | - | 95 | - | °C/Watt |
| Power Supply Rejection Ratio (Note 8) | (1 kHz) | PSRR | - | 50 | - | - | 50 | - | dB |
| | (60 Hz) | | - | 40 | - | - | 40 | - | dB |

- Current consumption increases with increasing FS and increasing MCLK. Typ and Max values are based on highest FS and highest MCLK. Variance between speed modes is small.
- Power down mode is defined when all clock and data lines are held static.
- Valid with the recommended capacitor values on VQ and FILT+ as shown in the typical connection diagram in Section 3.

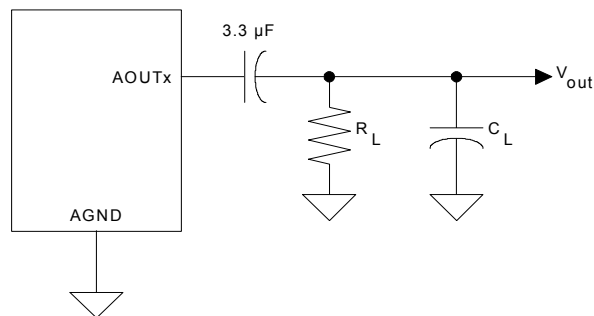


Figure 1. Output Test Load

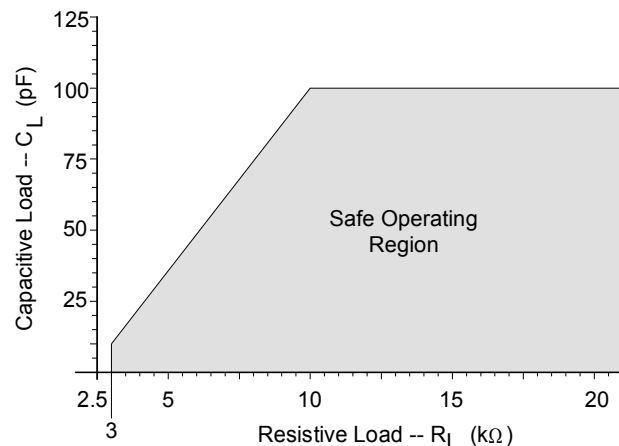


Figure 2. Maximum Loading

SWITCHING CHARACTERISTICS - SERIAL AUDIO INTERFACE

| Parameters | Symbol | Min | Typ | Max | Units |
|---|-------------------------------|-----------------------------|----------------------|-----|-------|
| MCLK Frequency | | 0.512 | - | 50 | MHz |
| MCLK Duty Cycle | | 45 | - | 55 | % |
| Input Sample Rate (Note 11) | All MCLK/LRCK ratios combined | Fs | | 200 | kHz |
| | 256x, 384x, 1024x | | | 50 | kHz |
| | 256x, 384x | | | 134 | kHz |
| | 512x, 768x | | | 67 | kHz |
| | 1152x | | | 34 | kHz |
| | 128x, 192x | | | 100 | kHz |
| | 64x, 96x | | | 200 | kHz |
| 128x, 192x | | | 168 | kHz | |
| External SCLK Mode | | | | | |
| LRCK Duty Cycle (External SCLK only) | | 45 | 50 | 55 | % |
| SCLK Pulse Width Low | t _{sckl} | 20 | - | - | ns |
| SCLK Pulse Width High | t _{sckh} | 20 | - | - | ns |
| SCLK Duty Cycle | | 45 | 50 | 55 | % |
| SCLK rising to LRCK edge delay | t _{slrd} | 20 | - | - | ns |
| SCLK rising to LRCK edge setup time | t _{slrs} | 20 | - | - | ns |
| SDIN valid to SCLK rising setup time | t _{sdlrs} | 20 | - | - | ns |
| SCLK rising to SDIN hold time | t _{sdh} | 20 | - | - | ns |
| Internal SCLK Mode | | | | | |
| LRCK Duty Cycle (Internal SCLK only) | (Note 12) | - | 50 | - | % |
| SCLK Period | (Note 13) t _{sckw} | $\frac{10^9}{SCLK}$ | - | - | ns |
| SCLK rising to LRCK edge | t _{sckr} | - | $\frac{t_{sckw}}{2}$ | - | ns |
| SDIN valid to SCLK rising setup time | t _{sdlrs} | $\frac{10^9}{(512)Fs} + 10$ | - | - | ns |
| SCLK rising to SDIN hold time MCLK / LRCK = 1152, 1024, 512, 256, 128, or 64 | t _{sdh} | $\frac{10^9}{(512)Fs} + 15$ | - | - | ns |
| SCLK rising to SDIN hold time MCLK / LRCK = 768, 384, 192, or 96 | t _{sdh} | $\frac{10^9}{(384)Fs} + 15$ | - | - | ns |

11. Not all sample rates are supported for all clock ratios. See [Table 1, “Common Clock Frequencies,”](#) on [page 12](#) for supported ratio’s and frequencies.

12. In Internal SCLK Mode, the Duty Cycle must be 50% +/- 1/2 MCLK Period.

13. The SCLK / LRCK ratio may be either 32, 48, 64, or 72. This ratio depends on part type and MCLK/LRCK ratio. (See [Figures 7-9](#))

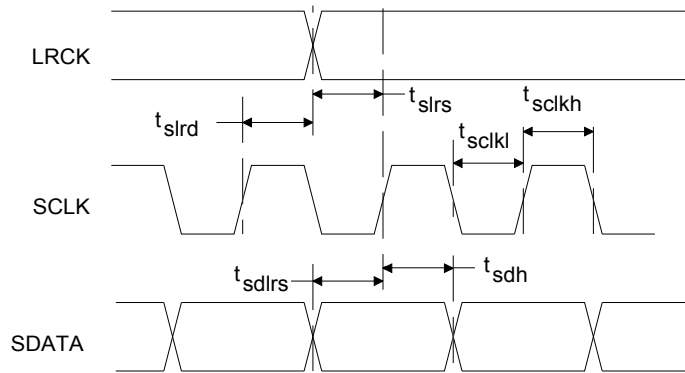
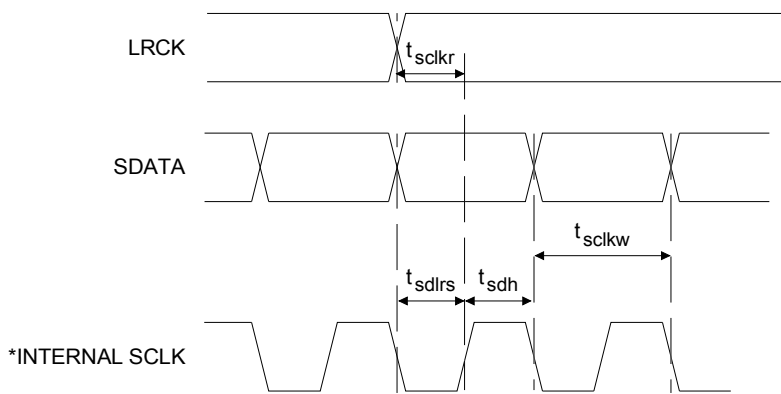
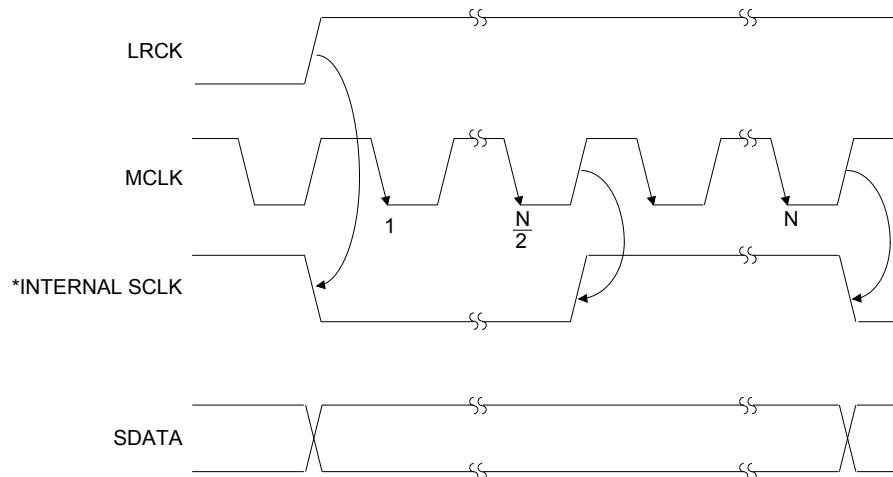


Figure 3. External Serial Mode Input Timing



The SCLK pulses shown are internal to the CS4344/5/8.

Figure 4. Internal Serial Mode Input Timing



* The SCLK pulses shown are internal to the CS4344/5/8.
N equals MCLK divided by SCLK

Figure 5. Internal Serial Clock Generation

3. TYPICAL CONNECTION DIAGRAM

Note* = This circuitry is intended for applications where the CS4344/5/8 connects directly to an unbalanced output of the design. For internal routing applications please see the DAC analog output characteristics for loading limitations.

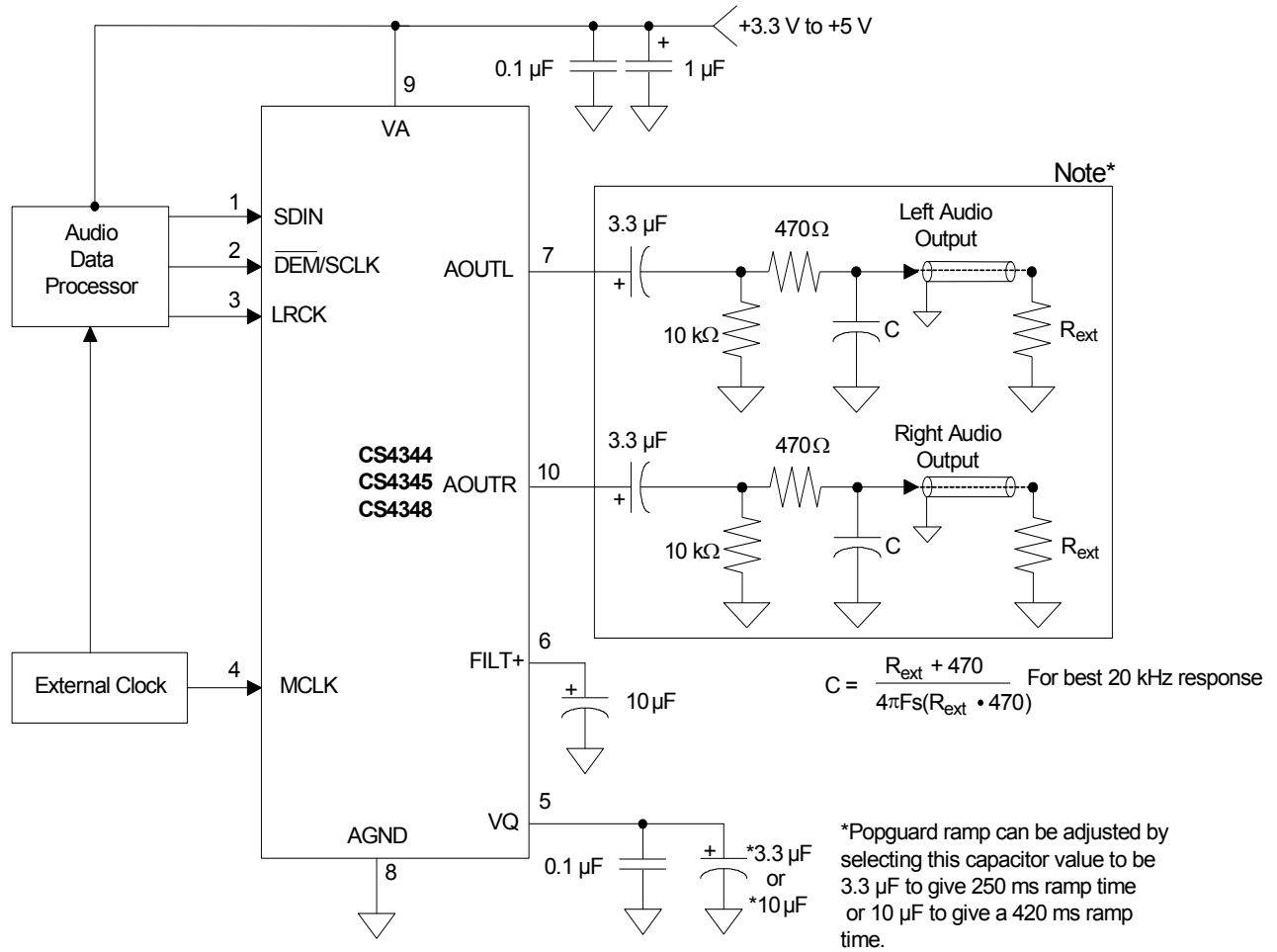


Figure 6. Typical Connection Diagram

4. APPLICATIONS

The CS4344 family accepts data at standard audio sample rates including 48, 44.1 and 32 kHz in SSM, 96, 88.2 and 64 kHz in DSM, and 192, 176.4 and 128 kHz in QSM. Audio data is input via the serial data input pin (SDIN). The Left/Right Clock (LRCK) determines which channel is currently being input on SDIN, and the optional Serial Clock (SCLK) clocks audio data into the input data buffer. The CS4344/5/8 differ in serial data formats as shown in [Figures 7–9](#).

4.1 Master Clock

MCLK/LRCK must be an integer ratio, as shown in [Table 1](#). The LRCK frequency is equal to F_s , the frequency at which words for each channel are input to the device. The MCLK-to-LRCK frequency ratio and speed mode is detected automatically during the initialization sequence by counting the number of MCLK transitions during a single LRCK period and by detecting the absolute speed of MCLK. Internal dividers are set to generate the proper clocks. [Table 1](#) illustrates several standard audio sample rates and the required MCLK and LRCK frequencies. Please note there is no required phase relationship, but MCLK, LRCK and SCLK must be synchronous.

| LRCK (kHz) | MCLK (MHz) | | | | | | | | | |
|------------|------------|---------|---------|---------|---------|---------|---------|---------|---------|---------|
| | 64x | 96x | 128x | 192x | 256x | 384x | 512x | 768x | 1024x | 1152x |
| 32 | - | - | - | - | 8.1920 | 12.2880 | - | - | 32.7680 | 36.8640 |
| 44.1 | - | - | - | - | 11.2896 | 16.9344 | 22.5792 | 33.8680 | 45.1580 | - |
| 48 | - | - | - | - | 12.2880 | 18.4320 | 24.5760 | 36.8640 | 49.1520 | - |
| 64 | - | - | 8.1920 | 12.2880 | - | - | 32.7680 | 49.1520 | - | - |
| 88.2 | - | - | 11.2896 | 16.9344 | 22.5792 | 33.8680 | - | - | - | - |
| 96 | - | - | 12.2880 | 18.4320 | 24.5760 | 36.8640 | - | - | - | - |
| 128 | 8.1920 | 12.2880 | - | - | 32.7680 | 49.1520 | - | - | - | - |
| 176.4 | 11.2896 | 16.9344 | 22.5792 | 33.8680 | - | - | - | - | - | - |
| 192 | 12.2880 | 18.4320 | 24.5760 | 36.8640 | - | - | - | - | - | - |
| Mode | QSM | | | | DSM | | SSM | | | |

Table 1. Common Clock Frequencies

4.2 Serial Clock

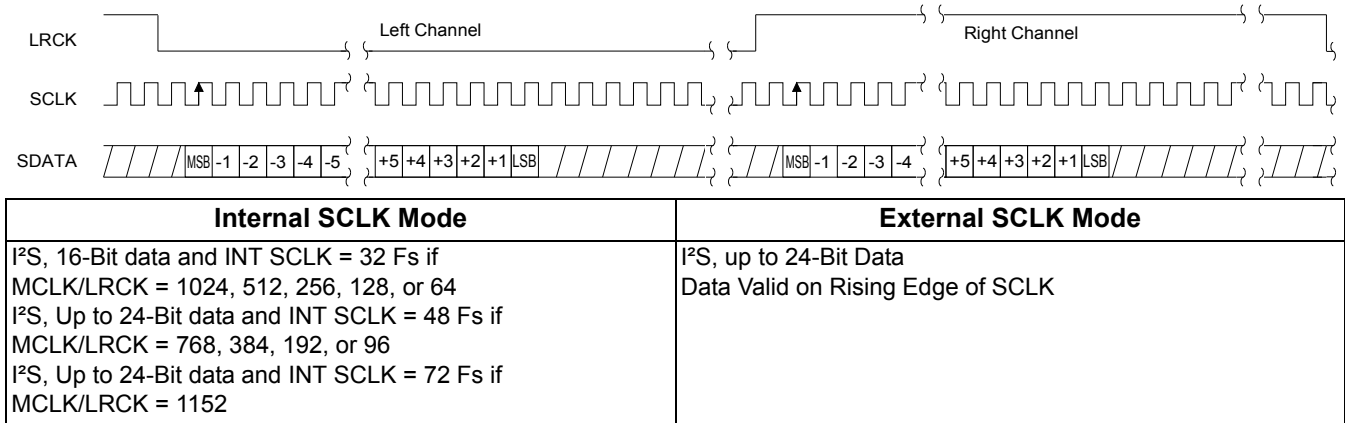
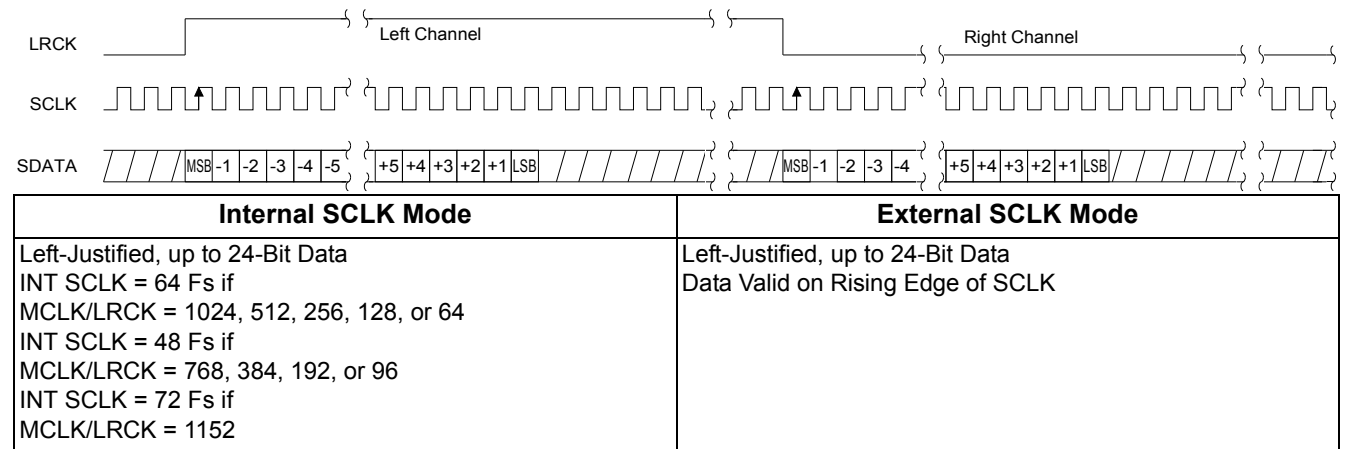
The serial clock controls the shifting of data into the input data buffers. The CS4344 family supports both external and internal serial clock generation modes. Refer to [Figures 7–9](#) for data formats.

4.2.1 External Serial Clock Mode

The CS4344 family will enter the External Serial Clock Mode when 16 low to high transitions are detected on the $\overline{\text{DEM}}/\text{SCLK}$ pin during any phase of the LRCK period. When this mode is enabled, the Internal Serial Clock Mode and deemphasis filter cannot be accessed. The CS4344 family will switch to Internal Serial Clock Mode if no low to high transitions are detected on the $\overline{\text{DEM}}/\text{SCLK}$ pin for 2 consecutive frames of LRCK. Refer to [Figure 11](#).

4.2.2 Internal Serial Clock Mode

In the Internal Serial Clock Mode, the serial clock is internally derived and synchronous with MCLK and LRCK. The SCLK/LRCK frequency ratio is either 32, 48, 64, or 72 depending upon data format. Operation in this mode is identical to operation with an external serial clock synchronized with LRCK. This mode allows access to the digital deemphasis function. Refer to [Figures 7–11](#) for details.


Figure 7. CS4344 Data Format (I²S)

Figure 8. CS4345 Data Format (Left Justified)

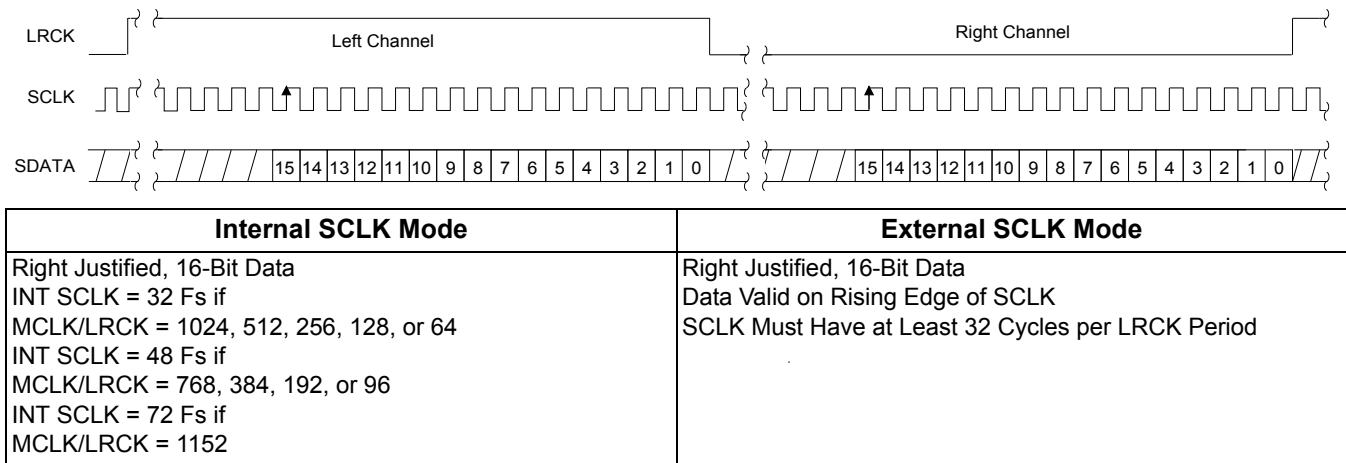


Figure 9. CS4348 Data Format (Right Justified 16)

4.3 De-Emphasis

The CS4344 family includes on-chip digital deemphasis. Figure 10 shows the deemphasis curve for F_s equal to 44.1 kHz. The frequency response of the deemphasis curve will scale proportionally with changes in sample rate, F_s .

The deemphasis filter is active (inactive) if the $\overline{DEM}/SCLK$ pin is low (high) for 5 consecutive falling edges of LRCK. This function is available only in the internal serial clock mode

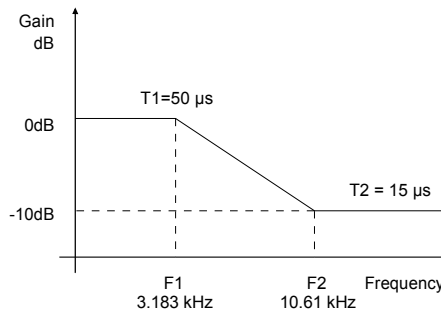


Figure 10. De-Emphasis Curve ($F_s = 44.1\text{kHz}$)

4.4 Initialization and Power-Down

The Initialization and Power-down sequence flow chart is shown in Figure 11. The CS4344 family enters the Power-Down State upon initial power-up. The interpolation filters and delta-sigma modulators are reset, and the internal voltage reference, multi-bit digital-to-analog converters and switched-capacitor low-pass filters are powered down. The device will remain in the Power-down mode until MCLK and LRCK are present. Once MCLK and LRCK are detected, MCLK occurrences are counted over one LRCK period to determine the MCLK/LRCK frequency ratio. Power is then applied to the internal voltage reference. Finally, power is applied to the D/A converters and switched-capacitor filters, and the analog outputs will ramp to the quiescent voltage, VQ.

4.5 Output Transient Control

The CS4344 family uses Popguard® technology to minimize the effects of output transients during power-up and power-down. This technique eliminates the audio transients commonly produced by single-ended single-supply converters when it is implemented with external DC-blocking capacitors connected in series with the audio outputs. To make best use of this feature, it is necessary to understand its operation.

4.5.1 Power-Up

When the device is initially powered-up, the audio outputs, AOUTL and AOUTR, are clamped to VQ which is initially low. After MCLK is applied, the outputs begin to ramp with VQ towards the nominal quiescent voltage. This ramp takes approximately 250 ms with a 3.3 μF cap connected to VQ (420 ms with a 10 μF cap connected to VQ) to complete. The gradual voltage ramping allows time for the external DC-blocking capacitors to charge to VQ, effectively blocking the quiescent DC voltage. Once valid LRCK and SDIN are supplied (and SCLK if used) approximately 2000 sample periods later audio output begins.

4.5.2 Power-Down

To prevent audio transients at power-down, the DC-blocking capacitors must fully discharge before turning off the power. To accomplish this, MCLK should be stopped for a period of about 250 ms for a 3.3 μF cap connected to VQ (420 ms for a 10 μF cap connected to VQ) before removing power. During this time voltage on VQ and the audio outputs discharge gradually to GND. If power is removed before this time period has passed a transient will occur when the VA supply drops below that of VQ. There is no minimum time for a power cycle; power may be re-applied at any time.

When changing clock ratio or sample rate, it is recommended that zero data (or near zero data) be present on SDIN for at least 10 LRCK samples before the change is made. During the clocking change, the DAC outputs will always be in a zero data state. If no zero audio is present at the time of switching, a slight click or pop may be heard as the DAC output automatically goes to its zero data state.

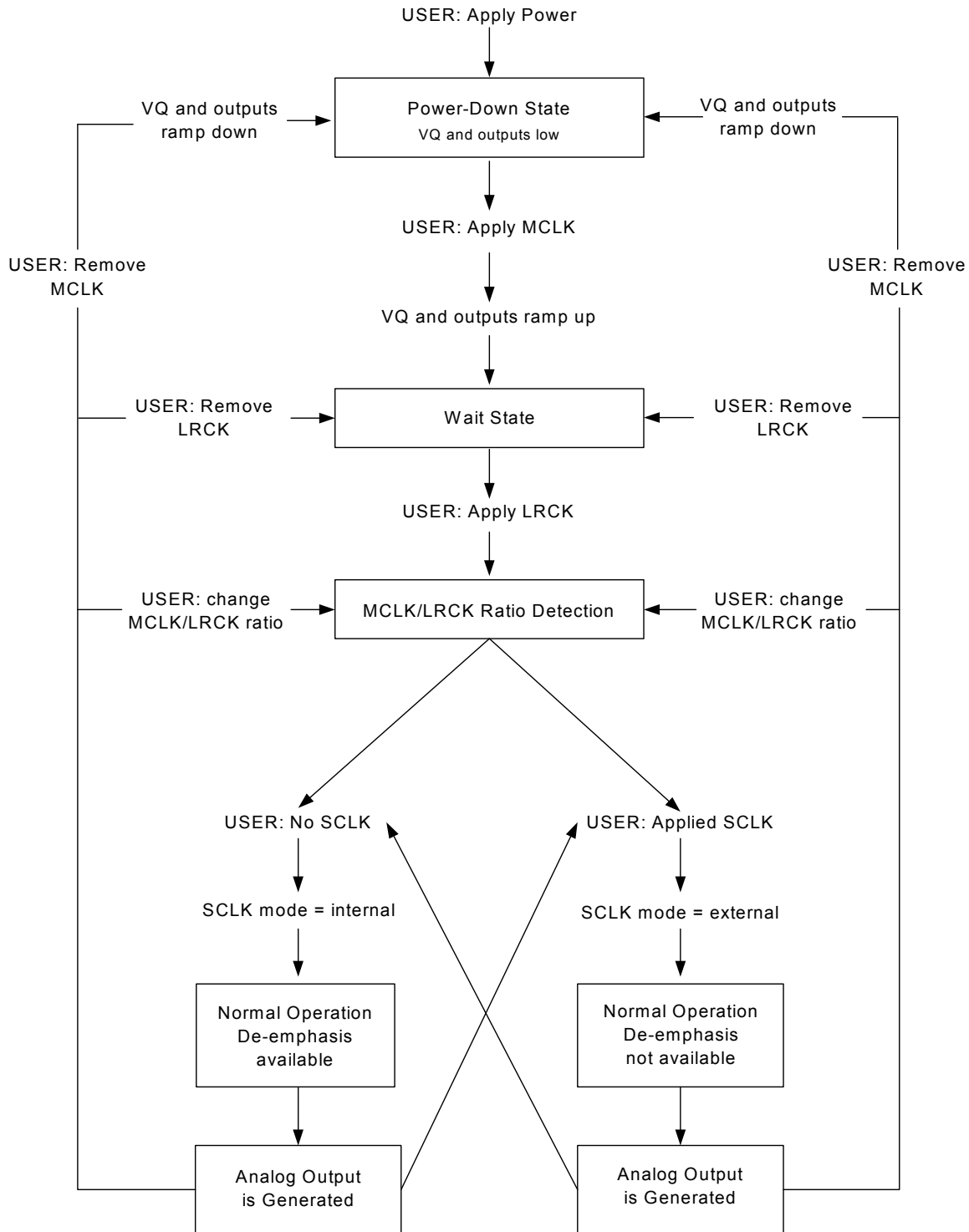


Figure 11. CS4344/5/8 Initialization and Power-down Sequence

4.6 Grounding and Power Supply Decoupling

As with any high resolution converter, the CS4344 family requires careful attention to power supply and grounding arrangements to optimize performance. [Figure 6](#) shows the recommended power arrangement with VA connected to a clean +3.3 V or +5 V supply. For best performance, decoupling and filter capacitors should be located as close to the device package as possible with the smallest capacitors closest.

4.7 Analog Output and Filtering

The analog filter present in the CS4344 family is a switched-capacitor filter followed by a continuous time low pass filter. Its response, combined with that of the digital interpolator, is given in [Figures 12 - 19](#). The recommended external analog circuitry is shown in the [“Typical Connection Diagram” on page 11](#).

5. FILTER PLOTS

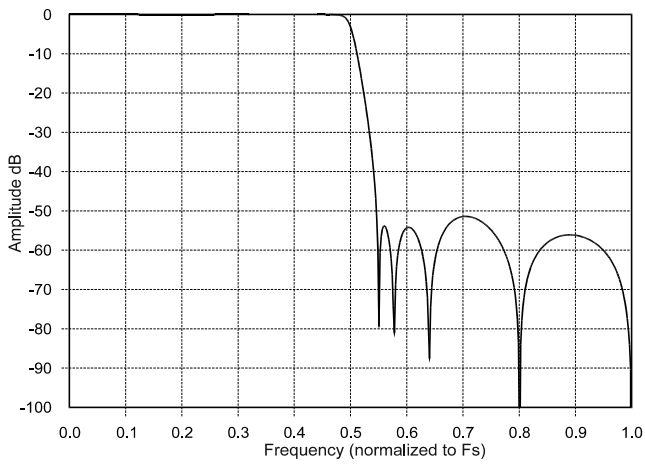


Figure 12. Single-Speed Stopband Rejection

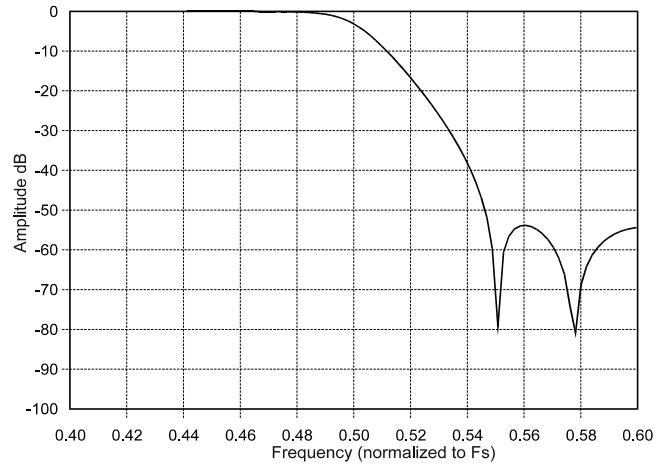


Figure 13. Single-Speed Transition Band

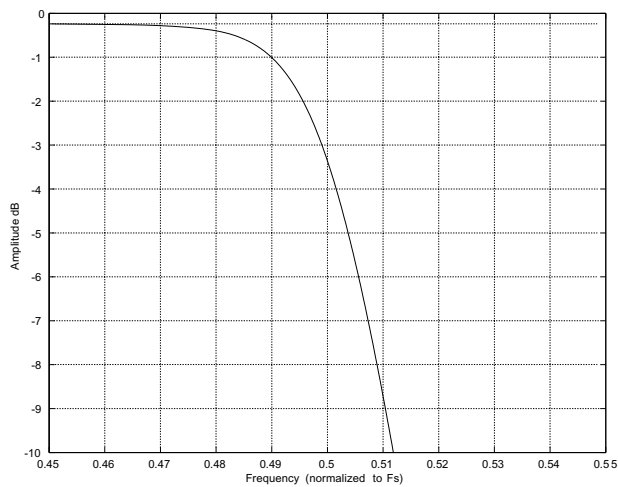


Figure 14. Single-Speed Transition Band

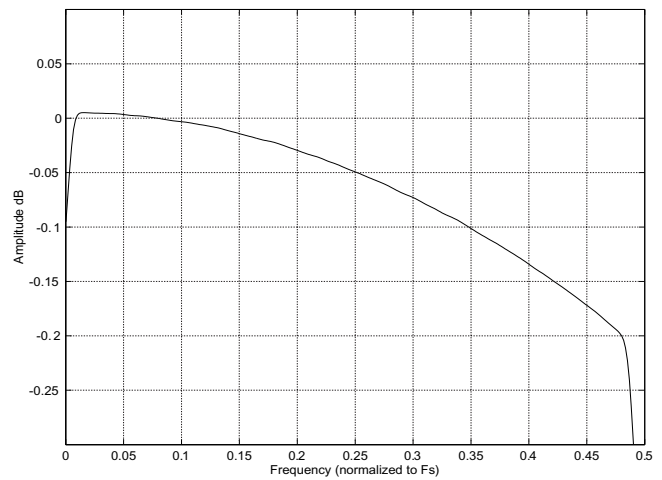
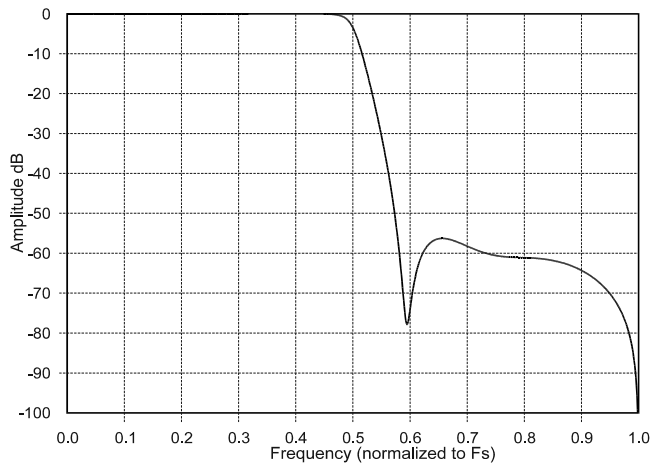
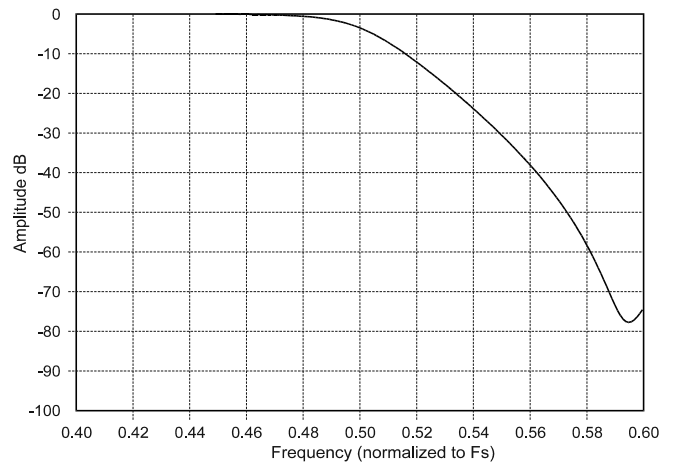
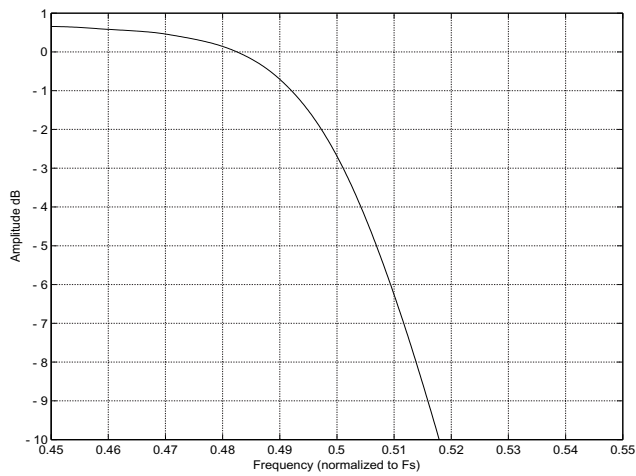
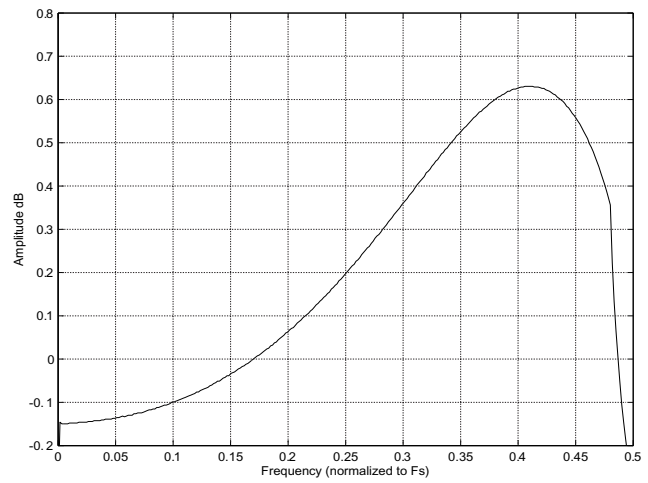
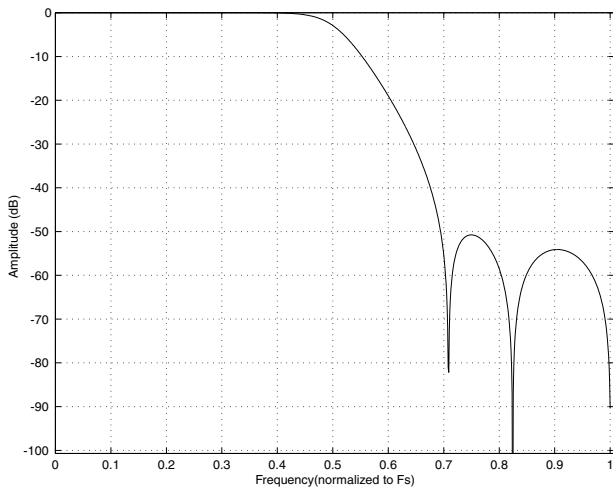
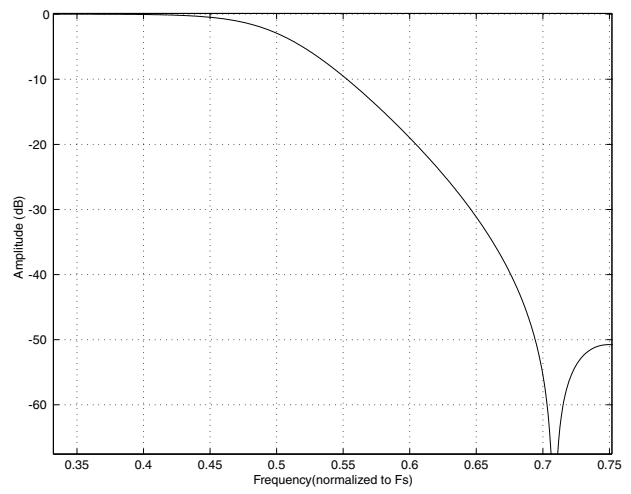
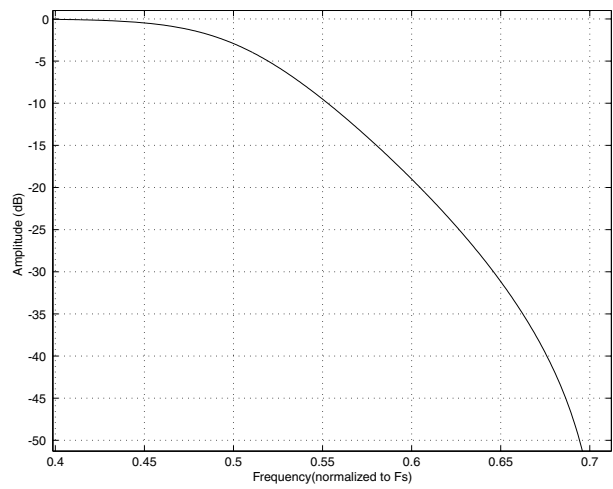
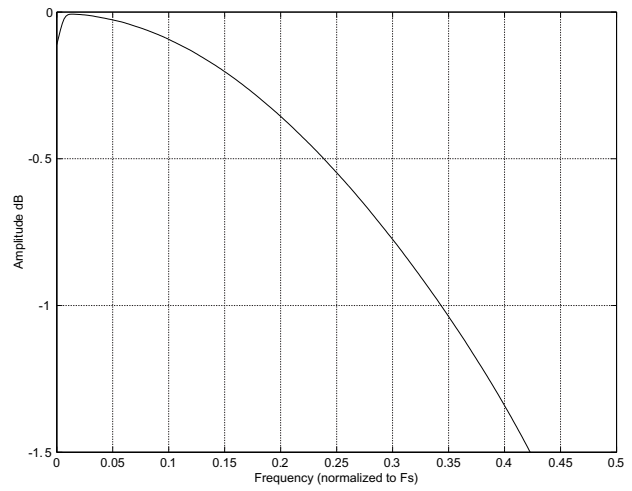


Figure 15. Single-Speed Passband Ripple


Figure 16. Double-Speed Stopband Rejection

Figure 17. Double-Speed Transition Band

Figure 18. Double-Speed Transition Band

Figure 19. Double-Speed Passband Ripple


Figure 20. Quad-Speed Stopband Rejection

Figure 21. Quad-Speed Transition Band

Figure 22. Quad-Speed Transition Band

Figure 23. Quad-Speed Passband Ripple

6. PARAMETER DEFINITIONS

Dynamic Range

The ratio of the full scale rms value of the signal to the rms sum of all other spectral components over the specified bandwidth. Dynamic range is a signal-to-noise measurement over the specified bandwidth made with a -60 dBFS signal. 60 dB is then added to the resulting measurement to refer the measurement to full scale. This technique ensures that the distortion components are below the noise level and do not affect the measurement. This measurement technique has been accepted by the Audio Engineering Society, AES17-1991, and the Electronic Industries Association of Japan, EIAJ CP-307.

Gain Drift

The change in gain value with temperature. Units in ppm/°C.

Gain Error

The deviation from the nominal full scale analog output for a full scale digital input.

Interchannel Gain Mismatch

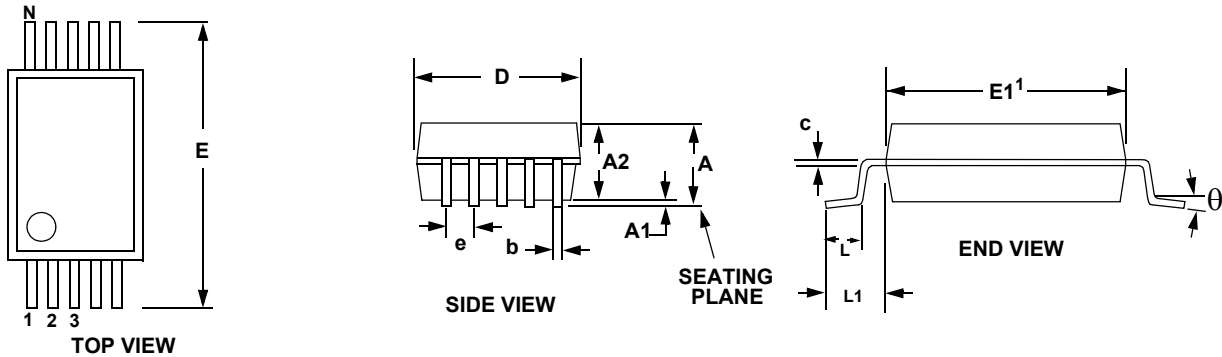
The gain difference between left and right channels. Units in decibels.

Interchannel Isolation

A measure of crosstalk between the left and right channels. Measured for each channel at the converter's output with all zeros to the input under test and a full-scale signal applied to the other channel. Units in decibels.

Total Harmonic Distortion + Noise (THD+N)

The ratio of the rms value of the signal to the rms sum of all other spectral components over the specified bandwidth (typically 10 Hz to 20 kHz), including distortion components. Expressed in decibels.

7. PACKAGE DIMENSIONS
10LD TSSOP (3 mm BODY) PACKAGE DRAWING


| DIM | INCHES | | | MILLIMETERS | | | NOTE |
|----------|--------|------------|--------|-------------|----------|------|------|
| | MIN | NOM | MAX | MIN | NOM | MAX | |
| A | -- | -- | 0.0433 | -- | -- | 1.10 | |
| A1 | 0 | -- | 0.0059 | 0 | -- | 0.15 | |
| A2 | 0.0295 | -- | 0.0374 | 0.75 | -- | 0.95 | |
| b | 0.0059 | -- | 0.0118 | 0.15 | -- | 0.30 | 4, 5 |
| c | 0.0031 | -- | 0.0091 | 0.08 | -- | 0.23 | |
| D | -- | 0.1181 BSC | -- | -- | 3.00 BSC | -- | 2 |
| E | -- | 0.1929 BSC | -- | -- | 4.90 BSC | -- | |
| E1 | -- | 0.1181 BSC | -- | -- | 3.00 BSC | -- | 3 |
| e | -- | 0.0197 BSC | -- | -- | 0.50 BSC | -- | |
| L | 0.0157 | 0.0236 | 0.0315 | 0.40 | 0.60 | 0.80 | |
| L1 | -- | 0.0374 REF | -- | -- | 0.95 REF | -- | |
| θ | 0° | -- | 8° | 0° | -- | 8° | |

Controlling Dimension is Millimeters

Notes:

- Reference document: JEDEC MO-187
- D does not include mold flash or protrusions which is 0.15 mm max. per side.
- E1 does not include inter-lead flash or protrusions which is 0.15 mm max per side.
- Dimension b does not include a total allowable dambar protrusion of 0.08 mm max.
- Exceptions to JEDEC dimension.

8. ORDERING INFORMATION

| Product | Description | Package | Pb-Free | Grade | Temp Range | Container | Order # |
|---------|--|----------|---------|------------|---------------|-----------------------------|------------|
| CS4344 | 24-Bit, 192 kHz Stereo D/A Converter | 10-TSSOP | Yes | Commercial | -10 to +70 °C | Tube or Tape and Reel | CS4344-CZZ |
| | | | | Automotive | -40 to +85 °C | | CS4344-DZZ |
| CS4345 | | | | Commercial | -10 to +70 °C | | CS4345-CZZ |
| | | | | Automotive | -40 to +85 °C | | CS4345-DZZ |
| CS4348 | | | | Commercial | -10 to +70 °C | | CS4348-CZZ |

8.1 Functional Compatibility

CS4334-KS ⇒ CS4344-CZZ

CS4335-KS ⇒ CS4345-CZZ

CS4338-KS ⇒ CS4348-CZZ

CS4334-BS ⇒ CS4344-DZZ

CS4334-DS ⇒ CS4344-DZZ

8.2 Selection Guide

The CS4344 family differs by Serial Audio format as follows:

- CS4344 — 16- to 24-bit, I²S
- CS4345 — 16- to 24-bit, Left-Justified
- CS4348 — 16-bit, Right-Justified

9. REVISION HISTORY

| Release | Changes |
|---------|---|
| F1 | <ul style="list-style-type: none"> -Updated passband and frequency response specifications in “Combined Interpolation & On-chip Analog Filter Response” on page 7 -Updated PSRR specification -Updated VIH specification -Updated figures in “Filter Plots” on page 18 |
| F2 | <ul style="list-style-type: none"> -Removed references to CS4346 throughout. -Updated Footnote 1 about dither in “DAC Analog Characteristics” on page 6. -Updated the “SCLK rising to LRCK edge” unit from μs to ns in “Switching Characteristics - Serial Audio Interface” on page 9. |

Contacting Cirrus Logic Support

For all product questions and inquiries contact a Cirrus Logic Sales Representative.

To find the one nearest to you go to www.cirrus.com/corporate/contacts/sales.cfm

IMPORTANT NOTICE

Cirrus Logic, Inc. and its subsidiaries (“Cirrus”) believe that the information contained in this document is accurate and reliable. However, the information is subject to change without notice and is provided “AS IS” without warranty of any kind (express or implied). Customers are advised to obtain the latest version of relevant information to verify, before placing orders, that information being relied on is current and complete. All products are sold subject to the terms and conditions of sale supplied at the time of order acknowledgment, including those pertaining to warranty, indemnification, and limitation of liability. No responsibility is assumed by Cirrus for the use of this information, including use of this information as the basis for manufacture or sale of any items, or for infringement of patents or other rights of third parties. This document is the property of Cirrus and by furnishing this information, Cirrus grants no license, express or implied under any patents, mask work rights, copyrights, trademarks, trade secrets or other intellectual property rights. Cirrus owns the copyrights associated with the information contained herein and gives consent for copies to be made of the information only for use within your organization with respect to Cirrus integrated circuits or other products of Cirrus. This consent does not extend to other copying such as copying for general distribution, advertising or promotional purposes, or for creating any work for resale.

CERTAIN APPLICATIONS USING SEMICONDUCTOR PRODUCTS MAY INVOLVE POTENTIAL RISKS OF DEATH, PERSONAL INJURY, OR SEVERE PROPERTY OR ENVIRONMENTAL DAMAGE (“CRITICAL APPLICATIONS”). CIRRUS PRODUCTS ARE NOT DESIGNED, AUTHORIZED OR WARRANTED FOR USE IN AIRCRAFT SYSTEMS, MILITARY APPLICATIONS, PRODUCTS SURGICALLY IMPLANTED INTO THE BODY, AUTOMOTIVE SAFETY OR SECURITY DEVICES, LIFE SUPPORT PRODUCTS OR OTHER CRITICAL APPLICATIONS. INCLUSION OF CIRRUS PRODUCTS IN SUCH APPLICATIONS IS UNDERSTOOD TO BE FULLY AT THE CUSTOMER’S RISK AND CIRRUS DISCLAIMS AND MAKES NO WARRANTY, EXPRESS, STATUTORY OR IMPLIED, INCLUDING THE IMPLIED WARRANTIES OF MERCHANTABILITY AND FITNESS FOR PARTICULAR PURPOSE, WITH REGARD TO ANY CIRRUS PRODUCT THAT IS USED IN SUCH A MANNER. IF THE CUSTOMER OR CUSTOMER’S CUSTOMER USES OR PERMITS THE USE OF CIRRUS PRODUCTS IN CRITICAL APPLICATIONS, CUSTOMER AGREES, BY SUCH USE, TO FULLY INDEMNIFY CIRRUS, ITS OFFICERS, DIRECTORS, EMPLOYEES, DISTRIBUTORS AND OTHER AGENTS FROM ANY AND ALL LIABILITY, INCLUDING ATTORNEYS’ FEES AND COSTS, THAT MAY RESULT FROM OR ARISE IN CONNECTION WITH THESE USES.

Cirrus Logic, Cirrus, the Cirrus Logic logo designs, and Popguard are trademarks of Cirrus Logic, Inc. All other brand and product names in this document may be trademarks or service marks of their respective owners.

Looking for pricing, stock, or lifecycle information?

Click below to explore more details on WIN SOURCE:

 [View CS4344-DZZR on WIN SOURCE](#)

 [Cirrus Logic Inc. Information](#)

Optimize Your Supply Chain with WIN SOURCE Solutions

-  Global Sourcing Solution
-  Obsolete Management
-  Cost Control Management
-  Shortage Management
-  Alternative Solution
-  Excess Inventory Management