



THE DATASHEET OF
142.6185.5106



TAC ATO® STYLE BLADE FUSE RATED 58V



Description

The TAC is an ATO® style blade fuse rated at 58V, featuring a three part construction with copper contacts for excellent reliability in harsh environment conditions and low voltage drop. Current ratings 1A thru 40A. With see-through cover for easy detection of blown fuses.

Specifications

Interrupting Rating:	1000 A @ 58 VDC
Insulating Body:	Out of thermoplastic (UL 94-V0, heat-resistant)
Cover:	Out of thermoplastic (V0, transparent), Visible melting-element
Terminals:	Blade contacts Copper alloy, gal. Sn plated Edge-protected
Complies with:	ISO 8820-3:2002(E) UL 248 Special Purpose Fuses
cULus Recognized:	File No. E10480

Ordering Information

Part Number	Package Size
142.6185.xxx.2	2000
142.6185.xxx.6	100

Time-Current Characteristics

% of Rating	Opening Time Min / Max (s)
110	360,000 s / -
135	0.750 s / 1,800 s
200	0.150 s / 5 s
350	0.040 s / 0.500 s
600	0.020 s / 0.100 s

Ratings

Part Number	Current Rating	Housing Color	Typ. Voltage Drop Littelfuse max.	Cold Resistance	I²t
142.6185.410_	1 A*	Black	150 mV	108 mΩ	2.00 A²s
142.6185.420_	2 A*	Grey	130 mV	45.0 mΩ	8.00 A²s
142.6185.430_	3 A	Purple	140 mV	28.5 mΩ	15.0 A²s
142.6185.440_	4 A	Pink	120 mV	22.5 mΩ	25.0 A²s
142.6185.450_	5 A	Brown	145 mV	16.5 mΩ	35.0 A²s
142.6185.475_	7.5 A	Dark Brown	115 mV	11.5 mΩ	60.0 A²s
142.6185.510_	10 A	Red	95 mV	6.80 mΩ	115 A²s
142.6185.515_	15 A	Blue	90 mV	4.30 mΩ	250 A²s
142.6185.520_	20 A	Yellow	90 mV	3.10 mΩ	600 A²s
142.6185.525_	25 A	White	80 mV	2.30 mΩ	600 A²s
142.6185.530_	30 A	Green	80 mV	1.90 mΩ	1,070 A²s
142.6185.540_	40 A	Orange	100 mV	1.40 mΩ	2,000 A²s

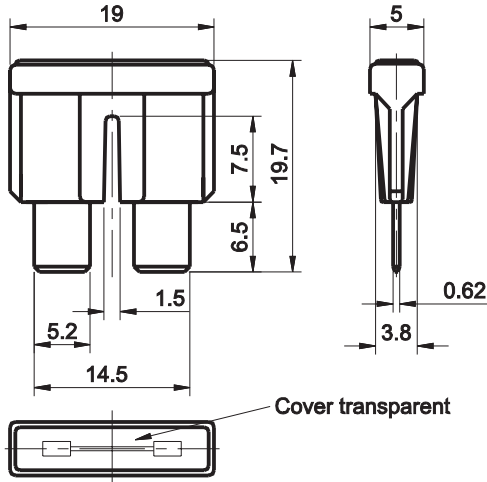
* Not mentioned in the standards
Corresponding holder see Section "Fuse Holders."

TAC ATO® STYLE BLADE FUSE RATED 58V

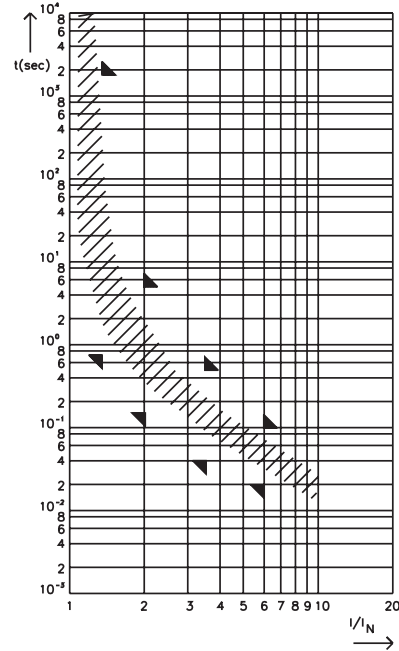


Dimensions

Dimensions in mm



Pre-Arcing Time-Limits



FI = 1.33 (max. operating current: $0.75 \times I_{\text{rat}}$ at 23°C)

Looking for pricing, stock, or lifecycle information?

Click below to explore more details on WIN SOURCE:

 [View 142.6185.5106 on WIN SOURCE](#)

 [Littelfuse Inc. Information](#)

Optimize Your Supply Chain with WIN SOURCE Solutions

-  Global Sourcing Solution
-  Obsolete Management
-  Cost Control Management
-  Shortage Management
-  Alternative Solution
-  Excess Inventory Management