



THE DATASHEET OF TSH22IDT





TSH22

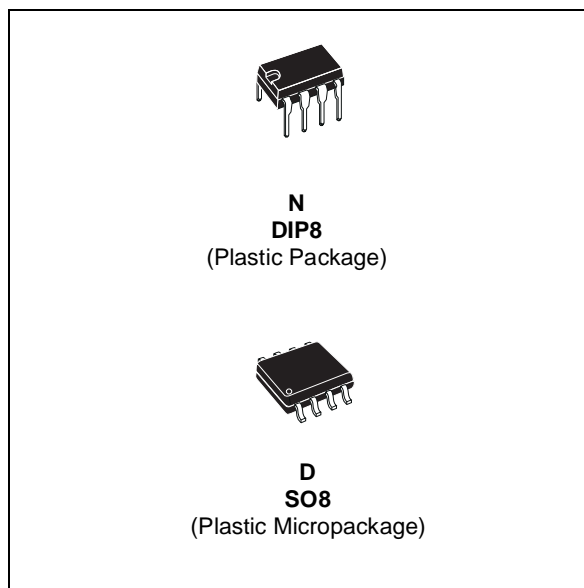
HIGH PERFORMANCE DUAL BIPOLAR OPERATIONAL AMPLIFIER

- HIGH GAIN BANDWIDTH PRODUCT :
25MHz
- HIGH SLEW RATE : **15V/μs**
- SINGLE OR DUAL SUPPLY OPERATION :
3V TO 30V ($\pm 1.5V$ to $\pm 15V$)
- LOW VOLTAGE NOISE : **14nV/√Hz**
- NO PHASE INVERSION
- ESD TOLERANCE : 2kV
- LATCH-UP IMMUNITY
- **SPICE MACROMODEL** INCLUDED IN THIS SPECIFICATION

DESCRIPTION

The TSH22 is a dual bipolar operational amplifier offering a single supply operation from 3V to 30V with very good performances : medium speed (25MHz), unity gain stability and low noise.

The TSH22 is therefore an enhanced replacement of standard dual operational amplifiers.

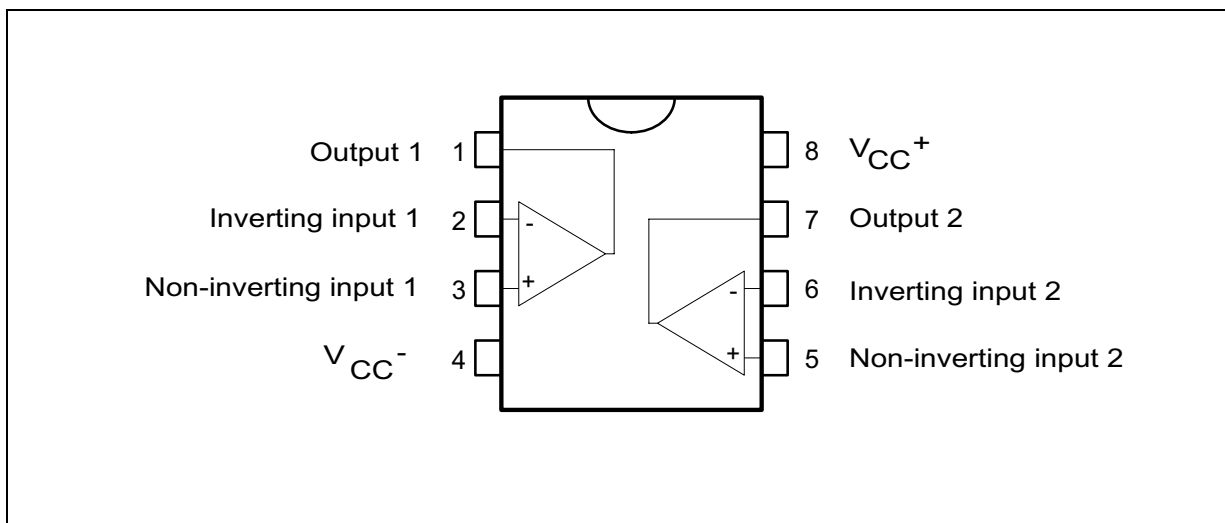


ORDER CODE

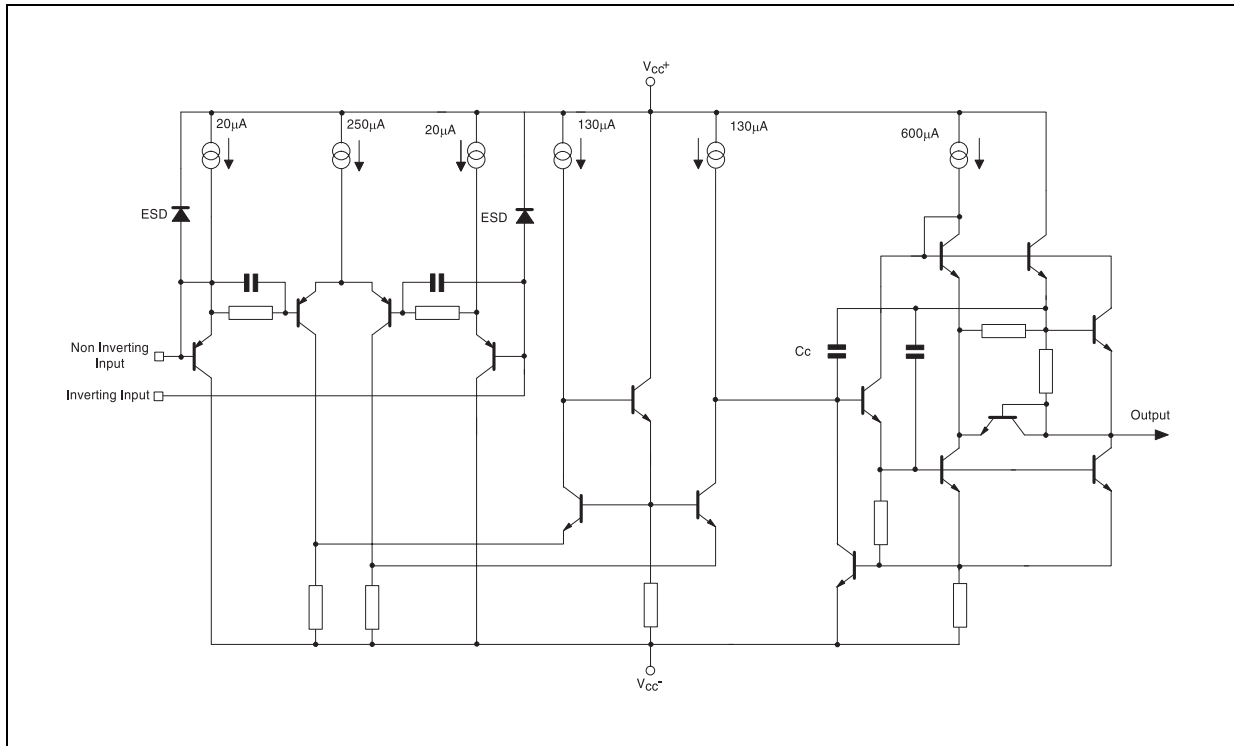
Part Number	Temperature Range	Package	
		N	D
TSH22I	-40°C, +125°C	•	•

N = Dual in Line Package (DIP)
D = Small Outline Package (SO) - also available in Tape & Reel (DT)

PIN CONNECTIONS (top view)



SCHEMATIC DIAGRAM (1/2 TSH22)



ABSOLUTE MAXIMUM RATINGS

Symbol	Parameter	Value	Unit
V_{CC}	Supply Voltage	± 18 to 36	V
V_{id}	Differential Input Voltage ¹⁾	± 36	V
V_i	Input Voltage (see note 1)	± 18	V
	Output Short-circuit Duration ²⁾	Infinite	
T_{oper}	Operating Free-Air Temperature Range	-40 to +125	°C
T_j	Maximum Junction Temperature	+150	°C
T_{stg}	Storage Temperature Range	-65 to +150	°C
P_{tot}	Maximum Power Dissipation (see note 2)	500	mW

1. Either or both input voltages must not exceed the magnitude of V_{CC}^+ or V_{CC}^-
2. Power dissipation must be considered to ensure maximum junction temperature (T_j) is not exceeded

OPERATING CONDITIONS

Symbol	Parameter	Value	Unit
V_{CC}	Supply Voltage	3 to 30	V

ELECTRICAL CHARACTERISTICS
 $V_{CC}^+ = 15V, V_{CC}^- = -15V, T_{amb} = 25^\circ C$ (unless otherwise specified)

Symbol	Parameter	Min.	Typ.	Max.	Unit
V_{io}	Input Offset Voltage ($V_{ic} = 0V, V_o = 0V$) $V_{CC}^+ = +15V, V_{CC}^- = -15V$ $T_{min} \leq T_{amb} \leq T_{max}$ $V_{CC}^+ = +5V, V_{CC}^- = 0V$			2.5 3.5 2.5	mV
ΔV_{io}	Input Offset Voltage Drift ($V_{ic} = 0V, V_o = 0V$)		2		$\mu V/^\circ C$
I_{io}	Input Offset Current ($V_{ic} = 0V, V_o = 0V$)		3	65	nA
I_{ib}	Input Bias Current ($V_{ic} = 0V, V_o = 0V$)		100	650	nA
V_{icm}	Common Mode Input Voltage Range		V_{CC}^- to $V_{CC}^+ - 1.8V$		V
A_{vd}	Large Signal Voltage Gain ($R_L = 2k\Omega, V_o = 0V$ to $+10V$) $T_{min} \leq T_{amb} \leq T_{max}$	32 20	100		V/mV
$\pm V_{opp}$	Output Voltage Swing ($V_{id} = \pm 1V$) $V_{CC}^+ = +15V, V_{CC}^- = -15V$ $R_L = 2k\Omega$ V_{OH} V_{OL} $R_L = 10k\Omega$ V_{OH} V_{OL} $V_{CC}^+ = +5V, V_{CC}^- = 0V$ $R_L = 2k\Omega$ V_{OH} V_{OL}	13.4 13.4 3.7	13.9 14 0.15	-13.5 -14.1 0.2	V
I_o	Output Short Circuit Current ($V_{id} = \pm 1V, V_o = 0V$) Source Sink	25 25	37 37		mA
CMR	Common Mode Rejection Ratio ($V_{ic} = -15V$ to $+13.2V$)	80	100		dB
SVR	Supply Voltage Rejection Ratio $V_{CC}^+/V_{CC}^- = +15V/-15V$ to $+5V/-5V$	90	105		dB
I_{cc}	Supply Current ($V_o = 0V$, no load, each amplifier) $V_{CC}^+ = +15V, V_{CC}^- = -15V$ $T_{min} \leq T_{amb} \leq T_{max}$ $V_{CC}^+ = +5V, V_{CC}^- = 0V$		2.15	2.75 3 2.75	mA
SR	Slew Rate ($V_i = -10V$ to $+10V, C_L = 100pF, R_L = 2k\Omega, A_V = +1$)	8	15		V/ μs
GBP	Gain Bandwidth Product ($f = 100kHz, R_L = 2k\Omega, C_L = 100pF$)	17	25		MHz
B	Unity Gain Bandwidth (Open loop)		5		MHz
ϕ_m	Phase Margin $R_L = 2k\Omega$ $R_L = 2k\Omega, C_L = 100pF$		50 40		Degrees
e_n	Equivalent Input Noise Voltage ($R_s = 100\Omega, f = 1kHz$)		14		$\frac{nV}{\sqrt{Hz}}$
V_{o1}/V_{o2}	Channel Separation ($f = 20Hz$ to $20kHz$)		120		dB
THD	Total Harmonic Distortion ($V_{CC} = \pm 15V, f = 1kHz, A_{VCL} = 20dB, R_L = 600\Omega, V_o = 3V_{rms}$)		0.003		%

TSH22

MACROMODEL

** Standard Linear Ics Macromodels, 1993.

CONNECTIONS :

* 1 INVERTING INPUT
 * 2 NON-INVERTING INPUT
 * 3 OUTPUT
 * 4 POSITIVE POWER SUPPLY
 * 5 NEGATIVE POWER SUPPLY
 .SUBCKT TSH22 1 3 2 4 5 (analog)

*

.MODEL MDTH D IS=1E-8 KF=7.976636E-15
 CJO=10F

* INPUT STAGE

CIP 2 5 1.200000E-11
 CIN 1 5 1.200000E-11
 EIP 10 5 2 5 1
 EIN 16 5 1 5 1
 RIP 10 11 1.083333E+00
 RIN 15 16 1.083333E+00
 RIS 11 15 8.942641E+00
 DIP 11 12 MDTH 400E-12
 DIN 15 14 MDTH 400E-12
 VOFP 12 13 DC 0
 VOFN 13 14 DC 0
 IPOL 13 5 2.400000E-04
 CPS 11 15 10.5E-09
 DINN 17 13 MDTH 400E-12
 VIN 17 5 -0.200000E+00
 DINR 15 18 MDTH 400E-12
 VIP 4 18 1.800000E+00
 FCP 4 5 VOFP 7.750000E+00
 FCN 5 4 VOFN 7.750000E+00
 FIBP 2 5 VOFN 5.000000E-04
 FIBN 5 1 VOFP 5.000000E-04

* AMPLIFYING STAGE

FIP 5 19 VOFP 6.708333E+02
 FIN 5 19 VOFN 6.708333E+02
 GVNEG 5 19 5 13 1.395908E-05
 GVPOS 5 19 4 13 1.395908E-05
 RG1 19 5 8.056996E+04
 RG2 19 4 8.056996E+04
 CC 19 29 1.100000E-08
 HZTP 30 29 VOFP 6.545046E+01
 HZTN 5 30 VOFN 6.545046E+01
 DOPM 19 22 MDTH 400E-12
 DONM 21 19 MDTH 400E-12
 HOPM 22 28 VOUT 4.054054E+03
 VIPM 28 4 1.500000E+02
 HONM 21 27 VOUT 4.054054E+03
 VINM 5 27 1.500000E+02
 RPM1 5 80 1E+06
 RPM2 4 80 1E+06
 GAVPH 5 82 19 80 6.00E-07
 RAVPHGH 82 4 3333222
 RAVPHGB 82 5 3333222
 RAVPHDH 82 83 1000000
 RAVPHDB 82 84 1000000
 CAVPHH 4 83 0.12243E-12
 CAVPHB 5 84 0.12243E-12
 EOUT 26 23 82 5 1
 VOUT 23 5 0
 ROUT 26 3 2.472597E+01
 COUT 3 5 1.000000E-12
 DOP 19 25 MDTH 400E-12
 VOP 4 25 1.824860E+00
 DON 24 19 MDTH 400E-12
 VON 24 5 1.824860E+00
 .ENDS

ELECTRICAL CHARACTERISTICS

$V_{cc} = \pm 15V$, $T_{amb} = 25^{\circ}C$ (unless otherwise specified)

Symbol	Conditions	Value	Unit
V_{id}		0	mV
A_{vd}	$R_L = 2k\Omega$	100	dB
I_{cc}	No load, per operator	2	mA
V_{icm}		-15.2 to 13.8	V
V_{OH}	$R_L = 2k\Omega$	+13.9	V
V_{OL}	$R_L = 2k\Omega$	-13.9	V
I_{sink}	$V_o = 0V$	40	mA
I_{source}	$V_o = 0V$	40	mA
GBP	$R_L = 2k\Omega$, $C_L = 100pF$	34	MHz
SR	$R_L = 2k\Omega$, $C_L = 100pF$	10	V/ μs
\varnothing_m	$R_L = 2k\Omega$, $C_L = 100pF$	36	Degrees
\varnothing_m	$R_L = 2k\Omega$, $C_L = 300pF$	26	Degrees

APPLICATIONS INFORMATION

TSH22 IN COMPARATOR APPLICATION

The TSH22 is a dual high performances operational amplifier featuring speed of 30MHz and single supply operation from 3V to 30V.

Most of operational amplifiers are not suited for comparator use because of low transition speed, output signal incompatible with standard logics level and mainly, phase inversion.

The phase inversion occurs when a strong differential signal is applied to the device inputs. The output level is then inverted and shows a wrong logic state. TSH22 does not present this problematic behaviour.

Displayed curves below show the device response in standard comparator configuration without external components.

Transition speed : Typical transition speed under a single 5V supply voltage is about 2µs for 50mV overdrive. V_{OH} min. is 3.7V and V_{OL} max. is 0.2V (2kΩ load) making it compatible with standard logic families.

Figures 3 & 4 show output signal transition for a 50mV and 250mV input signal overdrive respectively of 3µs and 1µs.

Figure 1 : Basic comparator application

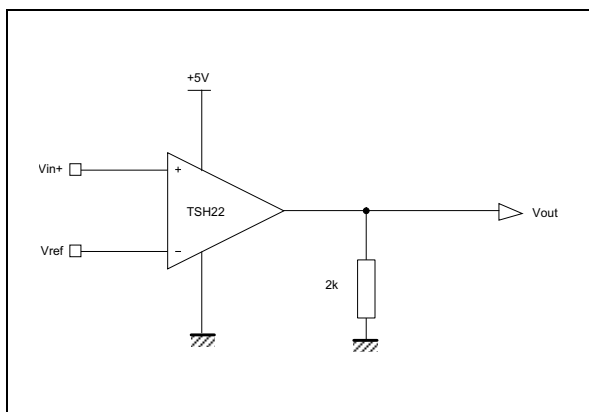


Figure 2 : Operating conditions

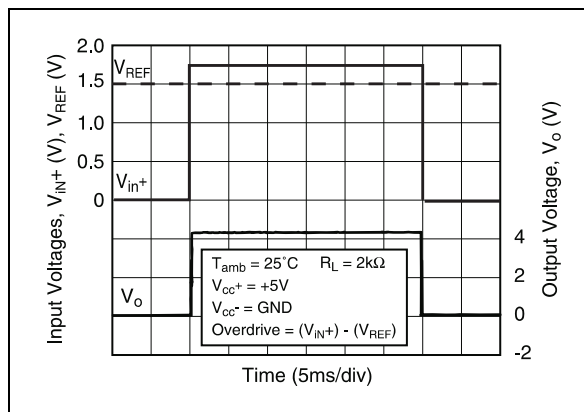


Figure 3 : Transition speed @ 50mV overdrive

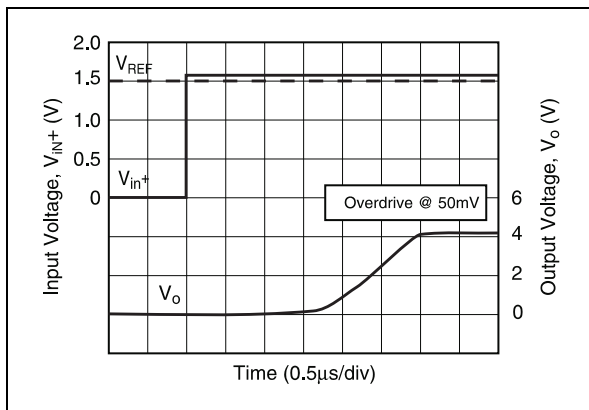
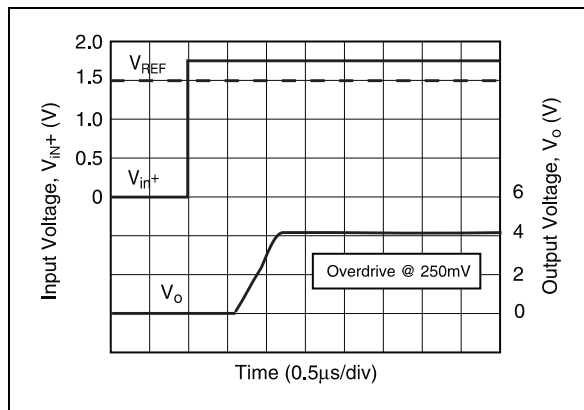


Figure 4 : Transition speed @ 250mV overdrive



PHASE INVERSION

At high differential input voltage, the TSH22 keeps the right output level thanks to its specific input structures.

The advantage is obvious on the following figures and can be also an advantage in linear use when saturation might occur.

Figure 5 : Behaviour with TSH22

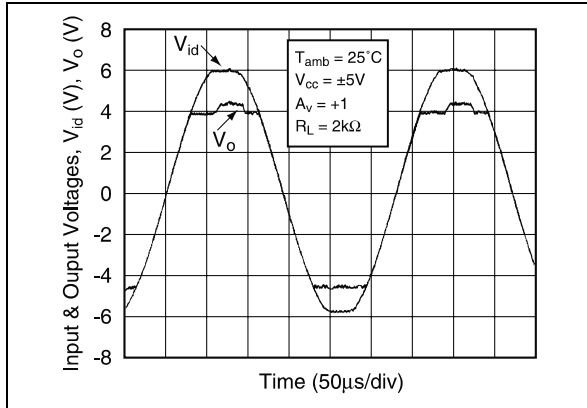
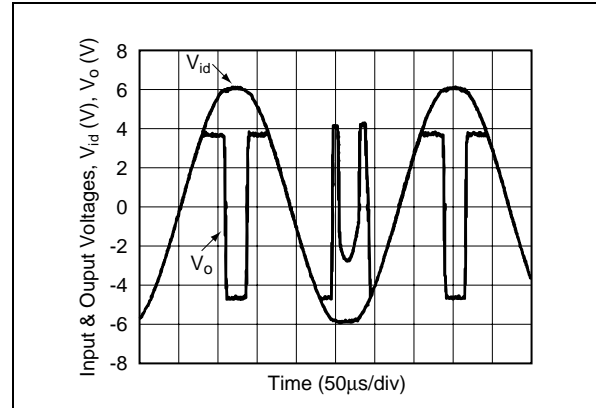
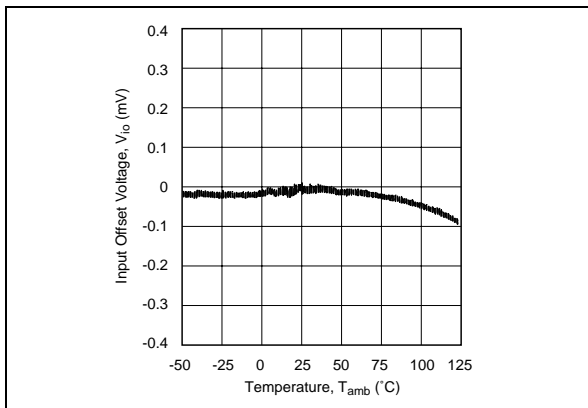


Figure 5 & 6 show the behaviour in follower stage with saturation output of TSH22 versus 15MHz standard operational amplifier.

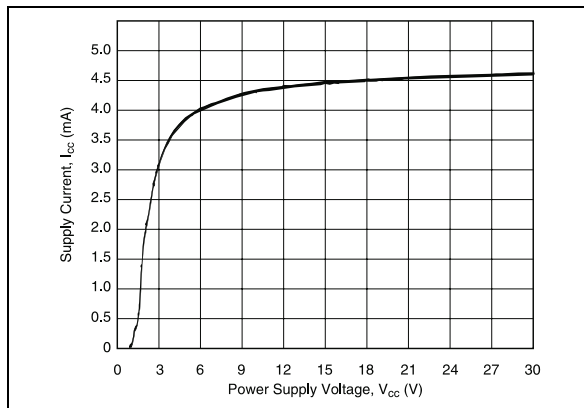
Figure 6 : Saturation behaviour with 15MHz standard operational amplifier



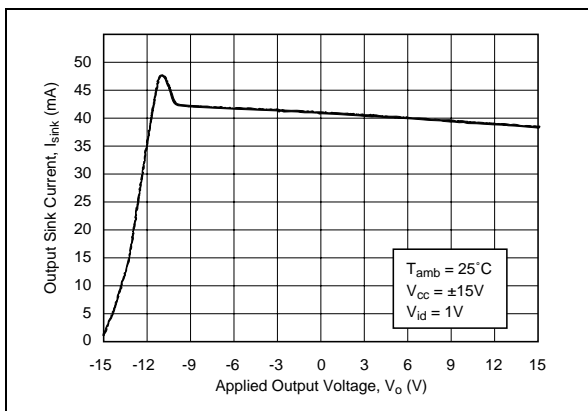
INPUT OFFSET VOLTAGE DRIFT VERSUS TEMPERATURE



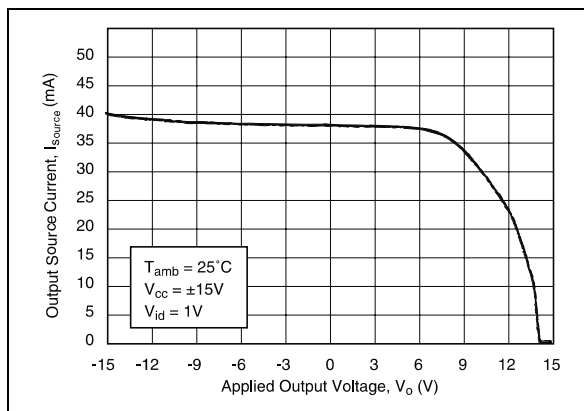
SUPPLY CURRENT VERSUS SUPPLY VOLTAGE (BOTH OP-AMPS)



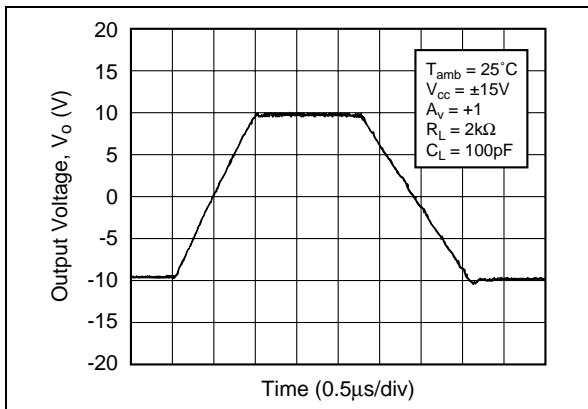
SINK CURRENT



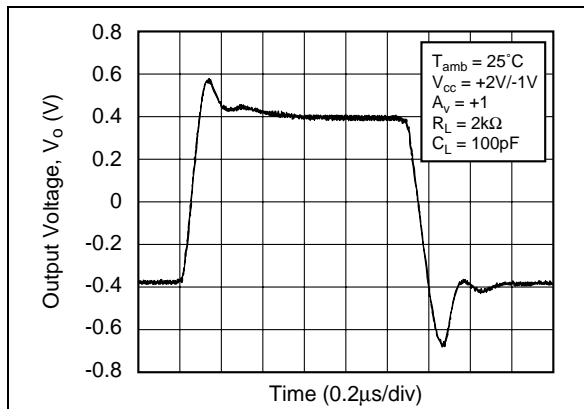
SOURCE CURRENT



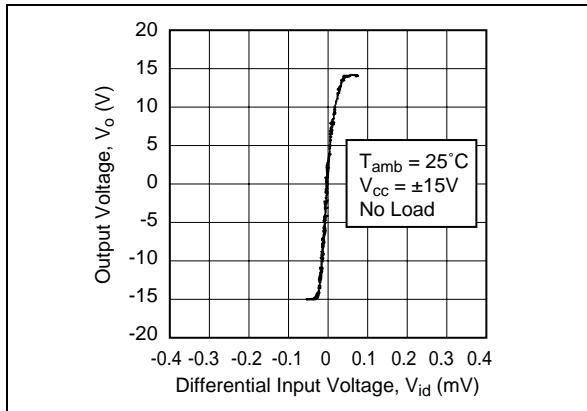
SLEW RATE @ 30V



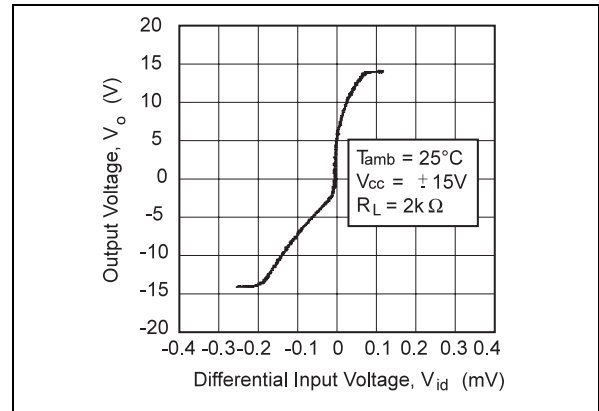
SLEW RATE @ 3V



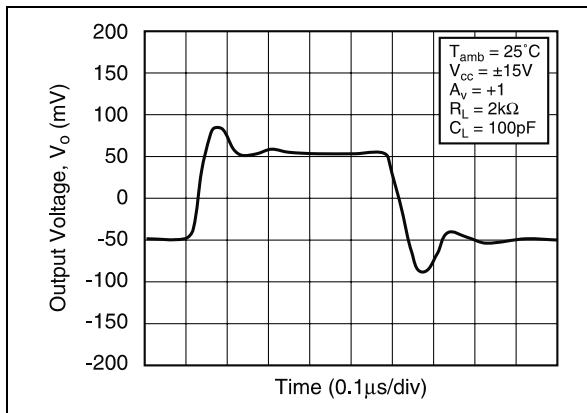
LARGE SIGNAL VOLTAGE GAIN @ NO LOAD



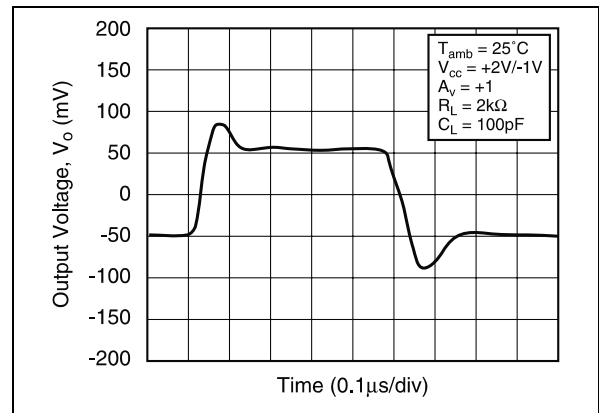
LARGE SIGNAL VOLTAGE GAIN @ LOAD



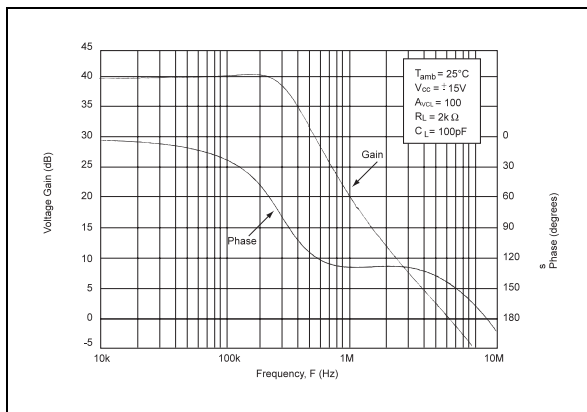
SMALL SIGNAL RESPONSE @ 30V



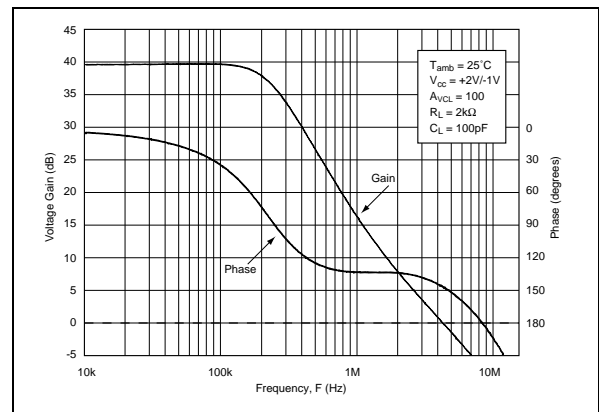
SMALL SIGNAL RESPONSE @ 3V



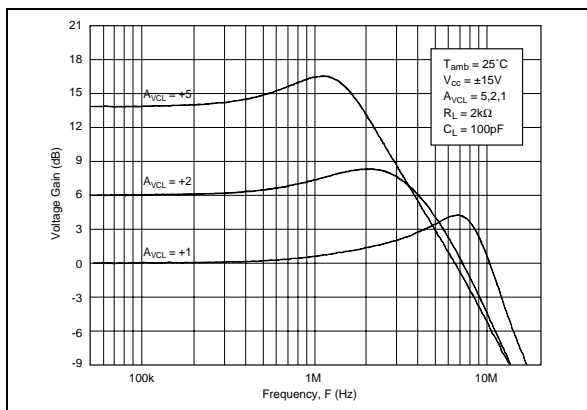
UNITY GAIN BANDWIDTH @ 30V



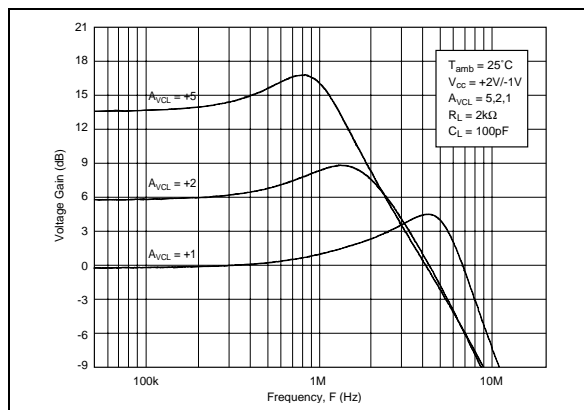
UNITY GAIN BANDWIDTH @ 3V



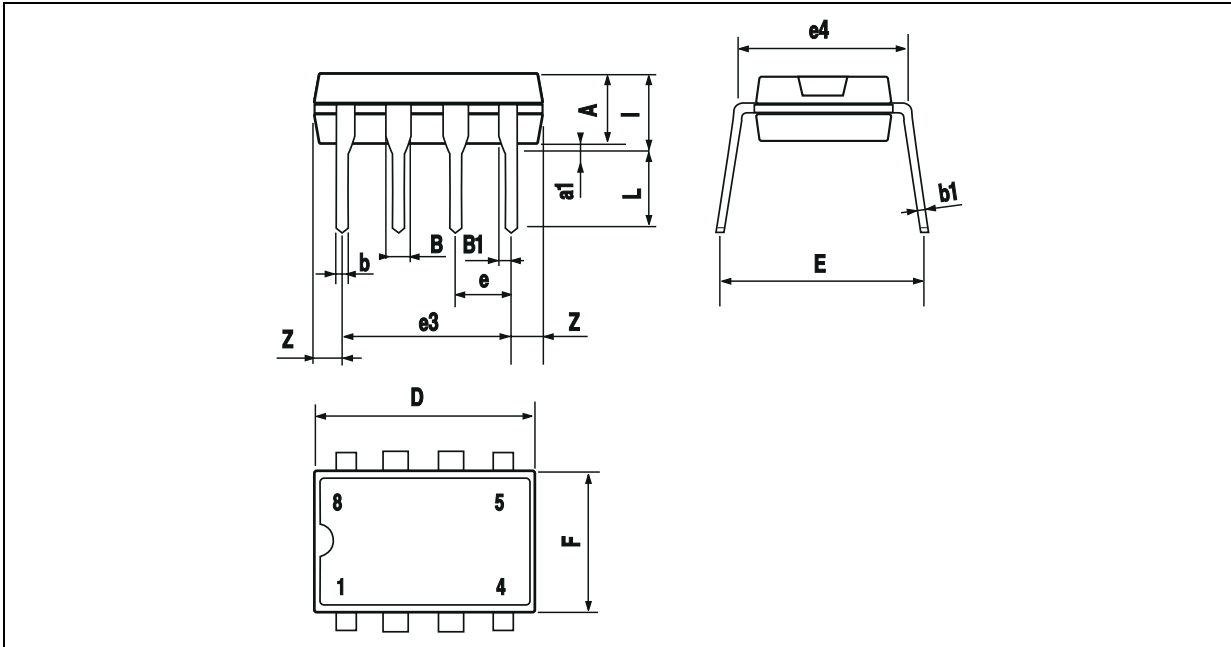
CLOSED LOOP BANDWIDTH @ 30V



CLOSED LOOP BANDWIDTH @ 3V

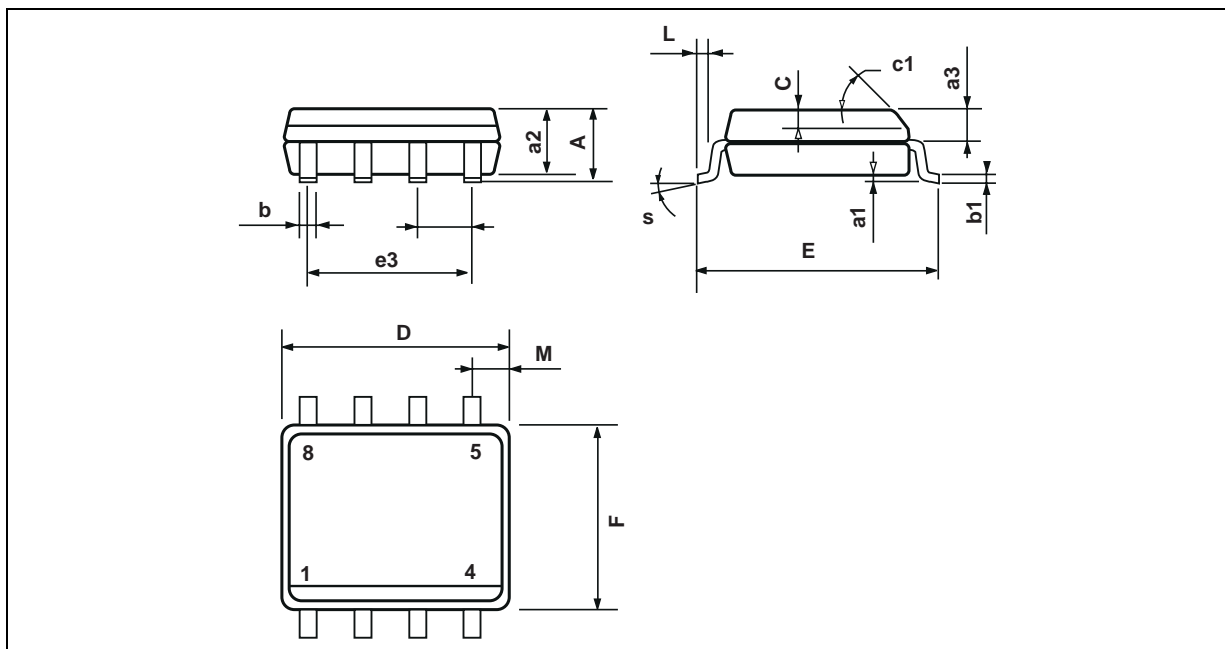


PACKAGE MECHANICAL DATA
8 PINS - PLASTIC DIP



Dim.	Millimeters			Inches		
	Min.	Typ.	Max.	Min.	Typ.	Max.
A		3.32			0.131	
a1	0.51			0.020		
B	1.15		1.65	0.045		0.065
b	0.356		0.55	0.014		0.022
b1	0.204		0.304	0.008		0.012
D			10.92			0.430
E	7.95		9.75	0.313		0.384
e		2.54			0.100	
e3		7.62			0.300	
e4		7.62			0.300	
F			6.6			0.260
i			5.08			0.200
L	3.18		3.81	0.125		0.150
Z			1.52			0.060

PACKAGE MECHANICAL DATA
8 PINS - PLASTIC MICROPACKAGE (SO)



Dim.	Millimeters			Inches		
	Min.	Typ.	Max.	Min.	Typ.	Max.
A			1.75			0.069
a1	0.1		0.25	0.004		0.010
a2			1.65			0.065
a3	0.65		0.85	0.026		0.033
b	0.35		0.48	0.014		0.019
b1	0.19		0.25	0.007		0.010
C	0.25		0.5	0.010		0.020
c1	45° (typ.)					
D	4.8		5.0	0.189		0.197
E	5.8		6.2	0.228		0.244
e		1.27			0.050	
e3		3.81			0.150	
F	3.8		4.0	0.150		0.157
L	0.4		1.27	0.016		0.050
M			0.6			0.024
S	8° (max.)					

Information furnished is believed to be accurate and reliable. However, STMicroelectronics assumes no responsibility for the consequences of use of such information nor for any infringement of patents or other rights of third parties which may result from its use. No license is granted by implication or otherwise under any patent or patent rights of STMicroelectronics. Specifications mentioned in this publication are subject to change without notice. This publication supersedes and replaces all information previously supplied. STMicroelectronics products are not authorized for use as critical components in life support devices or systems without express written approval of STMicroelectronics.

© The ST logo is a registered trademark of STMicroelectronics



© 2001 STMicroelectronics - Printed in Italy - All Rights Reserved
STMicroelectronics GROUP OF COMPANIES

Australia - Brazil - Canada - China - Finland - France - Germany - Hong Kong - India - Israel - Italy - Japan - Malaysia
Malta - Morocco - Singapore - Spain - Sweden - Switzerland - United Kingdom - United States

© <http://www.st.com>

Looking for pricing, stock, or lifecycle information?

Click below to explore more details on WIN SOURCE:

-  [View TSH22IDT on WIN SOURCE](#)
-  [STMicroelectronics Information](#)

Optimize Your Supply Chain with WIN SOURCE Solutions

-  Global Sourcing Solution
-  Obsolete Management
-  Cost Control Management
-  Shortage Management
-  Alternative Solution
-  Excess Inventory Management