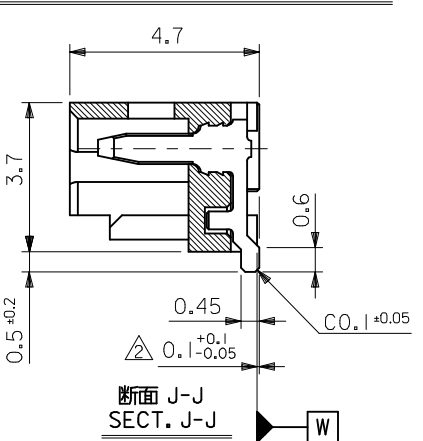
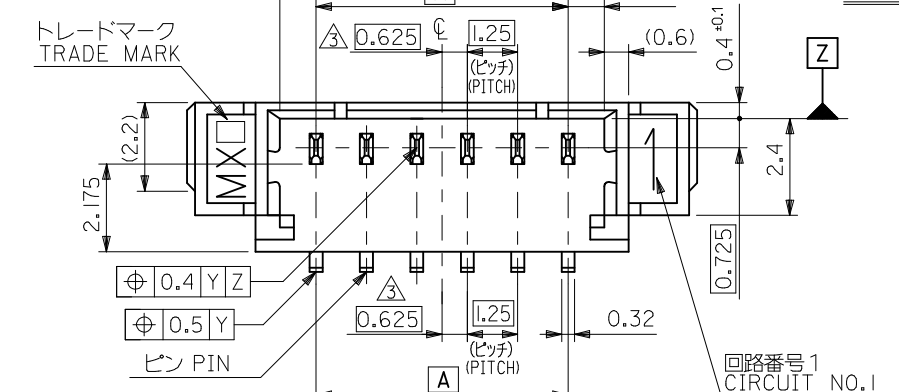
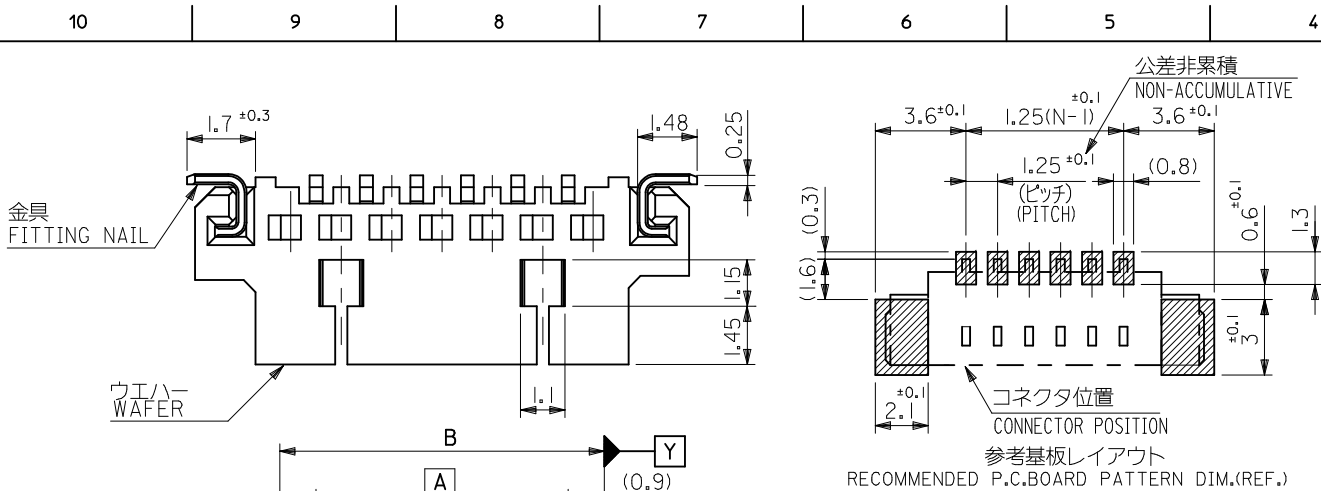




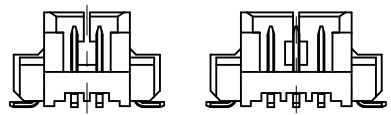
THE DATASHEET OF
533980871



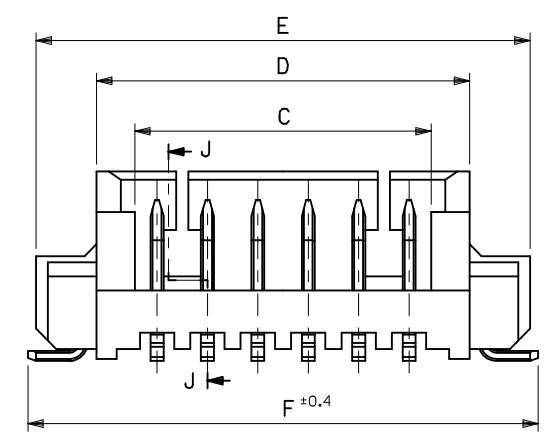


注記 NOTES

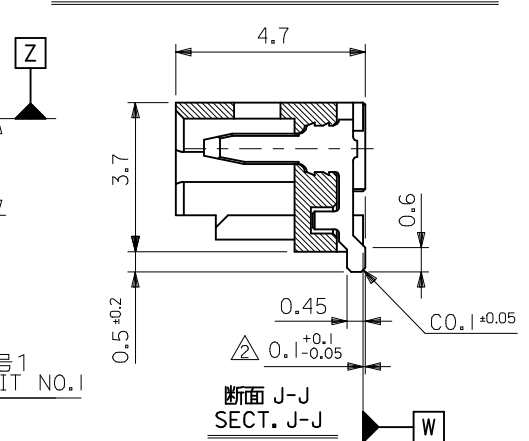
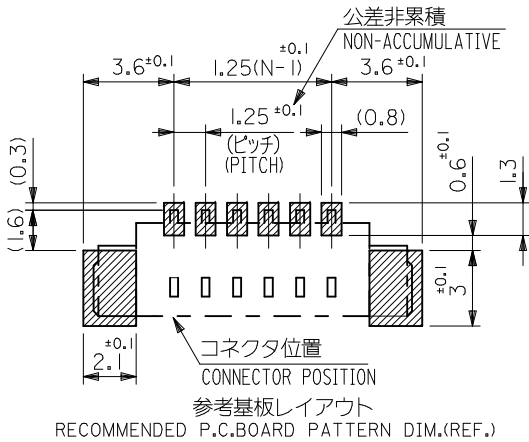
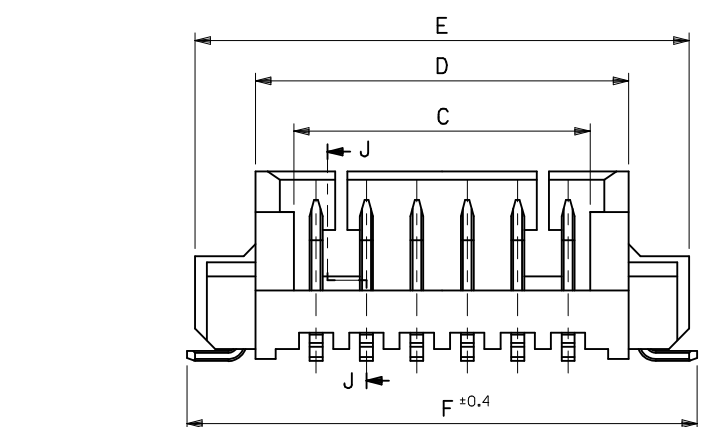
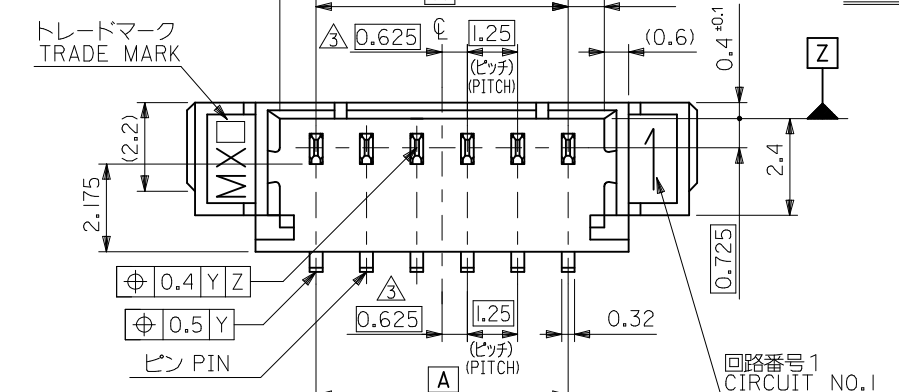
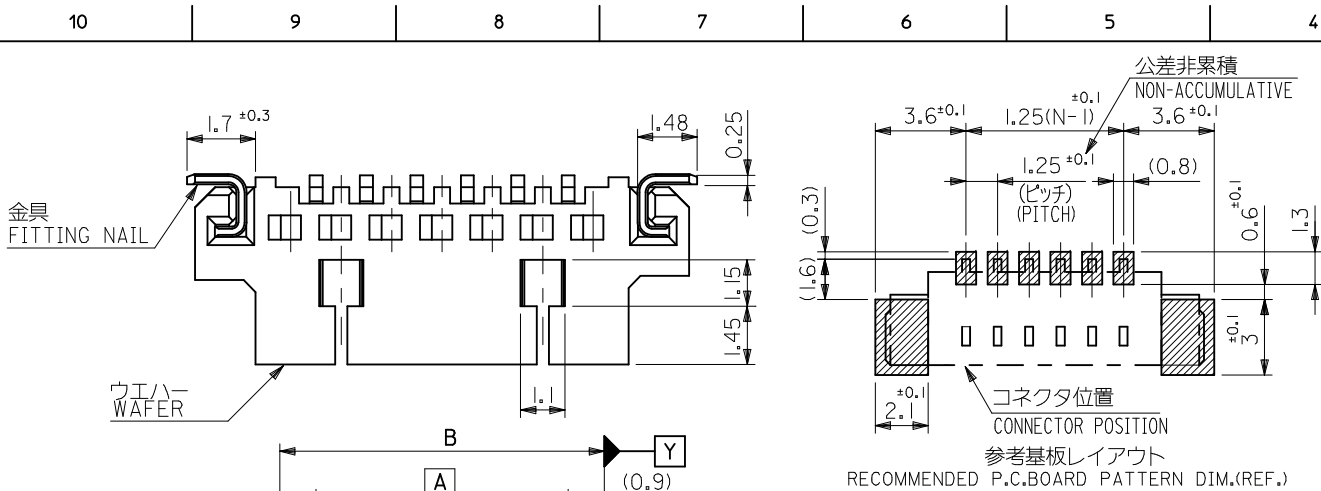
- 嵌合相手: 51021 シリーズ MATE WITH : 51021 SERIES
- 水平面上においての、ウエハー底面 [W] とソルダーテール及びフィッティングネイル底面とのズレ量を示す。
MISALIGNMENT OF SOLDER TAIL & FITTING NAIL FROM [W]
- 偶数極にのみ適用。APPLY EVEN CIRCUIT PRODUCTS.
- ロック窓は、2、3極は1ヶ所、4極以上は2ヶ所とする。
LOCKING WINDOW : ONE PLACE FOR 2&3 CKTS. TWO PLACES FOR MORE THAN 4 CKTS.
- 材質 MATERIAL PA, UL94V-0 COLOR:NATURAL
ウエハー : WAFER
ピン : リン青銅
PIN : PHOS-BRO
: 錫メッキ 1.0 マイクロメートル以上
: MATTE TIN 1.0 MICROMETER MINIMUM
: ニッケル下地 1.0 マイクロメートル以上
: NICKEL(UNDER PLATING) 1.0 MICROMETER MINIMUM
金具 FITTING NAIL : リン青銅
: PHOS-BRO
: 錫メッキ 1.0 マイクロメートル以上
: MATTE TIN 1.0 MICROMETER MINIMUM
: ニッケル下地 1.0 マイクロメートル以上
: NICKEL(UNDER PLATING) 1.0 MICROMETER MINIMUM
- 本製品は 53398-**10 の鉛フリー品である。
THIS PRODUCT IS LEAD FREE OF 53398-**10.
- ソルダーテール及び金具の平坦度は0.1以下。
SOLDER TAIL & FITTING NAIL COPLANARITY TO BE 0.1 MAX.
- ELV及びRoHS適合品
ELV AND RoHS COMPLIANT.



△ ロック形状図 LOCK CONFIGURATION

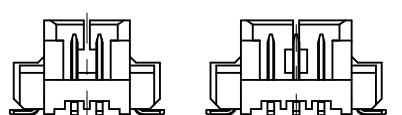


REVISED EC NO: J2017-0403 DRWN:SOBARA01 2017/01/24 CHK'D:AIDA 2017/01/31 APPR:KANAKO 2017/02/01	GENERAL TOLERANCES (UNLESS SPECIFIED)		DIMENSION STYLE MM ONLY		SCALE 8:1	MODEL NO. 53398-**19
	0.25 UNDER	UNDER	±0.03	DRAWN BY MNINOMIYA	DATE 04/02/06	TITLE PICOBLADE 1.25 HEADER ASSY SMT ST TYPE
	0.25 OVER	0.5 UNDER	±0.05	CHECKED BY KTOJO	DATE 04/02/06	molex
	0.5 OVER	1.0 UNDER	±0.1	APPROVED BY MSASAO	DATE 04/02/06	
1.0 OVER	10 UNDER	±0.2	MATERIAL NO.	DOCUMENT NO. SD-53398-032	SHEET NO. 1 OF 2	
10 OVER	30 UNDER	±0.25	SEE CHART		THIS DRAWING CONTAINS INFORMATION THAT IS PROPRIETARY TO MOLEX ELECTRONIC TECHNOLOGIES, LLC AND SHOULD NOT BE USED WITHOUT WRITTEN PERMISSION	
30 OVER		±0.3	DRAFT WHERE APPLICABLE MUST REMAIN WITHIN DIMENSIONS			
ANGULAR	±3 °		SIZE A3			



注記 NOTES

- 嵌合相手: 51021 シリーズ MATE WITH : 51021 SERIES
- 水平面上においての、ウエハー底面 [W] とソルダーテール及びフィッティングネイル底面とのズレ量を示す。
MISALIGNMENT OF SOLDER TAIL & FITTING NAIL FROM [W]
- 偶数極にのみ適用。APPLY EVEN CIRCUIT PRODUCTS.
- ロック窓は、2、3極は1ヶ所、4極以上は2ヶ所とする。
LOCKING WINDOW : ONE PLACE FOR 2&3 CKTS.
TWO PLACES FOR MORE THAN 4 CKTS.
- 材質 MATERIAL PA, UL94V-0 COLOR:NATURAL
ウエハー : WAFER
ピン : リン青銅
PIN : PHOS-BRO
: 錫メッキ 1.0マイクロメートル以上
: MATTE TIN 1.0 MICROMETER MINIMUM
: ニッケル下地 1.0マイクロメートル以上
: NICKEL(UNDER PLATING)1.0 MICROMETER MINIMUM
金具
FITTING NAIL : リン青銅
: PHOS-BRO
: 錫メッキ 1.0マイクロメートル以上
: MATTE TIN 1.0 MICROMETER MINIMUM
: ニッケル下地 1.0マイクロメートル以上
: NICKEL(UNDER PLATING)1.0 MICROMETER MINIMUM
- 本製品は 53398-**10 の鉛フリー品である。
THIS PRODUCT IS LEAD FREE OF 53398-**10.
- ソルダーテール及び金具の平坦度は0.1以下。
SOLDER TAIL & FITTING NAIL COPLANARITY TO BE 0.1 MAX.
- ELV及びRoHS適合品
ELV AND RoHS COMPLIANT.



2極 2 CKT.
3極 3 CKT.
△ロック形状図
LOCK CONFIGURATION

REVISED EC NO: J2017-0403 DRWN:SOBARA01 2017/01/24 CHK:DAIDA 2017/01/31 APPR:KANAKO 2017/02/01	GENERAL TOLERANCES (UNLESS SPECIFIED)		DIMENSION STYLE MM ONLY		SCALE 8:1	MODEL NO. 53398-**19
	0.25 UNDER	UNDER	±0.03	DRAWN BY MNINOMIYA	DATE 04/02/06	TITLE PICOBLADE 1.25 HEADER ASSY SMT ST TYPE
	0.25 OVER	0.5 UNDER	±0.05	CHECKED BY KTOJO	DATE 04/02/06	molex
	0.5 OVER	1.0 UNDER	±0.1	APPROVED BY MSASAO	DATE 04/02/06	
1.0 OVER	10 UNDER	±0.2	MATERIAL NO.	DOCUMENT NO.	SHEET NO.	
10 OVER	30 UNDER	±0.25	SEE CHART		SD-53398-032	1 OF 2
30 OVER		±0.3	DRAFT WHERE APPLICABLE MUST REMAIN WITHIN DIMENSIONS		THIS DRAWING CONTAINS INFORMATION THAT IS PROPRIETARY TO MOLEX ELECTRONIC TECHNOLOGIES, LLC AND SHOULD NOT BE USED WITHOUT WRITTEN PERMISSION	

10 9 8 7 6 5 4 3 2 1

F

F

E

E

D

D

C

C

B

B

A

A

23.9	23.5	20.5	18.6	19.3	17.5	53398-1571	15
22.65	22.25	19.25	17.35	18.05	16.25	53398-1471	14
21.4	21	18	16.1	16.8	15	53398-1371	13
20.15	19.75	16.75	14.85	15.55	13.75	53398-1271	12
18.9	18.5	15.5	13.6	14.3	12.5	53398-1171	11
17.65	17.25	14.25	12.35	13.05	11.25	53398-1071	10
16.4	16	13	11.1	11.8	10	53398-0971	9
15.15	14.75	11.75	9.85	10.55	8.75	53398-0871	8
13.9	13.5	10.5	8.6	9.3	7.5	53398-0771	7
12.65	12.25	9.25	7.35	8.05	6.25	53398-0671	6
11.4	11	8	6.1	6.8	5	53398-0571	5
10.15	9.75	6.75	4.85	5.55	3.75	53398-0471	4
8.9	8.5	5.5	3.6	4.3	2.5	53398-0371	3
7.65	7.25	4.25	2.35	3.05	1.25	53398-0271	2
F	E	D	C	B	A	EMBOSSED TAPE PKG. (HIGH BARRIER PKG.) ORDER No.	種数 No. of &T's.

CONNECTOR SERIES NO. 53398-***19

REVISED EC NO: J2017-0403 DRWNS0BARA01 2017/01/26 CHKDAIDA 2017/01/31 APPR:TKANEKO 2017/02/01	GENERAL TOLERANCES (UNLESS SPECIFIED)			DIMENSION STYLE MM ONLY		SCALE 8:1	DESIGN UNITS METRIC	THIRD ANGLE PROJECTION	
	0.25 UNDER	UNDER	± 0.03	DRAWN BY	DATE	TITLE			
	0.25 OVER	0.5 UNDER	± 0.05	MNINOMIYA	04/02/06	PICOBLADE 1.25 HEADER ASSY SMT ST TYPE			
	0.5 OVER	1.0 UNDER	± 0.1	CHECKED BY	DATE				
	1.0 OVER	10 UNDER	± 0.2	KTOJO	04/02/06	molex			
10 OVER	30 UNDER	± 0.25	APPROVED BY	DATE					
30 OVER		± 0.3	MSASAO	04/02/06	MATERIAL NO.	DOCUMENT NO.	SHEET NO.		
	ANGULAR	±3 °	SEE CHART		SD-53398-032		2 OF 2		
DRAFT WHERE APPLICABLE MUST REMAIN WITHIN DIMENSIONS				SIZE A3	THIS DRAWING CONTAINS INFORMATION THAT IS PROPRIETARY TO MOLEX ELECTRONIC TECHNOLOGIES, LLC AND SHOULD NOT BE USED WITHOUT WRITTEN PERMISSION				

9 8 7 6 5 4 3 2 1

10 9 8 7 6 5 4 3 2 1

F

F

E

E

D

D

C

C

B

B

A

A

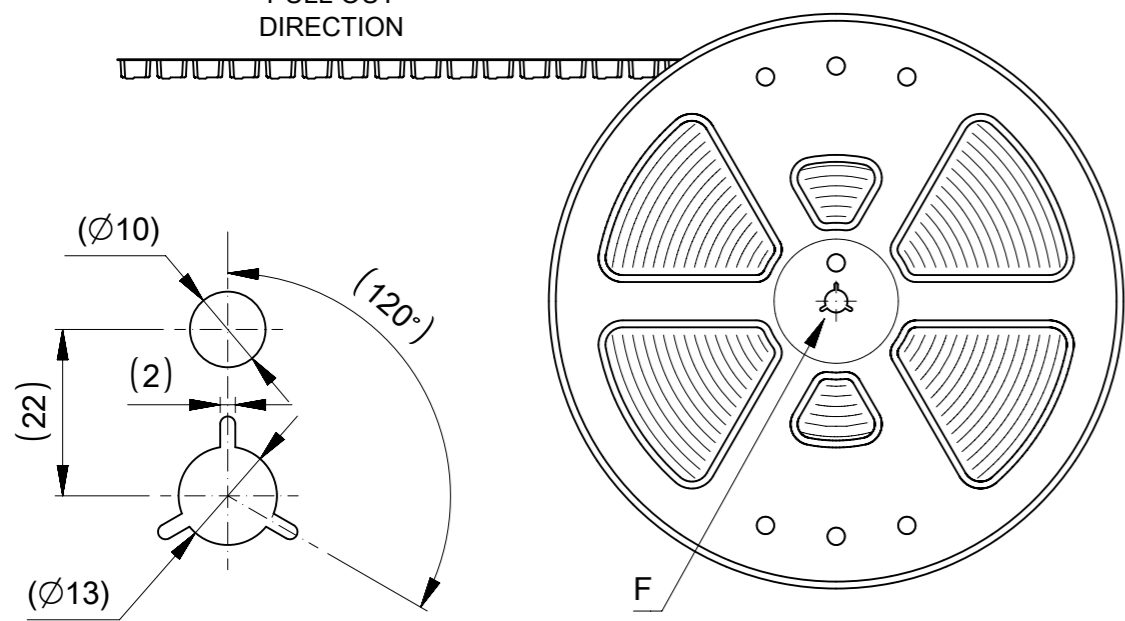
23.9	23.5	20.5	18.6	19.3	17.5	53398-1571	15
22.65	22.25	19.25	17.35	18.05	16.25	53398-1471	14
21.4	21	18	16.1	16.8	15	53398-1371	13
20.15	19.75	16.75	14.85	15.55	13.75	53398-1271	12
18.9	18.5	15.5	13.6	14.3	12.5	53398-1171	11
17.65	17.25	14.25	12.35	13.05	11.25	53398-1071	10
16.4	16	13	11.1	11.8	10	53398-0971	9
15.15	14.75	11.75	9.85	10.55	8.75	53398-0871	8
13.9	13.5	10.5	8.6	9.3	7.5	53398-0771	7
12.65	12.25	9.25	7.35	8.05	6.25	53398-0671	6
11.4	11	8	6.1	6.8	5	53398-0571	5
10.15	9.75	6.75	4.85	5.55	3.75	53398-0471	4
8.9	8.5	5.5	3.6	4.3	2.5	53398-0371	3
7.65	7.25	4.25	2.35	3.05	1.25	53398-0271	2
F	E	D	C	B	A	EMBOSSED TAPE PKG. (HIGH BARRIER PKG.) ORDER No.	種数 No. of &T's.

CONNECTOR SERIES NO. 53398-***19

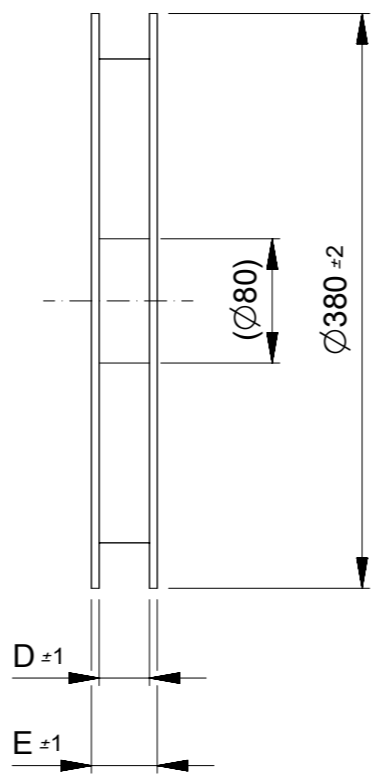
REVISED EC NO: J2017-0403 DRWNS0BARA01 2017/01/26 CHKDAIDA 2017/01/31 APPR:TKANEKO 2017/02/01	GENERAL TOLERANCES (UNLESS SPECIFIED)			DIMENSION STYLE MM ONLY		SCALE 8:1	DESIGN UNITS METRIC	THIRD ANGLE PROJECTION	
	0.25 UNDER	UNDER	± 0.03	DRAWN BY	DATE	TITLE			
	0.25 OVER	0.5 UNDER	± 0.05	MNINOMIYA	04/02/06	PICOBLADE 1.25 HEADER ASSY SMT ST TYPE			
	0.5 OVER	1.0 UNDER	± 0.1	CHECKED BY	DATE				
	1.0 OVER	10 UNDER	± 0.2	KTOJO	04/02/06	molex			
	10 OVER	30 UNDER	± 0.25	APPROVED BY	DATE				
30 OVER		± 0.3	MSASAO	04/02/06	MATERIAL NO.	DOCUMENT NO.	SHEET NO.		
ANGULAR	±3 °		SEE CHART		SD-53398-032		2 OF 2		
DRAFT WHERE APPLICABLE MUST REMAIN WITHIN DIMENSIONS				SIZE A3	THIS DRAWING CONTAINS INFORMATION THAT IS PROPRIETARY TO MOLEX ELECTRONIC TECHNOLOGIES, LLC AND SHOULD NOT BE USED WITHOUT WRITTEN PERMISSION				

9 8 7 6 5 4 3 2 1

引き出し方向
PULL OUT
DIRECTION

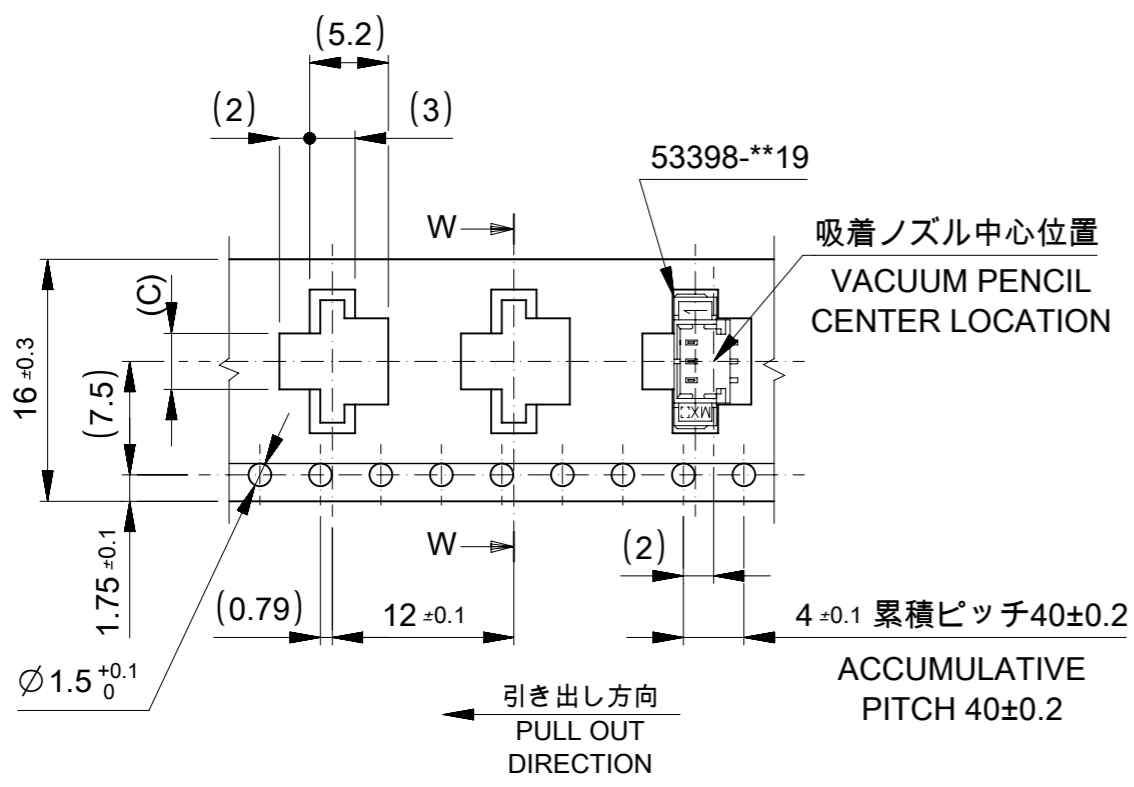
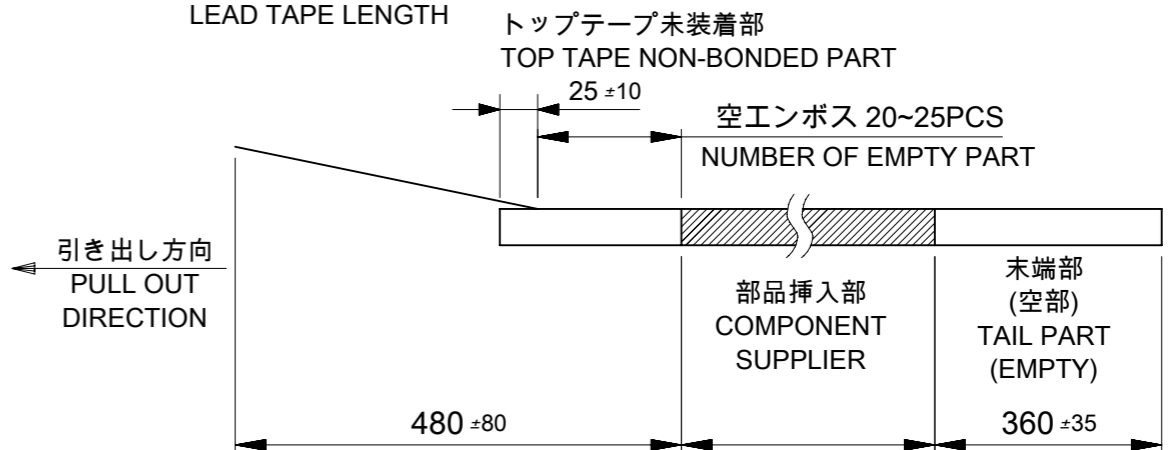


DETAIL F

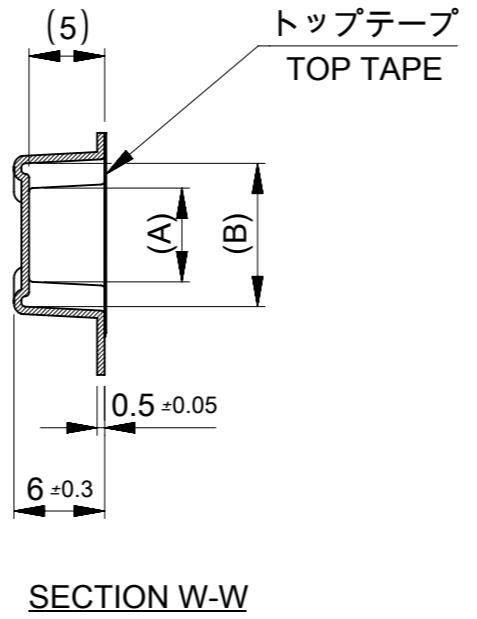


注釈 NOTE

- 梱包数量 : 1000個/リール
NUMBER OF CONNECTOR : 1000PCS / REEL
- リードテープ長さ
LEAD TAPE LENGTH
トップテープ未装着部
TOP TAPE NON-BONDED PART
25 ± 10
空エンボス 20~25PCS
NUMBER OF EMPTY PART
部品挿入部
COMPONENT
SUPPLIER
480 ± 80
末端部
(空部)
TAIL PART
(EMPTY)
360 ± 35
- コネクタ53398-**19の詳細寸法はSD-53398-032をご参照ください。
REFER TO DRAWING SD-53398-032 FOR DETAIL DIMENSION OF CONNECTOR 53398-**19.
- 材料 MATERIAL
キャリアテープ (CARRIER TAPE): ポリプロピレン (POLYPROPYLENE)
トップテープ (TOP TAPE): PET, PE, PEF
リール (REEL): ポリスチレン(PS) <リサイクル材含む>
POLYSTYREN(PS) <RECYCLE MATERIAL CONTAINED >
- 本製品は乾燥剤入り、ハイバリア梱包仕様である。
THIS PRODUCT IS HIGH BARRIER PACKAGE WITH DESICCANT.



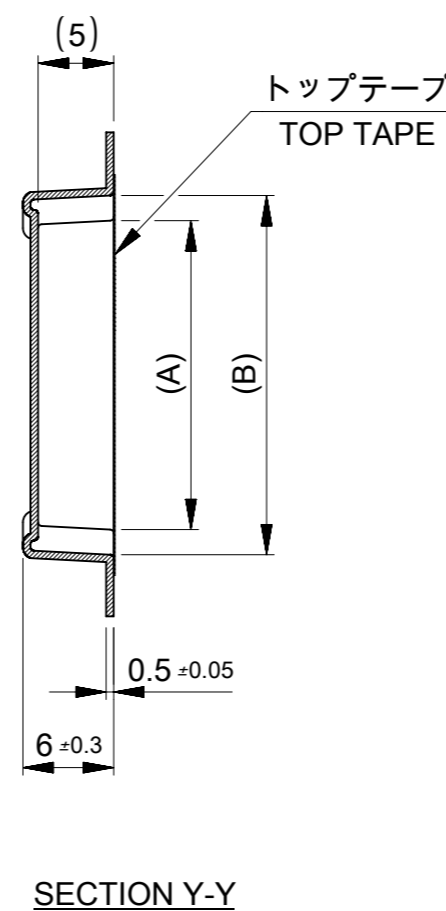
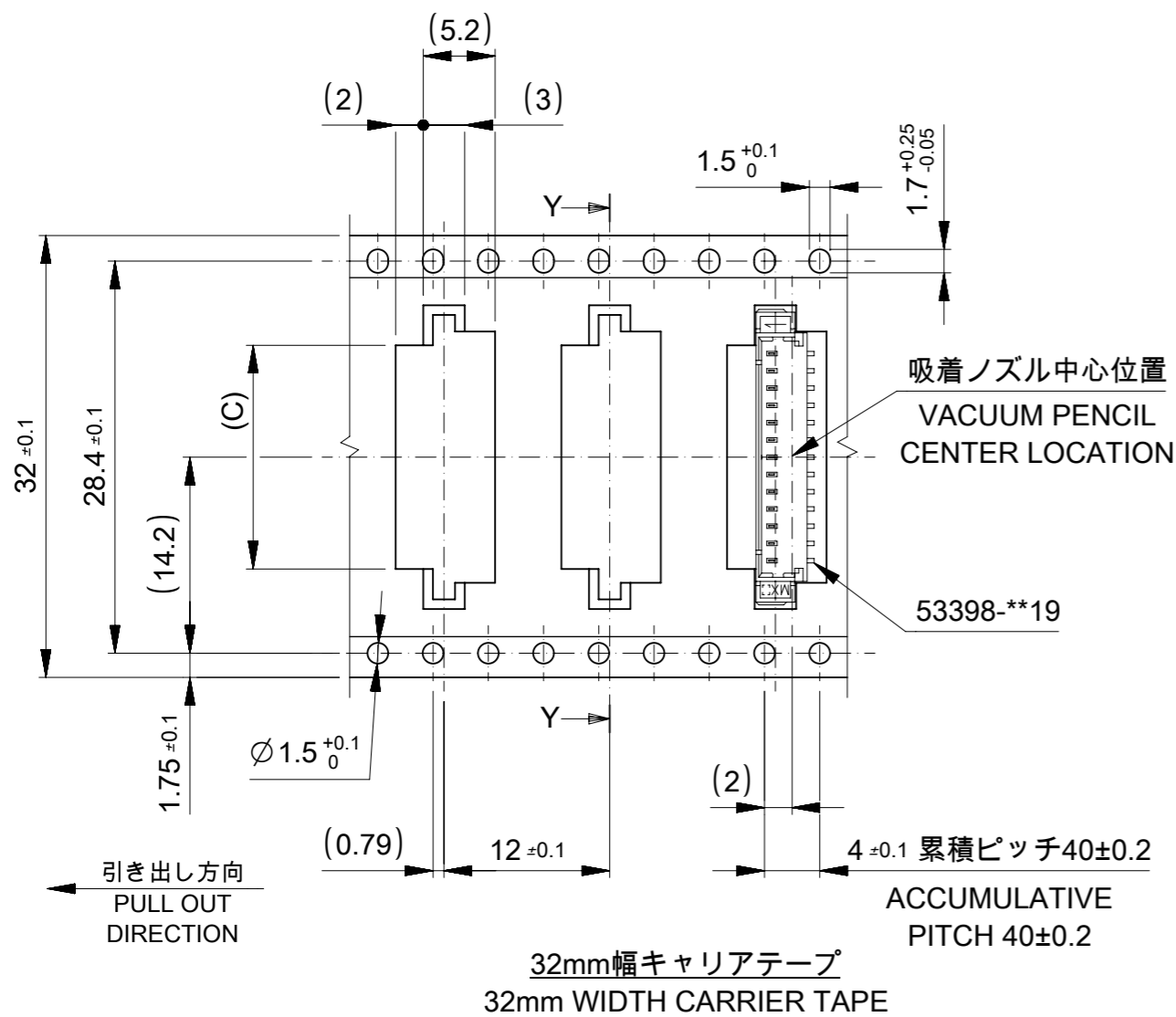
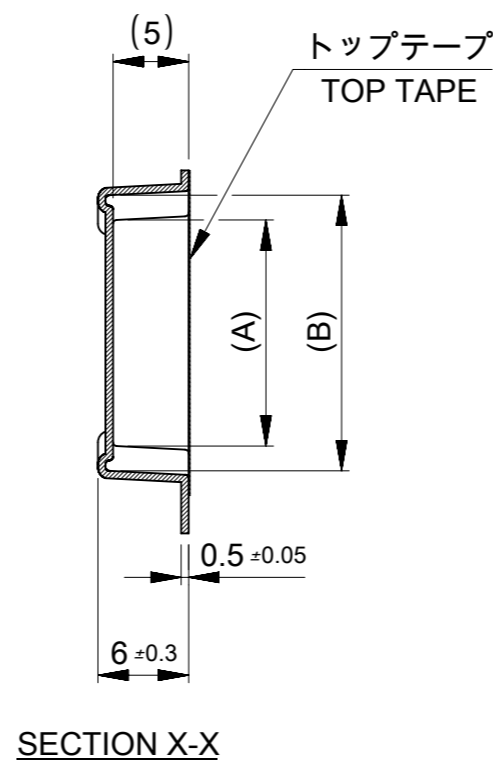
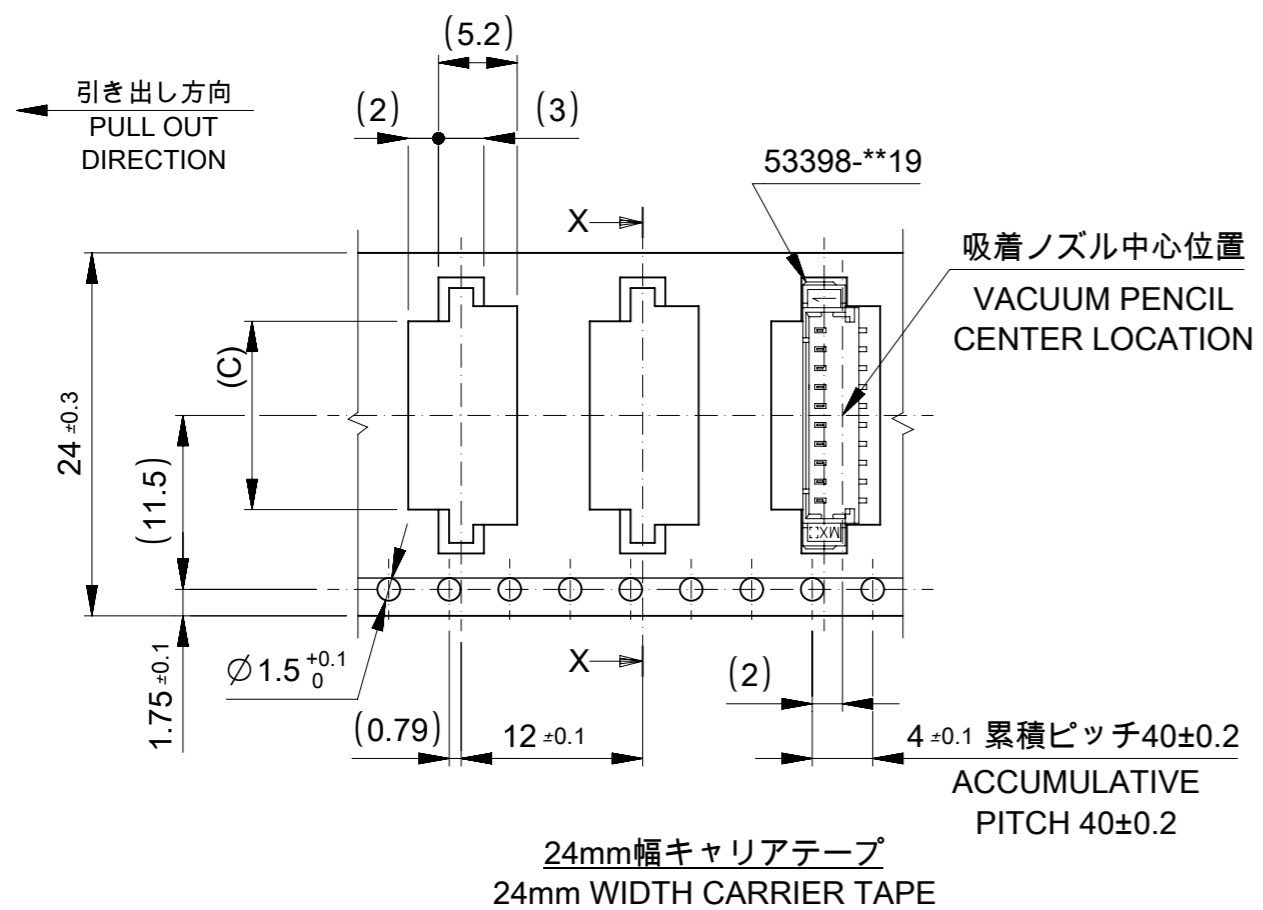
16mm幅キャリアテープ
16mm WIDTH CARRIER TAPE



SECTION W-W

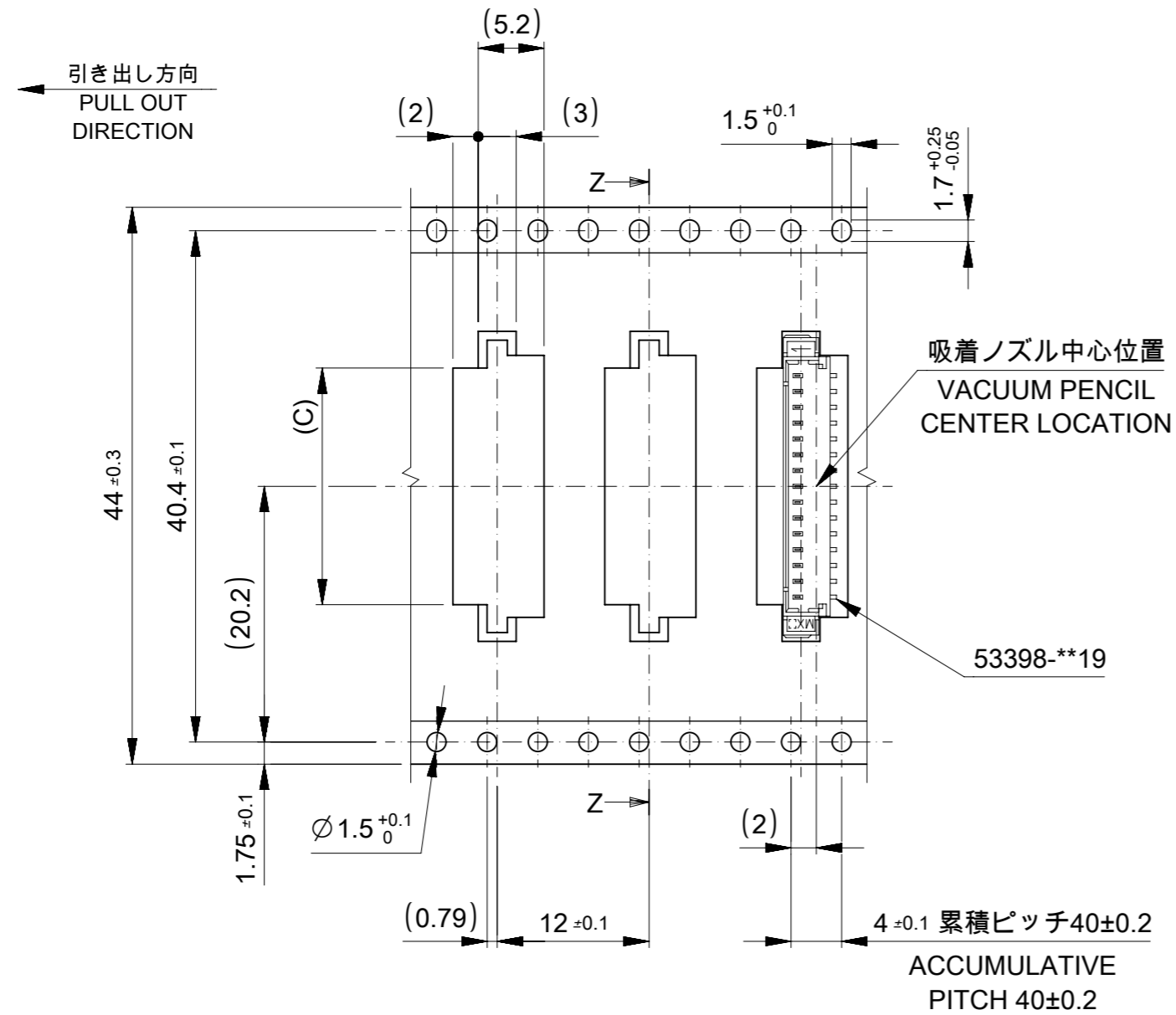
16	21.4	17.4	3.7	9.5	5.8	53398-0371	3
			2.45	8.25	4.55	53398-0271	2
キャリアテープ幅 CARRIER TAPE WIDTH	E	D	C	B	A	EMBOSSD TAPE PACKAGE オーダー番号 ORDER NO.	極数 CKT.

THIS DRAWING CONTAINS INFORMATION THAT IS PROPRIETARY TO MOLEX ELECTRONIC TECHNOLOGIES, LLC AND SHOULD NOT BE USED WITHOUT WRITTEN PERMISSION		CURRENT REV DESC:		molex	
DIMENSION UNITS	SCALE	EC NO: 174889			
mm	NTS	DRWN: SOBARA01 2018/04/10		PICOBALDE 1.25 W/B CONN. SMT ST EMBOSSD TAPE PACKAGE	
GENERAL TOLERANCES (UNLESS SPECIFIED)		CHK'D: TKANEKO 2018/04/13		PRODUCT CUSTOMER DRAWING	
ANGULAR TOL	± 3.0 °	APPR: TKANEKO 2018/04/13		DOCUMENT NUMBER	
4 PLACES	± 0.2	INITIAL REVISION:		SD-53398-033	
3 PLACES	± 0.2	DRWN: MNINOMIYA 2004/02/25		DOC TYPE	
2 PLACES	± 0.2	APPR: MSASAO 2004/02/26		PSD	
1 PLACE	± 0.2	DRAFT WHERE APPLICABLE MUST REMAIN WITHIN DIMENSIONS		DOC PART	
0 PLACES	± 0.2	THIRD ANGLE PROJECTION		001	
		DRAWING		REVISION	
		A3-SIZE		C	
		SERIES		SHEET NUMBER	
		53398		1 OF 4	
		MATERIAL NUMBER		CUSTOMER	
		SEE CHART		GENERAL MARKET	

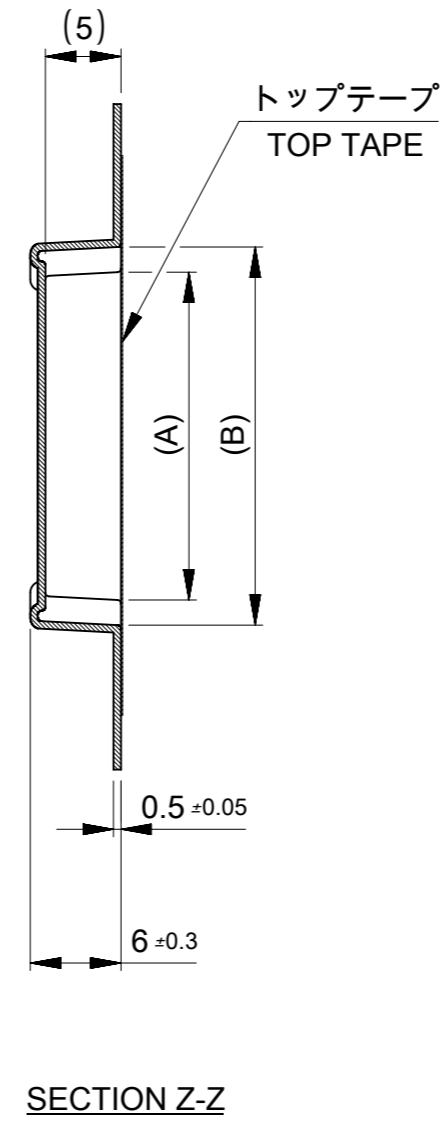


32	37.4	33.4	16.2	22	18.3	53398-1371	13
			14.95	20.75	17.05	53398-1271	12
			13.7	19.5	15.8	53398-1171	11
24	29.4	25.4	12.45	18.25	14.55	53398-1071	10
			11.2	17	13.3	53398-0971	9
			9.95	15.75	12.05	53398-0871	8
			8.7	14.5	10.8	53398-0771	7
			7.45	13.25	9.55	53398-0671	6
			6.2	12	8.3	53398-0571	5
			4.95	10.75	7.05	53398-0471	4
キャリアテープ幅 CARRIER TAPE WIDTH		E	D	C	B	A	EMBOSSED TAPE PACKAGE 極数 オーダー番号 ORDER NO. CKT.

THIS DRAWING CONTAINS INFORMATION THAT IS PROPRIETARY TO MOLEX ELECTRONIC TECHNOLOGIES, LLC AND SHOULD NOT BE USED WITHOUT WRITTEN PERMISSION		CURRENT REV DESC:		molex	
DIMENSION UNITS	SCALE				
mm	NTS			PICOBALDE 1.25 W/B CONN. SMT ST EMBOSSED TAPE PACKAGE	
GENERAL TOLERANCES (UNLESS SPECIFIED)		EC NO: 174889		PRODUCT CUSTOMER DRAWING	
ANGULAR TOL	± 3.0 °	DRWN: SOBARA01	2018/04/10	DOCUMENT NUMBER	
4 PLACES	± 0.2	CHK'D: TKANEKO	2018/04/13	SD-53398-033	
3 PLACES	± 0.2	APPR: TKANEKO	2018/04/13	DOC TYPE	DOC PART
2 PLACES	± 0.2	INITIAL REVISION:		PSD	001
1 PLACE	± 0.2	DRWN: MNINOMIYA	2004/02/25	REVISION	
0 PLACES	± 0.2	APPR: MSASAO	2004/02/26	C	
DRAFT WHERE APPLICABLE MUST REMAIN WITHIN DIMENSIONS		THIRD ANGLE PROJECTION	DRAWING	SERIES	MATERIAL NUMBER
			A3-SIZE	53398	SEE CHART
				CUSTOMER	SHEET NUMBER
				GENERAL MARKET	2 OF 4



44mm幅キャリアテープ
44mm WIDTH CARRIER TAPE

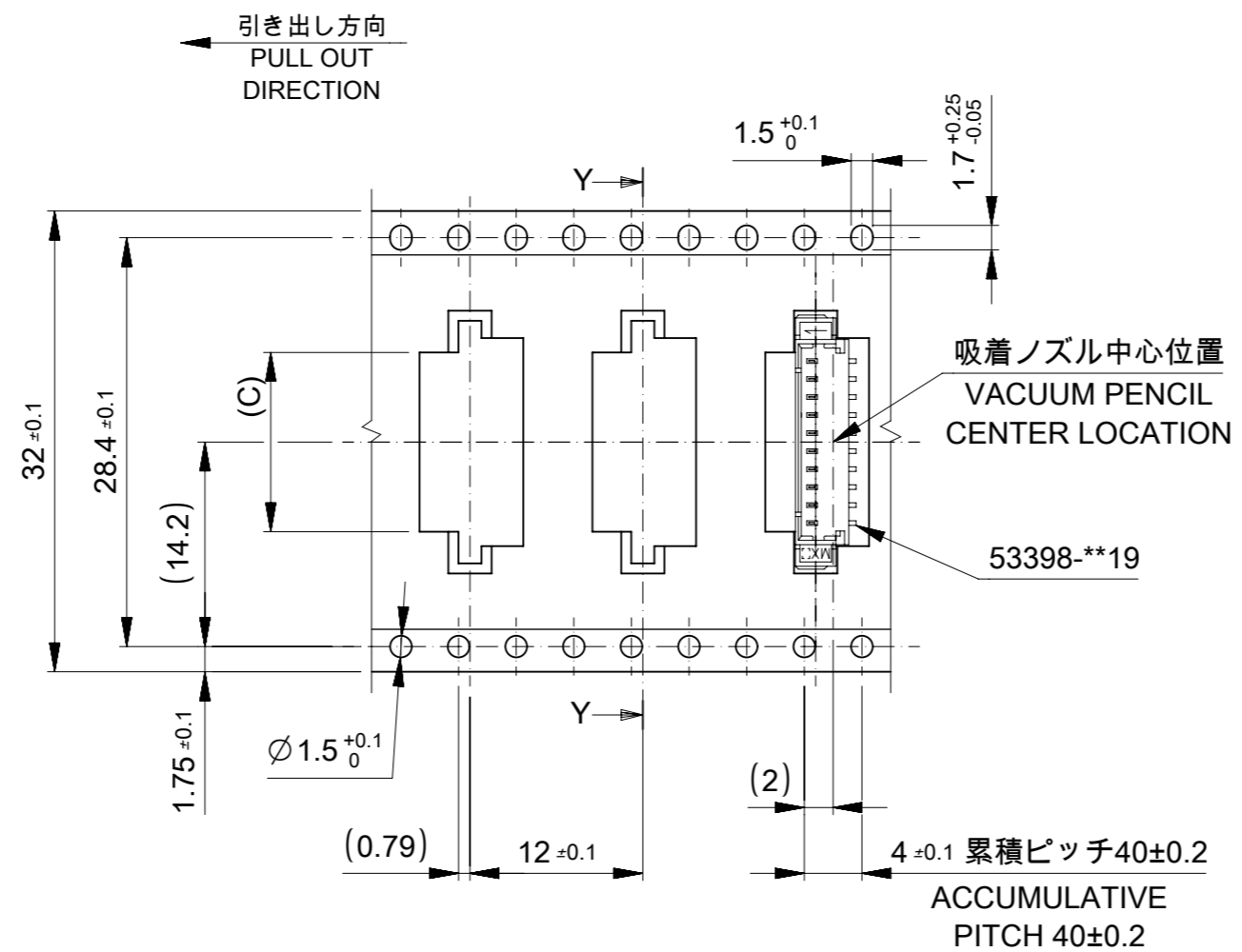


44	49.4	45.4	18.7	24.5	20.8	53261-1571	15
			17.45	23.25	19.55	53261-1471	14
キャリアテープ幅 CARRIER TAPE WIDTH	E	D	C	B	A	EMBOSSED TAPE PACKAGE オーダー番号 ORDER NO.	極数 CKT.

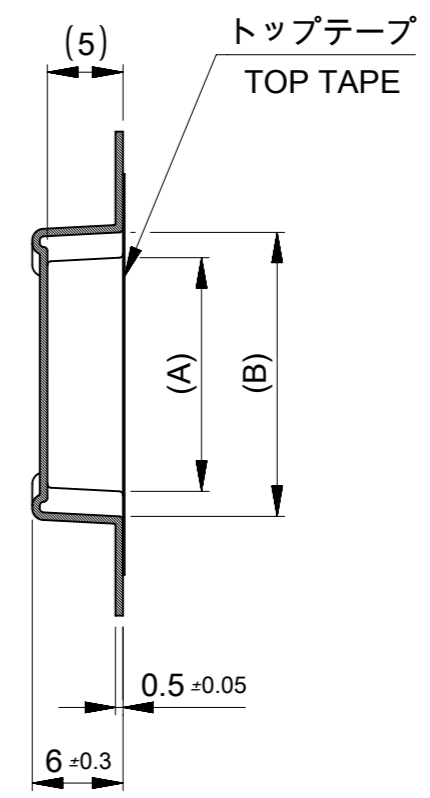
THIS DRAWING CONTAINS INFORMATION THAT IS PROPRIETARY TO MOLEX ELECTRONIC TECHNOLOGIES, LLC AND SHOULD NOT BE USED WITHOUT WRITTEN PERMISSION

DIMENSION UNITS mm	SCALE NTS	CURRENT REV DESC:		molex			
GENERAL TOLERANCES (UNLESS SPECIFIED)		EC NO: 174889					
ANGULAR TOL	± 3.0 °	DRWN: SOBARA01 2018/04/10		PRODUCT CUSTOMER DRAWING			
4 PLACES	± 0.2	CHK'D: TKANEKO 2018/04/13		DOCUMENT NUMBER			
3 PLACES	± 0.2	APPR: TKANEKO 2018/04/13		SD-53398-033			
2 PLACES	± 0.2	INITIAL REVISION:		DOC TYPE			
1 PLACE	± 0.2	DRWN: MNINOMIYA 2004/02/25		PSD			
0 PLACES	± 0.2	APPR: MSASAO 2004/02/26		DOC PART			
DRAFT WHERE APPLICABLE MUST REMAIN WITHIN DIMENSIONS		THIRD ANGLE PROJECTION	DRAWING	SERIES	MATERIAL NUMBER	CUSTOMER	REVISION
			A3-SIZE	53398	SEE CHART	GENERAL MARKET	001 C
							3 OF 4

53398-1071
 韓国生産分に適用
 APPLIES TO PRODUCT
 PRODUCED BY MXK



32mm幅キャリアテープ
 32mm WIDTH CARRIER TAPE



32	37.4	33.4	12.45	18.25	14.55	53398-1071	10
キャリアテープ幅 CARRIER TAPE WIDTH	E	D	C	B	A	EMBOSSED TAPE PACKAGE オーダー番号 ORDER NO.	極数 CKT.

THIS DRAWING CONTAINS INFORMATION THAT IS PROPRIETARY TO MOLEX ELECTRONIC TECHNOLOGIES, LLC AND SHOULD NOT BE USED WITHOUT WRITTEN PERMISSION		CURRENT REV DESC:		molex			
DIMENSION UNITS	SCALE	EC NO: 174889					
mm	NTS	DRWN: SOBARA01 2018/04/10		PRODUCT CUSTOMER DRAWING			
GENERAL TOLERANCES (UNLESS SPECIFIED)		CHK'D: TKANEKO 2018/04/13		DOCUMENT NUMBER			
ANGULAR TOL	± 3.0 °	APPR: TKANEKO 2018/04/13		SD-53398-033			
4 PLACES	± 0.2	INITIAL REVISION:		DOC TYPE	DOC PART		
3 PLACES	± 0.2	DRWN: MNINOMIYA 2004/02/25		PSD	001		
2 PLACES	± 0.2	APPR: MSASAO 2004/02/26		REVISION	C		
1 PLACE	± 0.2	DRAFT WHERE APPLICABLE MUST REMAIN WITHIN DIMENSIONS		SHEET NUMBER			
0 PLACES	± 0.2	THIRD ANGLE PROJECTION	DRAWING	SERIES	MATERIAL NUMBER		
			A3-SIZE	53398	SEE CHART		
				CUSTOMER	GENERAL MARKET		

Looking for pricing, stock, or lifecycle information?

Click below to explore more details on WIN SOURCE:

 [View 533980871 on WIN SOURCE](#)

 [Molex, LLC Information](#)

Optimize Your Supply Chain with WIN SOURCE Solutions

-  Global Sourcing Solution
-  Obsolete Management
-  Cost Control Management
-  Shortage Management
-  Alternative Solution
-  Excess Inventory Management