



THE DATASHEET OF LM3488MM/NOPB



LM3488/-Q1 Automotive High-Efficiency Controller for Boost, SEPIC and Fly-Back DC-DC Converters

1 Features

- Automotive Grade Product, AEC-Q100 Qualified
- 8-Lead VSSOP Package
- Internal Push-Pull Driver With 1-A Peak Current Capability
- Current Limit and Thermal Shutdown
- Frequency Compensation Optimized With a Capacitor and a Resistor
- Internal Soft-Start
- Current Mode Operation
- Undervoltage Lockout With Hysteresis
- Key Specifications:
 - Wide Supply Voltage Range of 2.97 V to 40 V
 - 100-kHz to 1-MHz Adjustable and Synchronizable Clock Frequency
 - $\pm 1.5\%$ (Overtemperature) Internal Reference
 - 5- μ A Shutdown Current (Overtemperature)
- Create a Custom Design Using the LM3488 with the [WEBENCH Power Designer](#)

2 Applications

- Automotive Start-Stop Applications
- Automotive ADAS Driver Information
- One Cell/Two Cell Li-ion Battery Powered Portable Bluetooth Audio Systems
- Notebooks, PDAs, Digital Cameras, and other Portable Applications
- Offline Power Supplies
- Set-Top Boxes
- Boost for Audio Amplifiers

3 Description

The LM3488 is a versatile low-side N-FET high-performance controller for switching regulators. This device is suitable for use in topologies requiring low-side FET, such as boost, flyback, or SEPIC. Moreover, the LM3488 can be operated at extremely high switching frequency to reduce the overall solution size. The switching frequency of LM3488 can be adjusted to any value from 100 kHz to 1 MHz by using a single external resistor or by synchronizing it to an external clock. Current mode control provides superior bandwidth and transient response, besides cycle-by-cycle current limiting. Output current can be programmed with a single external resistor.

The LM3488 has built-in features such as thermal shutdown, short-circuit protection, and overvoltage protection. Power-saving shutdown mode reduces the total supply current to 5 μ A and allows power supply sequencing. Internal soft-start limits the inrush current at start-up.

Device Information⁽¹⁾

PART NUMBER	PACKAGE	BODY SIZE (NOM)
LM3488	VSSOP (8)	3.00 mm x 3.00 mm
LM3488-Q1		

(1) For all available packages, see the orderable addendum at the end of the datasheet.



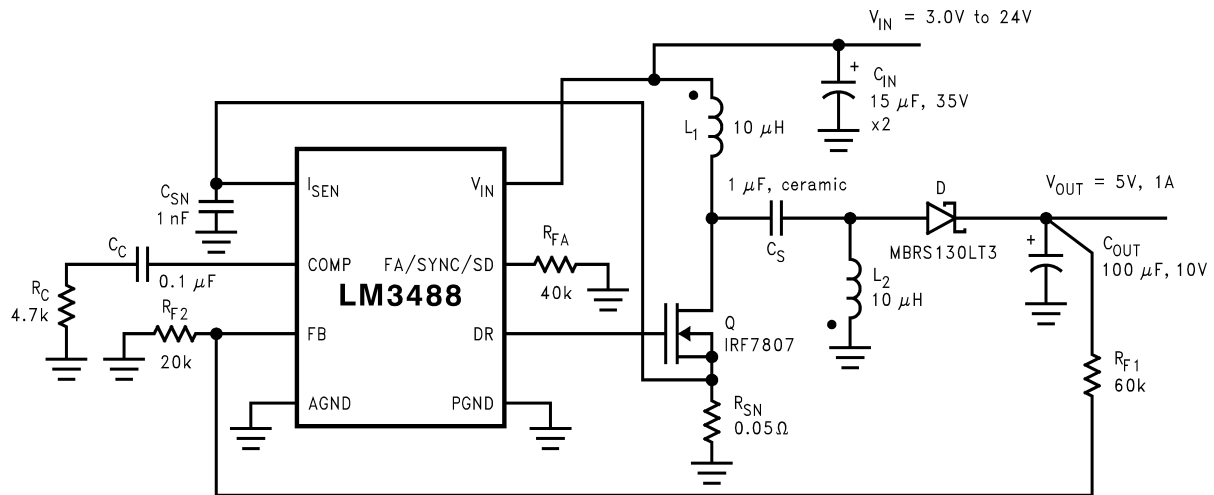
Typical SEPIC Converter


Table of Contents

1 Features	1	7.4 Device Functional Modes.....	17
2 Applications	1	8 Application and Implementation	18
3 Description	1	8.1 Application Information.....	18
4 Revision History	3	8.2 Typical Applications	18
5 Pin Configuration and Functions	4	9 Power Supply Recommendations	30
6 Specifications	4	10 Layout	30
6.1 Absolute Maximum Ratings	4	10.1 Layout Guidelines	30
6.2 ESD Ratings : LM3488	4	10.2 Layout Example	31
6.3 ESD Ratings: LM3488-Q1	5	11 Device and Documentation Support	31
6.4 Recommended Operating Conditions.....	5	11.1 Custom Design with WEBENCH Tools.....	31
6.5 Thermal Information	5	11.2 Receiving Notification of Documentation Updates	32
6.6 Electrical Characteristics.....	5	11.3 Related Links	32
6.7 Typical Characteristics.....	8	11.4 Trademarks	32
7 Detailed Description	12	11.5 Electrostatic Discharge Caution.....	32
7.1 Overview	12	11.6 Glossary	32
7.2 Functional Block Diagram	13	12 Mechanical, Packaging, and Orderable	32
7.3 Feature Description.....	13	Information	32

4 Revision History

Changes from Revision N (December 2014) to Revision O Page

• Changed Datasheet title	1
• Changed Handling Ratings to ESD Ratings	5

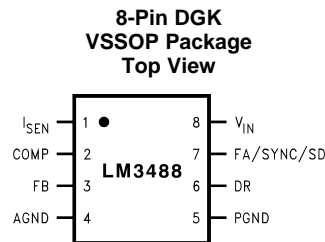
Changes from Revision M (March 2013) to Revision N Page

• Added <i>Pin Configuration and Functions</i> section, <i>Handling Rating</i> table, <i>Feature Description</i> section, <i>Device Functional Modes</i> , <i>Application and Implementation</i> section, <i>Power Supply Recommendations</i> section, <i>Layout</i> section, <i>Device and Documentation Support</i> section, and <i>Mechanical, Packaging, and Orderable Information</i> section	1
• Changed ESD Table and Features section.....	1
• Changed application information.	1

Changes from Revision L (March 2013) to Revision M Page

• Changed layout of National Data Sheet to TI format	32
--	-----------

5 Pin Configuration and Functions



Pin Functions

PIN		TYPE	DESCRIPTION
NAME	NO.		
I_{SEN}	1	I	Current sense input pin. Voltage generated across an external sense resistor is fed into this pin.
COMP	2	A	Compensation pin. A resistor, capacitor combination connected to this pin provides compensation for the control loop.
FB	3	I	Feedback pin. The output voltage should be adjusted using a resistor divider to provide 1.26 V at this pin.
AGND	4	P	Analog ground pin.
PGND	5	P	Power ground pin.
DR	6	O	Drive pin of the IC. The gate of the external MOSFET should be connected to this pin.
FA/SYNC/SD	7	A	Frequency adjust, synchronization, and Shutdown pin. A resistor connected to this pin sets the oscillator frequency. An external clock signal at this pin will synchronize the controller to the frequency of the clock. A high level on this pin for $\geq 30 \mu\text{s}$ will turn the device off. The device will then draw less than $10 \mu\text{A}$ from the supply.
V_{IN}	8	P	Power supply input pin.

6 Specifications

6.1 Absolute Maximum Ratings ⁽¹⁾

	MIN	MAX	UNIT
Input voltage		45	V
FB pin voltage	$-0.4 < V_{FB}$	$V_{FB} < 7$	V
FA/SYNC/SD pin voltage	$-0.4 < V_{FA/SYNC/SD}$	$V_{FA/SYNC/SD} < 7$	V
Peak driver output current ($< 10 \mu\text{s}$)		1	A
Power dissipation		Internally Limited	
Junction temperature		150	$^{\circ}\text{C}$
Lead temperature	Vapor Phase (60 s)	215	$^{\circ}\text{C}$
	Infrared (15 s)	260	$^{\circ}\text{C}$
DR pin voltage	$-0.4 \leq V_{DR}$	$V_{DR} \leq 8$	V
I_{LIM} pin voltage		600	mV

- (1) Absolute Maximum Ratings are limits beyond which damage to the device may occur. [Recommended Operating Conditions](#) are conditions under which operation of the device is intended to be functional. For specifications and test conditions, see the [Electrical Characteristics](#).

6.2 ESD Ratings : LM3488

	MIN	MAX	UNIT	
$V_{(ESD)}$ Electrostatic discharge	Human body model (HBM), per ANSI/ESDA/JEDEC JS-001, all pins ⁽¹⁾	-2000	2000	V
	Charged device model (CDM), per JEDEC specification JESD22-C101, all pins ⁽²⁾	-750	750	

- (1) JEDEC document JEP155 states that 500-V HBM allows safe manufacturing with a standard ESD control process.

- (2) JEDEC document JEP157 states that 250-V CDM allows safe manufacturing with a standard ESD control process.

6.3 ESD Ratings: LM3488-Q1

				MIN	MAX	UNIT
V _(ESD)	Electrostatic discharge	Human body model (HBM), per AEC Q100-002 ⁽¹⁾		-2000	2000	V
		Charged device model (CDM), per AEC Q100-011	Corner pins (1, 4, 5, and 8)	-750	750	
			Other pins	-750	750	

(1) AEC Q100-002 indicates HBM stressing is done in accordance with the ANSI/ESDA/JEDEC JS-001 specification.

6.4 Recommended Operating Conditions

	MIN	MAX	UNIT
Supply Voltage	$2.97 \leq V_{IN}$	$V_{IN} \leq 40$	V
Junction Temperature Range	$-40 \leq T_J$	$T_J \leq 125$	°C
Switching Frequency	$100 \leq F_{SW}$	$F_{SW} \leq 1$	kHz/MHz

6.5 Thermal Information

THERMAL METRIC ⁽¹⁾		LM3488, LM3488-Q1	UNIT
		DGK	
		8 PINS	
R _{θJA}	Junction-to-ambient thermal resistance	160	°C/W
R _{θJC(top)}	Junction-to-case (top) thermal resistance	50	
R _{θJB}	Junction-to-board thermal resistance	77	
ψ _{JT}	Junction-to-top characterization parameter	4.7	
ψ _{JB}	Junction-to-board characterization parameter	76	

(1) For more information about traditional and new thermal metrics, see the *IC Package Thermal Metrics* application report, [SPRA953](#).

6.6 Electrical Characteristics

Unless otherwise specified, V_{IN} = 12 V, R_{FA} = 40 kΩ, T_J = 25°C

	PARAMETER	TEST CONDITIONS	MIN	TYP	MAX	UNIT
V _{FB}	Feedback Voltage	V _{COMP} = 1.4 V, 2.97 ≤ V _{IN} ≤ 40 V	1.2507	1.26	1.2753	V
		V _{COMP} = 1.4 V, 2.97 ≤ V _{IN} ≤ 40 V, -40°C ≤ T _J ≤ 125°C	1.24		1.28	
ΔV _{LINE}	Feedback Voltage Line Regulation	2.97 ≤ V _{IN} ≤ 40 V		0.001		%/V
ΔV _{LOAD}	Output Voltage Load Regulation	I _{EAO} Source/Sink		±0.5		%/V (max)
V _{UVLO}	Input Undervoltage Lock-out			2.85		V
		-40°C ≤ T _J ≤ 125°C			2.97	
V _{UV(HYS)}	Input Undervoltage Lock-out Hysteresis			170		mV
		-40°C ≤ T _J ≤ 125°C	130		210	
F _{nom}	Nominal Switching Frequency	R _{FA} = 40 kΩ		400		kHz
		R _{FA} = 40 kΩ, -40°C ≤ T _J ≤ 125°C	360		430	
R _{DS1 (ON)}	Driver Switch On Resistance (top)	I _{DR} = 0.2A, V _{IN} = 5 V		16		Ω
R _{DS2 (ON)}	Driver Switch On Resistance (bottom)	I _{DR} = 0.2A		4.5		Ω
V _{DR (max)}	Maximum Drive Voltage Swing ⁽¹⁾	V _{IN} < 7.2 V		V _{IN}		V
		V _{IN} ≥ 7.2 V		7.2		
D _{max}	Maximum Duty Cycle ⁽²⁾			100%		

(1) The voltage on the drive pin, V_{DR} is equal to the input voltage when input voltage is less than 7.2 V. V_{DR} is equal to 7.2 V when the input voltage is greater than or equal to 7.2 V.

(2) The limits for the maximum duty cycle can not be specified since the part does not permit less than 100% maximum duty cycle operation.

Electrical Characteristics (continued)

 Unless otherwise specified, $V_{IN} = 12\text{ V}$, $R_{FA} = 40\text{ k}\Omega$, $T_J = 25^\circ\text{C}$

	PARAMETER	TEST CONDITIONS	MIN	TYP	MAX	UNIT
T_{\min} (on)	Minimum On Time			325		nsec
		$-40^\circ\text{C} \leq T_J \leq 125^\circ\text{C}$	230		550	
I_{SUPPLY}	Supply Current (switching)	See ⁽³⁾		2.7		mA
		See ⁽³⁾ , $-40^\circ\text{C} \leq T_J \leq 125^\circ\text{C}$			3.0	
I_Q	Quiescent Current in Shutdown Mode	$V_{FA}/\text{SYNC}/\text{SD} = 5\text{ V}^{(4)}$, $V_{IN} = 5\text{ V}$		5		μA
		$V_{FA}/\text{SYNC}/\text{SD} = 5\text{ V}^{(4)}$, $V_{IN} = 5\text{ V}$, $-40^\circ\text{C} \leq T_J \leq 125^\circ\text{C}$			7	
V_{SENSE}	Current Sense Threshold Voltage	$V_{IN} = 5\text{ V}$	135	156	180	mV
		$V_{IN} = 5\text{ V}$, $-40^\circ\text{C} \leq T_J \leq 125^\circ\text{C}$	125		190	
V_{SC}	Short-Circuit Current Limit Sense Voltage	$V_{IN} = 5\text{ V}$		343		mV
		$V_{IN} = 5\text{ V}$, $-40^\circ\text{C} \leq T_J \leq 125^\circ\text{C}$	250		415	
V_{SL}	Internal Compensation Ramp Voltage	$V_{IN} = 5\text{ V}$		92		mV
		$V_{IN} = 5\text{ V}$, $-40^\circ\text{C} \leq T_J \leq 125^\circ\text{C}$	52		132	
$V_{\text{SL ratio}}$	$V_{\text{SL}}/V_{\text{SENSE}}$		0.30	0.49	0.70	
V_{OVP}	Output Overvoltage Protection (with respect to feedback voltage) ⁽⁵⁾	$V_{\text{COMP}} = 1.4\text{ V}$	32	50	78	mV
		$V_{\text{COMP}} = 1.4\text{ V}$, $-40^\circ\text{C} \leq T_J \leq 125^\circ\text{C}$	25		85	
$V_{\text{OVP(HYS)}}$	Output Over-Voltage Protection Hysteresis ⁽⁵⁾	$V_{\text{COMP}} = 1.4\text{ V}$		60		mV
		$V_{\text{COMP}} = 1.4\text{ V}$, $-40^\circ\text{C} \leq T_J \leq 125^\circ\text{C}$	20		110	
G_m	Error Amplifier Transconductance	$V_{\text{COMP}} = 1.4\text{ V}$, $I_{\text{EAO}} = 100\text{ }\mu\text{A}$ (Source/Sink)	600	800	1000	μmho
		$V_{\text{COMP}} = 1.4\text{ V}$, $I_{\text{EAO}} = 100\text{ }\mu\text{A}$ (Source/Sink), $-40^\circ\text{C} \leq T_J \leq 125^\circ\text{C}$	365		1265	
A_{VOL}	Error Amplifier Voltage Gain	$V_{\text{COMP}} = 1.4\text{ V}$, $I_{\text{EAO}} = 100\text{ }\mu\text{A}$ (Source/Sink)		38		V/V
		$V_{\text{COMP}} = 1.4\text{ V}$, $I_{\text{EAO}} = 100\text{ }\mu\text{A}$ (Source/Sink), $-40^\circ\text{C} \leq T_J \leq 125^\circ\text{C}$	26		44	
I_{EAO}	Error Amplifier Output Current (Source/Sink)	Source, $V_{\text{COMP}} = 1.4\text{ V}$, $V_{\text{FB}} = 0\text{ V}$	80	110	140	μA
		Source, $V_{\text{COMP}} = 1.4\text{ V}$, $V_{\text{FB}} = 0\text{ V}$, $-40^\circ\text{C} \leq T_J \leq 125^\circ\text{C}$	50		180	
		Sink, $V_{\text{COMP}} = 1.4\text{ V}$, $V_{\text{FB}} = 1.4\text{ V}$	-100	-140	-180	μA
		Sink, $V_{\text{COMP}} = 1.4\text{ V}$, $V_{\text{FB}} = 1.4\text{ V}$, $-40^\circ\text{C} \leq T_J \leq 125^\circ\text{C}$	-85		-185	
V_{EAO}	Error Amplifier Output Voltage Swing	Upper Limit: $V_{\text{FB}} = 0\text{ V}$, COMP Pin = Floating		2.2		V
		Upper Limit: $V_{\text{FB}} = 0\text{ V}$, COMP Pin = Floating, $-40^\circ\text{C} \leq T_J \leq 125^\circ\text{C}$	1.8		2.4	
		Lower Limit: $V_{\text{FB}} = 1.4\text{ V}$		0.56		V
		Lower Limit: $V_{\text{FB}} = 1.4\text{ V}$, $-40^\circ\text{C} \leq T_J \leq 125^\circ\text{C}$	0.2		1.0	
T_{SS}	Internal Soft-Start Delay	$V_{\text{FB}} = 1.2\text{ V}$, $V_{\text{COMP}} = \text{Floating}$		4		ms
T_r	Drive Pin Rise Time	$C_{\text{gs}} = 3000\text{ pf}$, $V_{\text{DR}} = 0\text{ to }3\text{ V}$		25		ns
T_f	Drive Pin Fall Time	$C_{\text{gs}} = 3000\text{ pf}$, $V_{\text{DR}} = 0\text{ to }3\text{ V}$		25		ns

(3) For this test, the FA/SYNC/SD Pin is pulled to ground using a 40K resistor .

(4) For this test, the FA/SYNC/SD Pin is pulled to 5 V using a 40K resistor.

(5) The over-voltage protection is specified with respect to the feedback voltage. This is because the over-voltage protection tracks the feedback voltage. The over-voltage threshold can be calculated by adding the feedback voltage, V_{FB} to the over-voltage protection specification.

Electrical Characteristics (continued)

Unless otherwise specified, $V_{IN} = 12\text{ V}$, $R_{FA} = 40\text{ k}\Omega$, $T_J = 25^\circ\text{C}$

	PARAMETER	TEST CONDITIONS	MIN	TYP	MAX	UNIT
VSD	Shutdown and Synchronization signal threshold ⁽⁶⁾	Output = High		1.27		V
		Output = High, $-40^\circ\text{C} \leq T_J \leq 125^\circ\text{C}$			1.4	
		Output = Low		0.65		V
		Output = Low, $-40^\circ\text{C} \leq T_J \leq 125^\circ\text{C}$	0.3			
I _{SD}	Shutdown Pin Current	$V_{SD} = 5\text{ V}$		-1		μA
		$V_{SD} = 0\text{ V}$		+1		
I _{FB}	Feedback Pin Current			15		nA
TSD	Thermal Shutdown			165		$^\circ\text{C}$
T _{sh}	Thermal Shutdown Hysteresis			10		$^\circ\text{C}$

(6) The FA/SYNC/SD pin should be pulled to V_{IN} through a resistor to turn the regulator off.

6.7 Typical Characteristics

Unless otherwise specified, $V_{IN} = 12V$, $T_J = 25^\circ C$.

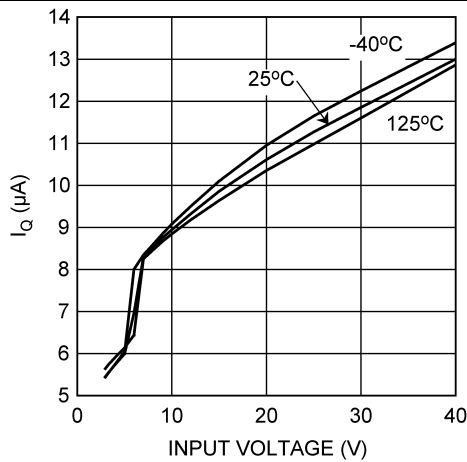


Figure 1. I_Q vs Temperature & Input Voltage

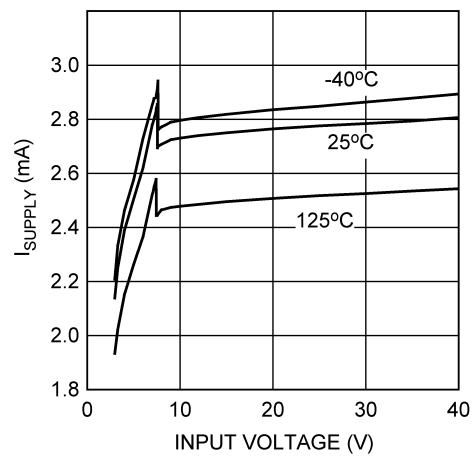


Figure 2. I_{Supply} vs Input Voltage (Non-Switching)

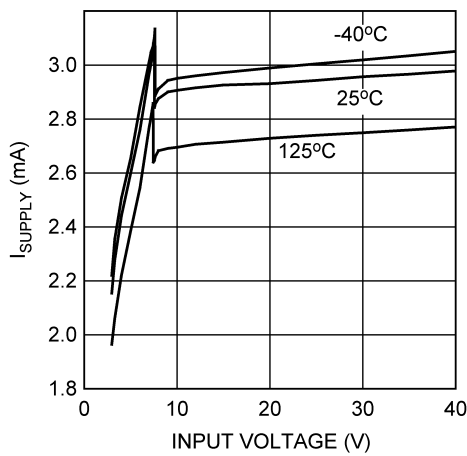


Figure 3. I_{Supply} vs V_{IN}

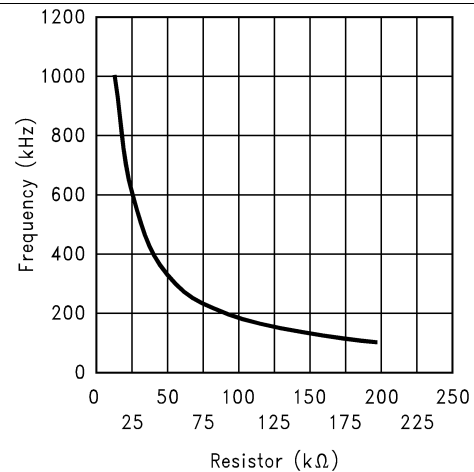


Figure 4. Switching Frequency vs RFA

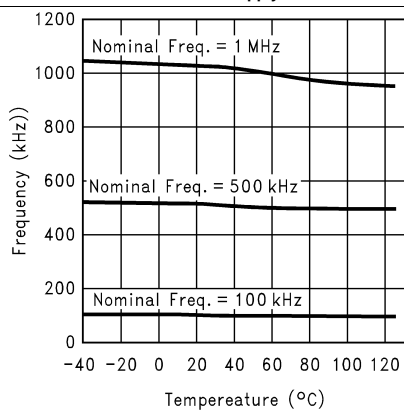


Figure 5. Frequency vs Temperature

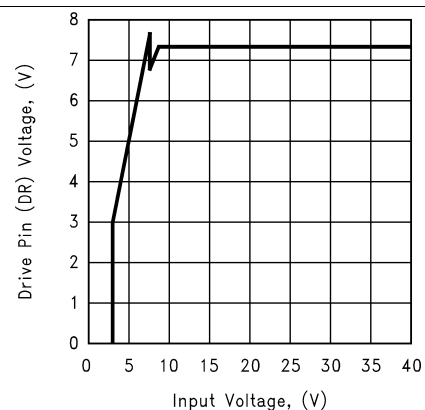


Figure 6. Drive Voltage vs Input Voltage

Typical Characteristics (continued)

Unless otherwise specified, $V_{IN} = 12V$, $T_J = 25^\circ C$.

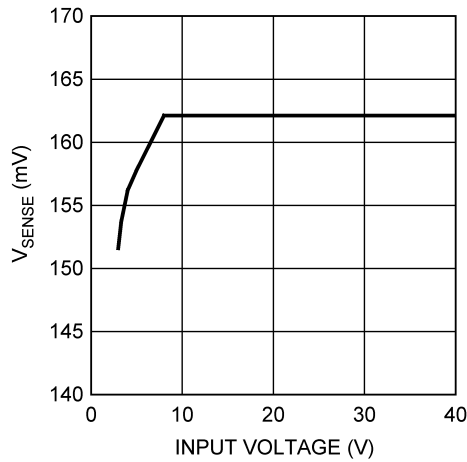


Figure 7. Current Sense Threshold vs Input Voltage

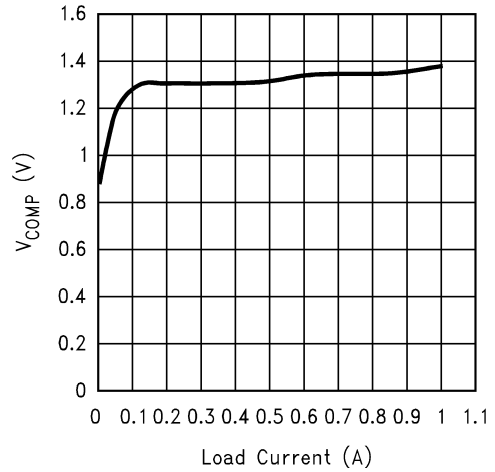


Figure 8. COMP Pin Voltage vs Load Current

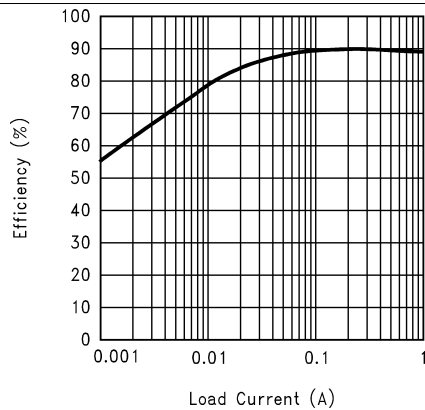


Figure 9. Efficiency vs Load Current (3.3 V In and 12 V Out)

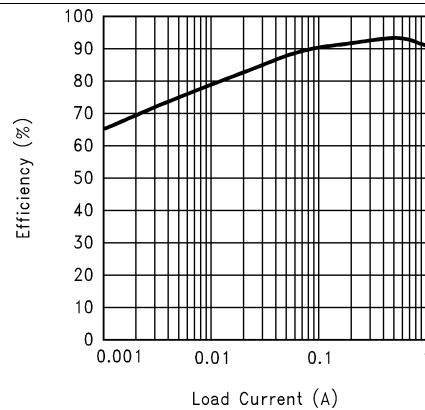


Figure 10. Efficiency vs Load Current (5 V In and 12 V Out)

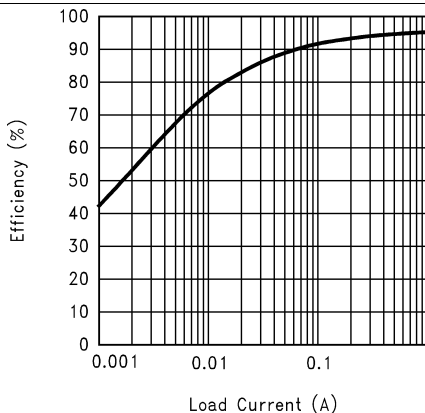


Figure 11. Efficiency vs Load Current (9 V In and 12 V Out)

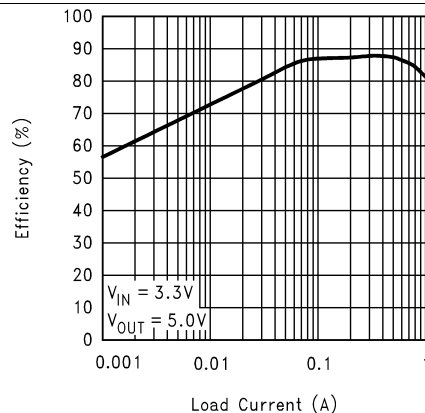


Figure 12. Efficiency vs Load Current (3.3 V In and 5 V Out)

Typical Characteristics (continued)

Unless otherwise specified, $V_{IN} = 12V$, $T_J = 25^\circ C$.

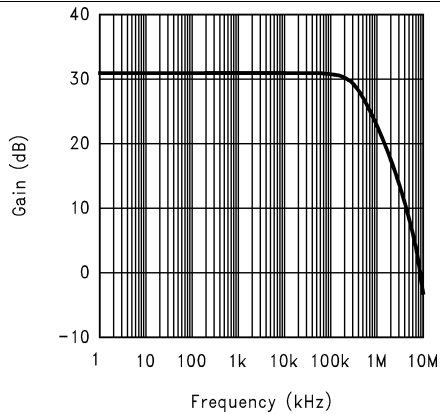


Figure 13. Error Amplifier Gain

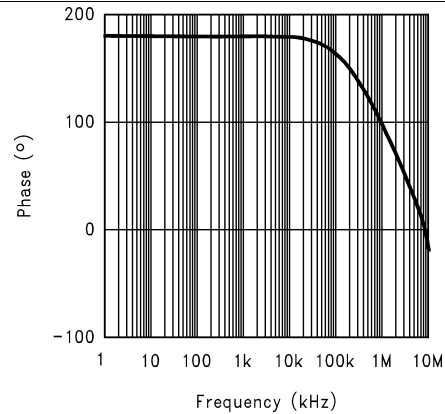


Figure 14. Error Amplifier Phase

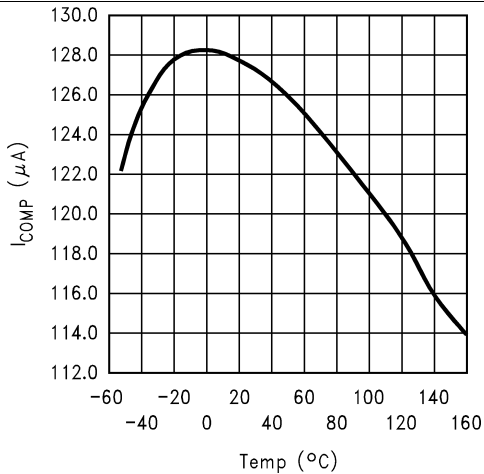


Figure 15. COMP Pin Source Current vs Temperature

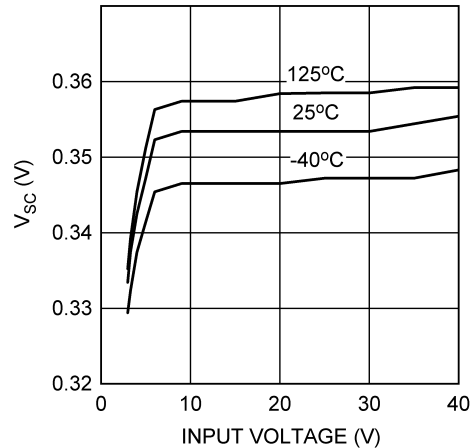


Figure 16. Short Circuit Protection vs Input Voltage

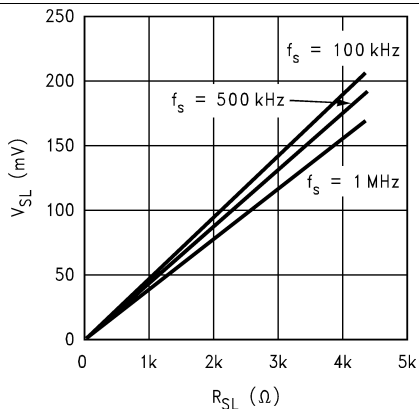


Figure 17. Compensation Ramp vs Compensation Resistor

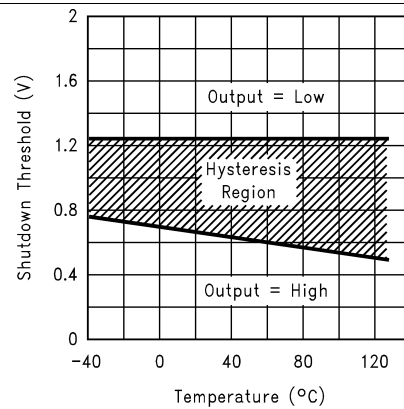
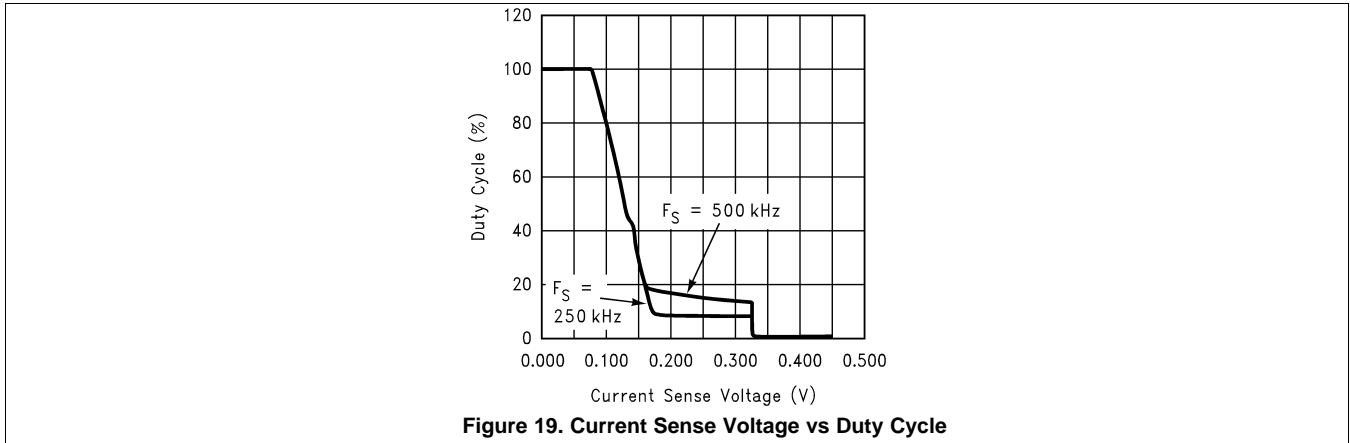


Figure 18. Shutdown Threshold Hysteresis vs Temperature

Typical Characteristics (continued)

Unless otherwise specified, $V_{IN} = 12V$, $T_J = 25^\circ C$.



7 Detailed Description

7.1 Overview

The LM3488 uses a fixed frequency, Pulse Width Modulated (PWM), current mode control architecture. In a typical application circuit, the peak current through the external MOSFET is sensed through an external sense resistor. The voltage across this resistor is fed into the I_{SEN} pin. This voltage is then level shifted and fed into the positive input of the PWM comparator. The output voltage is also sensed through an external feedback resistor divider network and fed into the error amplifier negative input (feedback pin, FB). The output of the error amplifier (COMP pin) is added to the slope compensation ramp and fed into the negative input of the PWM comparator.

At the start of any switching cycle, the oscillator sets the RS latch using the SET/Blank-out and switch logic blocks. This forces a high signal on the DR pin (gate of the external MOSFET) and the external MOSFET turns on. When the voltage on the positive input of the PWM comparator exceeds the negative input, the RS latch is reset and the external MOSFET turns off.

The voltage sensed across the sense resistor generally contains spurious noise spikes, as shown in [Figure 20](#). These spikes can force the PWM comparator to reset the RS latch prematurely. To prevent these spikes from resetting the latch, a blank-out circuit inside the IC prevents the PWM comparator from resetting the latch for a short duration after the latch is set. This duration is about 150ns and is called the blank-out time.

Under extremely light load or no-load conditions, the energy delivered to the output capacitor when the external MOSFET is on during the blank-out time is more than what is delivered to the load. An over-voltage comparator inside the LM3488 prevents the output voltage from rising under these conditions. The over-voltage comparator senses the feedback (FB pin) voltage and resets the RS latch under these conditions. The latch remains in reset state till the output decays to the nominal value.

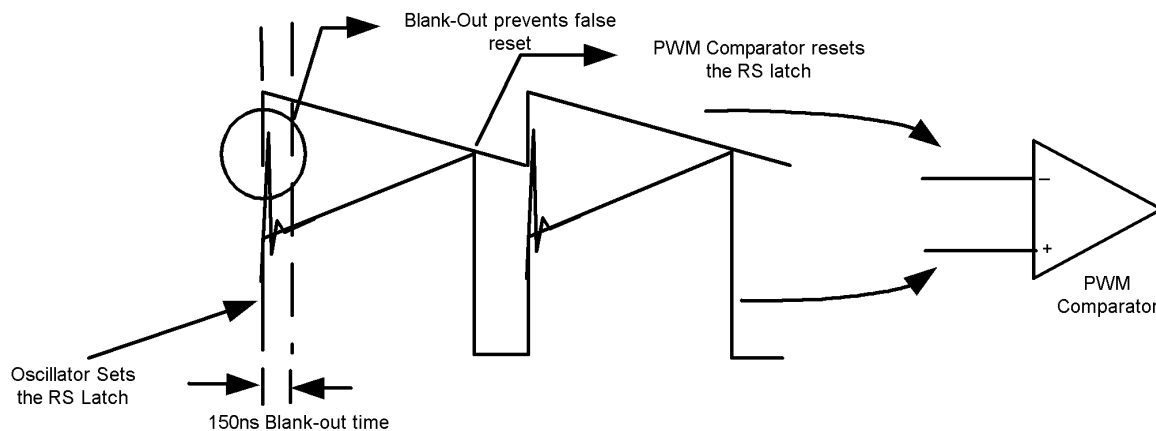
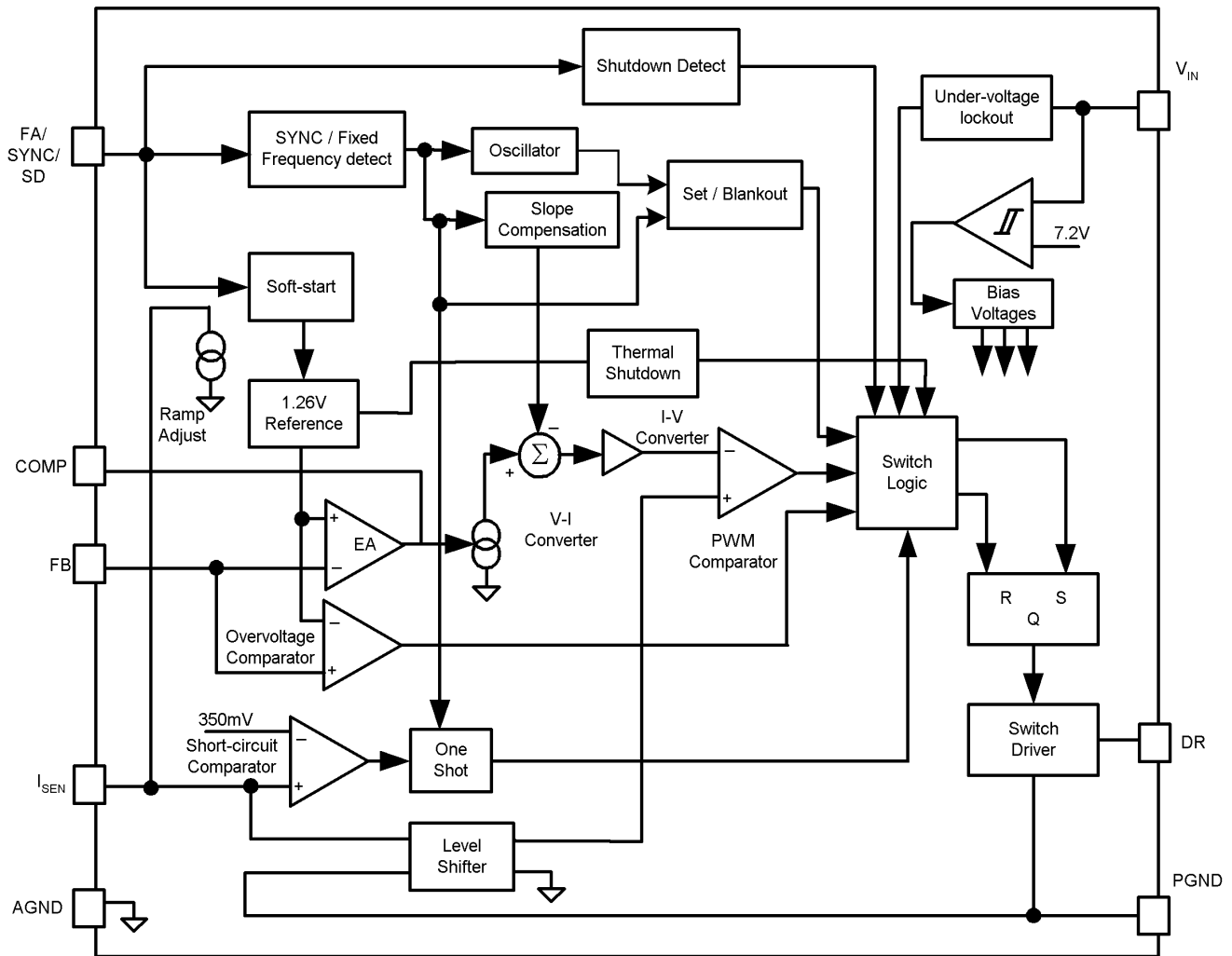


Figure 20. Basic Operation of the PWM Comparator

7.2 Functional Block Diagram



7.3 Feature Description

7.3.1 Slope Compensation Ramp

The LM3488 uses a current mode control scheme. The main advantages of current mode control are inherent cycle-by-cycle current limit for the switch, and simpler control loop characteristics. It is also easy to parallel power stages using current mode control since as current sharing is automatic.

Current mode control has an inherent instability for duty cycles greater than 50%, as shown in [Figure 21](#). In [Figure 21](#), a small increase in the load current causes the switch current to increase by ΔI_o . The effect of this load change, ΔI_1 , is :

$$\Delta I_1 = - \left(\frac{M_2}{M_1} \right) \Delta I_o = - \left(\frac{D}{1-D} \right) \Delta I_o \quad (1)$$

From the above equation, when $D > 0.5$, ΔI_1 will be greater than ΔI_o . In other words, the disturbance is divergent. So a very small perturbation in the load will cause the disturbance to increase.

To prevent the sub-harmonic oscillations, a compensation ramp is added to the control signal, as shown in [Figure 22](#).

Feature Description (continued)

With the compensation ramp,

$$\Delta I_1 = - \left(\frac{M_2 - M_C}{M_1 + M_C} \right) \Delta I_0 \tag{2}$$

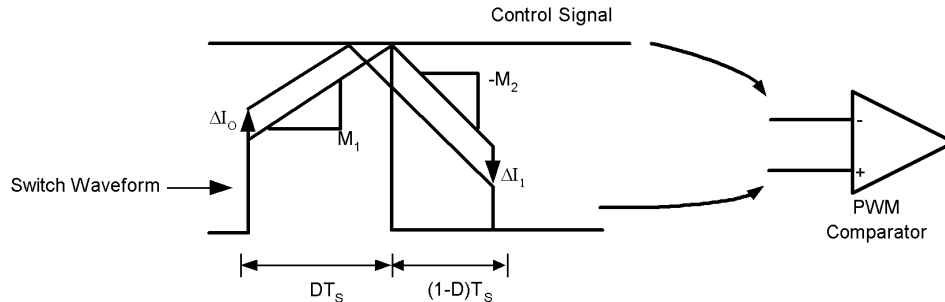


Figure 21. Sub-Harmonic Oscillation for D>0.5

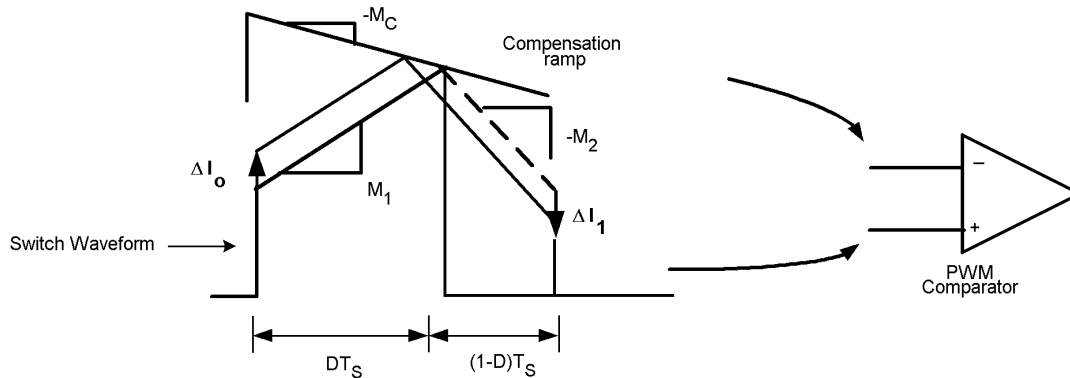


Figure 22. Compensation Ramp Avoids Sub-Harmonic Oscillation

The compensation ramp has been added internally in LM3488. The slope of this compensation ramp has been selected to satisfy most of the applications. The slope of the internal compensation ramp depends on the frequency. This slope can be calculated using the formula:

$$M_C = V_{SL} \cdot F_S \text{ Volts/second} \tag{3}$$

In the above equation, V_{SL} is the amplitude of the internal compensation ramp. Limits for V_{SL} have been specified in the electrical characteristics.

In order to provide the user additional flexibility, a patented scheme has been implemented inside the IC to increase the slope of the compensation ramp externally, if the need arises. Adding a single external resistor, R_{SL} (as shown in Figure 23) increases the slope of the compensation ramp, M_C by :

$$\Delta M_C = \frac{40 \times 10^{-6} \cdot R_{SL} \cdot F_S}{R_{SEN}} \frac{\text{Amps}}{\text{second}} \tag{4}$$

In this equation, ΔV_{SL} is equal to $40 \cdot 10^{-6} R_{SL}$. Hence,

$$\Delta M_C = \frac{\Delta V_{SL} \cdot F_S}{R_{SEN}} \frac{\text{Amps}}{\text{second}} \tag{5}$$

ΔV_{SL} versus R_{SL} has been plotted in Figure 24 for different frequencies.

Feature Description (continued)

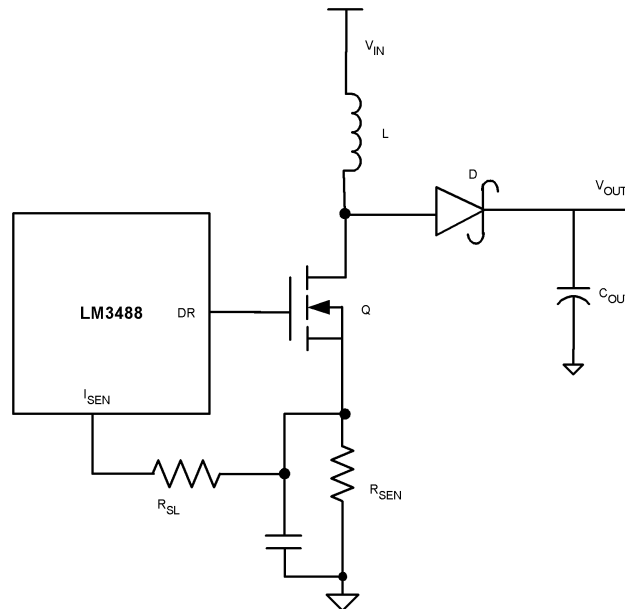


Figure 23. Increasing the Slope of the Compensation Ramp

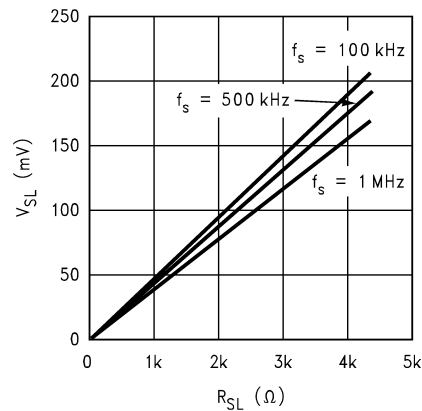


Figure 24. ΔV_{SL} vs R_{SL}

7.3.2 Frequency Adjust/Synchronization/Shutdown

The switching frequency of LM3488 can be adjusted between 100kHz and 1MHz using a single external resistor. This resistor must be connected between FA/SYNC/SD pin and ground, as shown in Figure 25. See *Typical Characteristics* to determine the value of the resistor required for a desired switching frequency.

The LM3488 can be synchronized to an external clock. The external clock must be connected to the FA/SYNC/SD pin through a resistor, R_{SYNC} as shown in Figure 26. The value of this resistor is dependent on the off time of the synchronization pulse, $T_{OFF(SYNC)}$. Table 1 shows the range of resistors to be used for a given $T_{OFF(SYNC)}$.

Table 1. Recommended Series Resistance for Synchronization

$T_{OFF(SYNC)}$ (μ s)	R_{SYNC} range (k Ω)
1	5 to 13
2	20 to 40

Table 1. Recommended Series Resistance for Synchronization (continued)

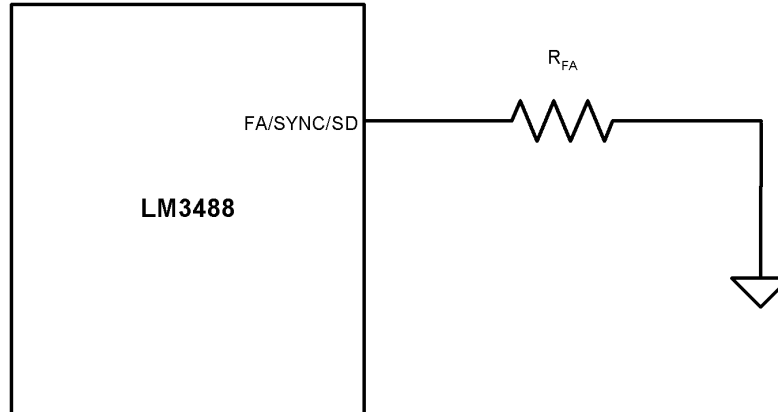
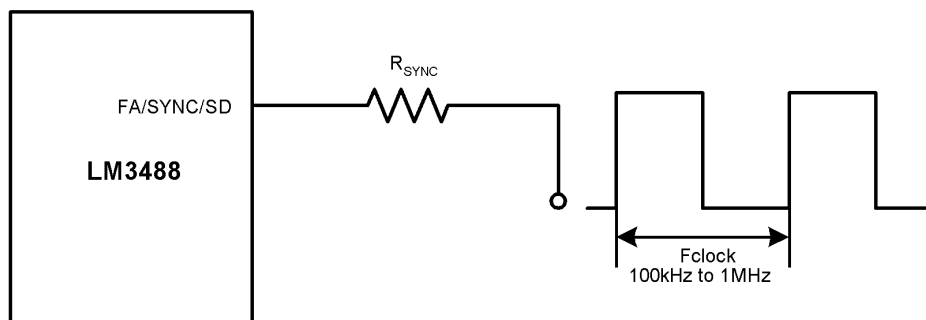
$T_{OFF(SYNC)}$ (μ s)	R_{SYNC} range ($k\Omega$)
3	40 to 65
4	55 to 90
5	70 to 110
6	85 to 140
7	100 to 160
8	120 to 190
9	135 to 215
10	150 to 240

It is also necessary to have the width of the synchronization pulse wider than the duty cycle of the converter (when DR pin is high and the switching point is low). It is also necessary to have the synchronization pulse width ≥ 300 nsecs.

The FA/SYNC/SD pin also functions as a shutdown pin. If a high signal (see [Electrical Characteristics](#) for definition of high signal) appears on the FA/SYNC/SD pin, the LM3488 stops switching and goes into a low current mode. The total supply current of the IC reduces to less than 10μ A under these conditions.

[Figure 27](#) and [Figure 28](#) show implementation of shutdown function when operating in Frequency adjust mode and synchronization mode respectively. In frequency adjust mode, connecting the FA/SYNC/SD pin to ground forces the clock to run at a certain frequency. Pulling this pin high shuts down the IC. In frequency adjust or synchronization mode, a high signal for more than 30μ s shuts down the IC.

[Figure 29](#) shows implementation of both frequency adjust with R_{FA} resistor and frequency synchronization with R_{SYNC} . The switching frequency is defined by R_{FA} when a synchronization signal is not applied. When sync is applied it overrides the R_{FA} setting.


Figure 25. Frequency Adjust

Figure 26. Frequency Synchronization

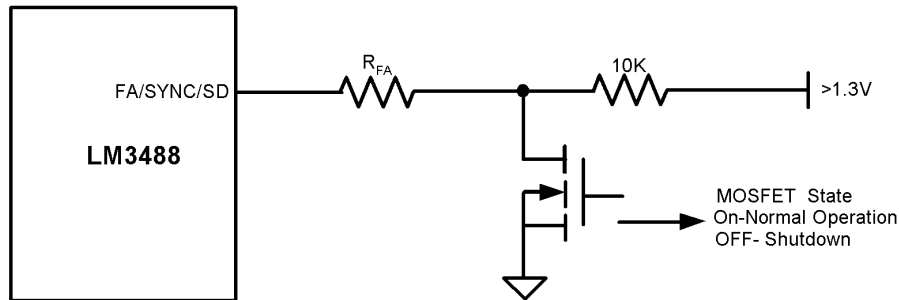


Figure 27. Shutdown Operation in Frequency Adjust Mode

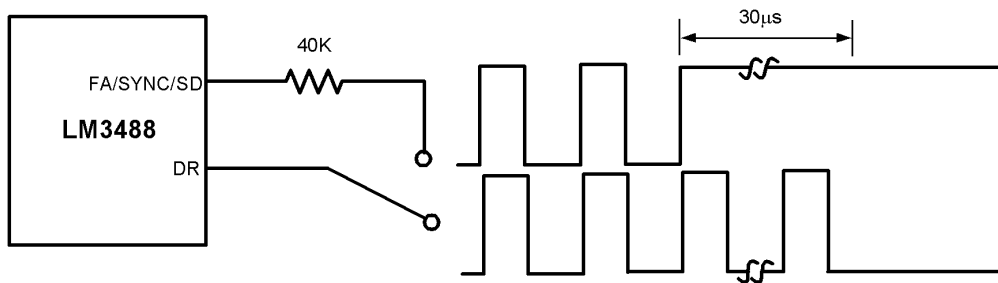


Figure 28. Shutdown Operation in Synchronization Mode

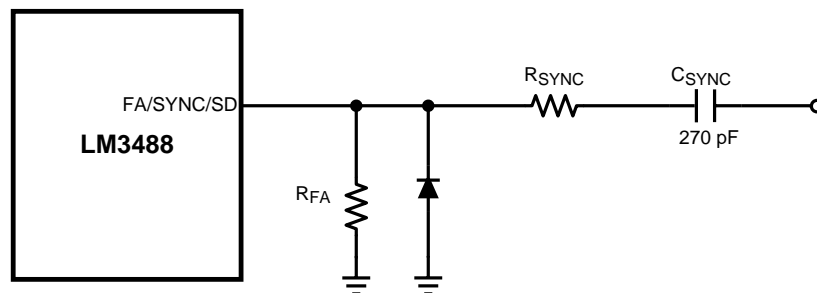


Figure 29. Frequency Adjust or Frequency Synchronization

7.3.3 Short-Circuit Protection

When the voltage across the sense resistor (measured on I_{SEN} Pin) exceeds 350mV, short-circuit current limit gets activated. A comparator inside LM3488 reduces the switching frequency by a factor of 5 and maintains this condition till the short is removed.

7.4 Device Functional Modes

The device is set to run as soon as the input voltage crosses above the UVLO set point and at a frequency set according to the FA/SYNC/SD pin pull-down resistor or to run at a frequency set by the waveform applied to the FA/SYNC/SD pin.

If the FA/SYNC/SD pin is pulled high, the LM3488 enters shut-down mode.

If the voltage at the I_{SEN} pin exceeds V_{sc} , the device enters short-circuit protection mode.

8 Application and Implementation

NOTE

Information in the following applications sections is not part of the TI component specification, and TI does not warrant its accuracy or completeness. TI's customers are responsible for determining suitability of components for their purposes. Customers should validate and test their design implementation to confirm system functionality.

8.1 Application Information

The LM3488 may be operated in either continuous or discontinuous conduction mode. The following applications are designed for continuous conduction operation. This mode of operation has higher efficiency and lower EMI characteristics than the discontinuous mode.

8.2 Typical Applications

8.2.1 Boost Converter

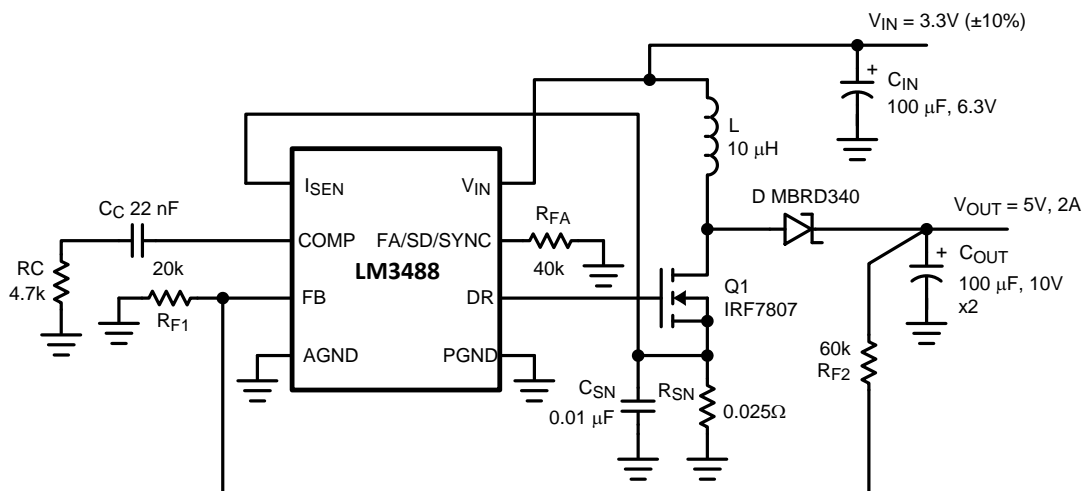


Figure 30. Typical High Efficiency Step-Up (Boost) Converter

The most common topology for LM3488 is the boost or step-up topology. The boost converter converts a low input voltage into a higher output voltage. The basic configuration for a boost regulator is shown in [Figure 31](#). In continuous conduction mode (when the inductor current never reaches zero at steady state), the boost regulator operates in two cycles. In the first cycle of operation, MOSFET Q is turned on and energy is stored in the inductor. During this cycle, diode D is reverse biased and load current is supplied by the output capacitor, C_{OUT} .

Typical Applications (continued)

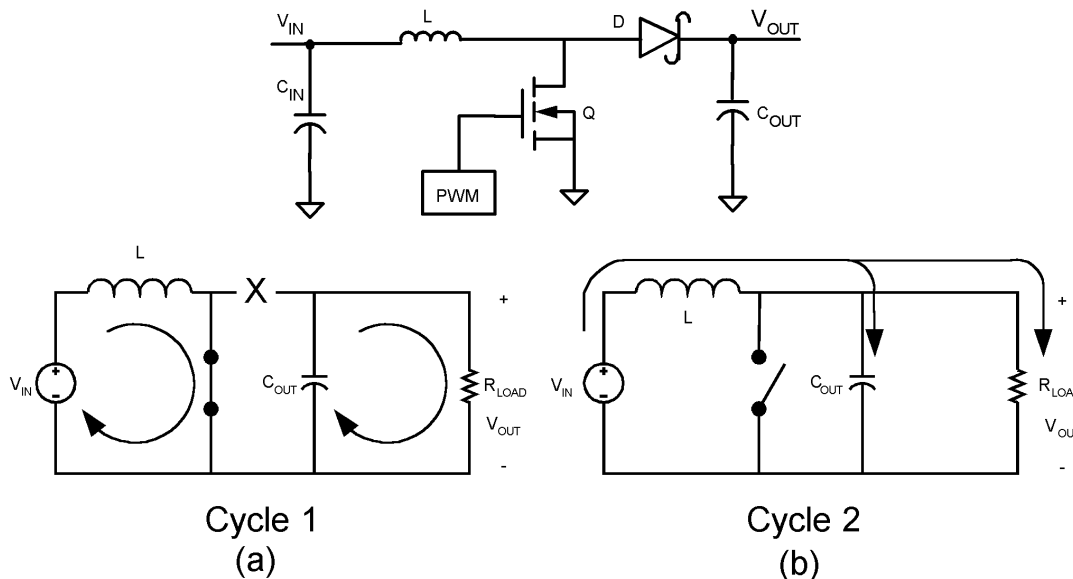


Figure 31. Simplified Boost Converter Diagram
 (a) First cycle of operation
 (b) Second cycle of operation

In the second cycle, MOSFET Q is off and the diode is forward biased. The energy stored in the inductor is transferred to the load and output capacitor. The ratio of these two cycles determines the output voltage. The output voltage is defined as:

$$V_{OUT} = \frac{V_{IN}}{1-D} \tag{6}$$

(ignoring the drop across the MOSFET and the diode), or

$$V_{OUT} + V_D = \frac{V_{IN} - V_Q}{1-D}$$

where

- D is the duty cycle of the switch
 - V_D is the forward voltage drop of the diode
 - V_Q is the drop across the MOSFET when it is on
- (7)

8.2.1.1 Design Requirements

To calculate component values for a Boost converter, the power supply parameters shown in Table 2 should be known. The design shown in Figure 30 is the result of starting with example values shown in Table 2.

Table 2. Boost Design Parameters

DESIGN PARAMETER	EXAMPLE VALUE
Input voltage range	3V to 3.6V
Output voltage	5V
Maximum current	2A
Operating frequency	350kHz

8.2.1.2 Detailed Design Procedure

8.2.1.2.1 Custom Design with WEBENCH Tools

[Click here](#) to create a custom design using the LM3488 device with the WEBENCH® Power Designer.

1. Start by entering your V_{IN} , V_{OUT} and I_{OUT} requirements.
2. Optimize your design for key parameters like efficiency, footprint and cost using the optimizer dial and compare this design with other possible solutions from Texas Instruments.
3. WEBENCH Power Designer provides you with a customized schematic along with a list of materials with real time pricing and component availability.
4. In most cases, you will also be able to:
 - Run electrical simulations to see important waveforms and circuit performance,
 - Run thermal simulations to understand the thermal performance of your board,
 - Export your customized schematic and layout into popular CAD formats,
 - Print PDF reports for the design, and share your design with colleagues.
5. Get more information about WEBENCH tools at www.ti.com/webench.

8.2.1.2.2 Power Inductor Selection

The inductor is one of the two energy storage elements in a boost converter. [Figure 32](#) shows how the inductor current varies during a switching cycle. The current through an inductor is quantified as:

$$V_L(t) = L \frac{di_L(t)}{dt} \tag{8}$$

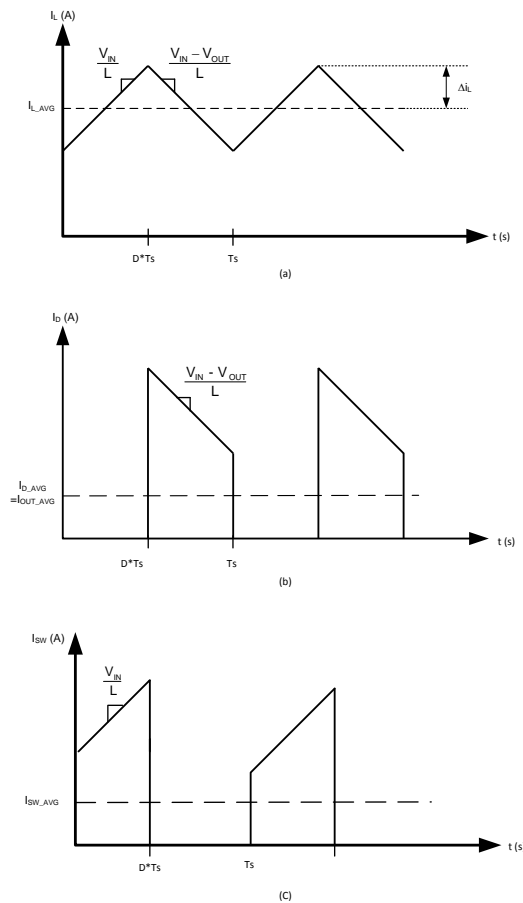


Figure 32. A. Inductor Current B. Diode Current C. Switch Current

If $V_L(t)$ is constant, $di_L(t)/dt$ must be constant. Hence, for a given input voltage and output voltage, the current in the inductor changes at a constant rate.

The important quantities in determining a proper inductance value are \bar{I}_L (the average inductor current) and Δi_L (the inductor current ripple). If Δi_L is larger than \bar{I}_L , the inductor current will drop to zero for a portion of the cycle and the converter will operate in discontinuous conduction mode. If Δi_L is smaller than \bar{I}_L , the inductor current will stay above zero and the converter will operate in continuous conduction mode. All the analysis in this datasheet assumes operation in continuous conduction mode. To operate in continuous conduction mode, the following conditions must be met:

$$I_L > \Delta i_L \quad (9)$$

$$\frac{I_{OUT}}{1-D} > \frac{DV_{IN}}{2f_s L} \quad (10)$$

$$L > \frac{D(1-D)V_{IN}}{2I_{OUT}f_s} \quad (11)$$

Choose the minimum I_{OUT} to determine the minimum L . A common choice is to set Δi_L to 30% of \bar{I}_L . Choosing an appropriate core size for the inductor involves calculating the average and peak currents expected through the inductor. In a boost converter,

$$\bar{I}_L = \frac{I_{OUT}}{1-D} \quad (12)$$

$$\text{and } I_{L_peak} = \bar{I}_L(\text{max}) + \Delta i_L(\text{max}),$$

where

$$\Delta i_L = \frac{DV_{IN}}{2f_s L} \quad (13)$$

A core size with ratings higher than these values should be chosen. If the core is not properly rated, saturation will dramatically reduce overall efficiency.

The LM3488 can be set to switch at very high frequencies. When the switching frequency is high, the converter can be operated with very small inductor values. With a small inductor value, the peak inductor current can be extremely higher than the output currents, especially under light load conditions.

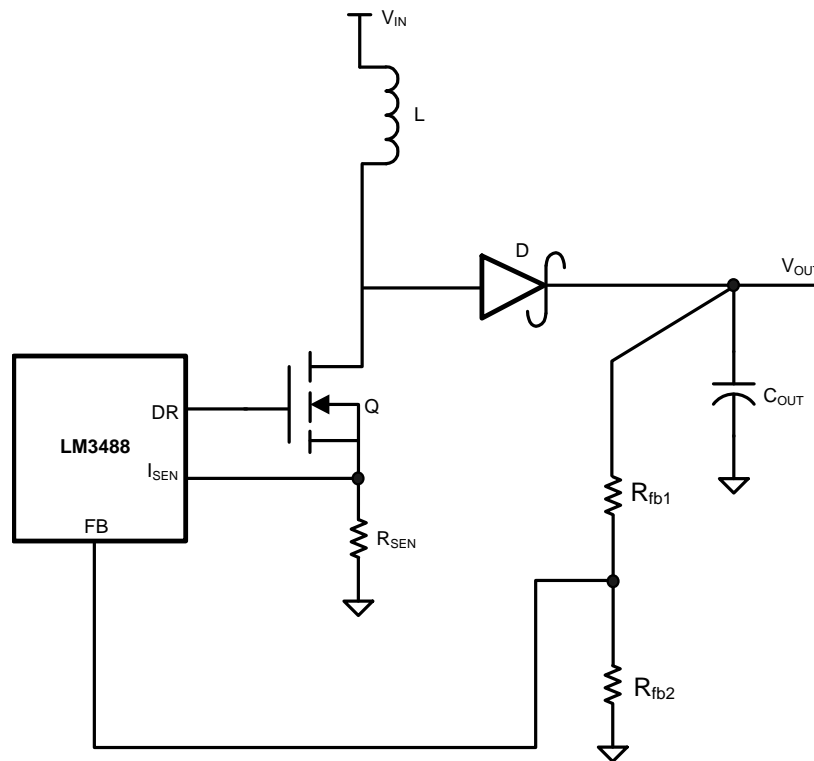
The LM3488 senses the peak current through the switch. The peak current through the switch is the same as the peak current calculated above.

8.2.1.2.3 Programming the Output Voltage

The output voltage can be programmed using a resistor divider between the output and the feedback pins, as shown in [Figure 33](#). The resistors are selected such that the voltage at the feedback pin is 1.26V. R_{F1} and R_{F2} can be selected using the equation,

$$V_{OUT} = 1.26 \left(1 + \frac{R_{F1}}{R_{F2}} \right) \quad (14)$$

A 100-pF capacitor may be connected between the feedback and ground pins to reduce noise.


Figure 33. Adjusting the Output Voltage

8.2.1.2.4 Setting the Current Limit

The maximum amount of current that can be delivered to the load is set by the sense resistor, R_{SEN} . Current limit occurs when the voltage that is generated across the sense resistor equals the current sense threshold voltage, V_{SENSE} . When this threshold is reached, the switch will be turned off until the next cycle. Limits for V_{SENSE} are specified in [Electrical Characteristics](#). V_{SENSE} represents the maximum value of the internal control signal V_{CS} . This control signal, however, is not a constant value and changes over the course of a period as a result of the internal compensation ramp (see [Figure 20](#)). Therefore the current limit threshold will also change. The actual current limit threshold is a function of the sense voltage (V_{SENSE}) and the internal compensation ramp:

$$R_{SEN} \times ISW_{LIMIT} = V_{CS_{MAX}} = V_{SENSE} - (D \times V_{SL})$$

where

- ISW_{LIMIT} is the peak switch current limit, defined by the equation below. As duty cycle increases, the control voltage is reduced as V_{SL} ramps up. Since current limit threshold varies with duty cycle, the following equation should be used to select R_{SEN} and set the desired current limit threshold: (15)

$$R_{SEN} = \frac{V_{SENSE} - (D \times V_{SL})}{ISW_{LIMIT}} \quad (16)$$

The numerator of the above equation is V_{CS} , and ISW_{LIMIT} is calculated as:

$$ISW_{LIMIT} = \left[\frac{I_{OUT}}{(1-D)} + \frac{(D \times V_{IN})}{(2 \times f_s \times L)} \right] \quad (17)$$

To avoid false triggering, the current limit value should have some margin above the maximum operating value, typically 120%. Values for both V_{SENSE} and V_{SL} are specified in [Electrical Characteristics](#). However, calculating with the limits of these two specs could result in an unrealistically wide current limit or R_{SEN} range. Therefore, the following equation is recommended, using the V_{SL} ratio value given in [Electrical Characteristics](#):

$$R_{SEN} = \frac{V_{SENSE} - (D \times V_{SENSE} \times V_{SLratio})}{ISW_{LIMIT}} \quad (18)$$

R_{SEN} is part of the current mode control loop and has some influence on control loop stability. Therefore, once the current limit threshold is set, loop stability must be verified. To verify stability, use the following equation:

$$R_{SEN} < \frac{2 \times V_{SL} \times f_S \times L}{V_O - (2 \times V_{IN})} \quad (19)$$

If the selected R_{SEN} is greater than this value, additional slope compensation must be added to ensure stability, as described in [Current Limit with External Slope Compensation](#).

8.2.1.2.5 Current Limit with External Slope Compensation

R_{SL} is used to add additional slope compensation when required. It is not necessary in most designs and R_{SL} should be no larger than necessary. Select R_{SL} according to the following equation:

$$R_{SL} > \frac{\frac{R_{SEN} \times (V_O - 2V_{IN})}{2 \times f_S \times L} - V_{SL}}{40 \mu A}$$

where

- R_{SEN} is the selected value based on current limit. With R_{SL} installed, the control signal includes additional external slope to stabilize the loop, which will also have an effect on the current limit threshold. Therefore, the current limit threshold must be re-verified, as illustrated in the equations below : (20)

$$V_{CS} = V_{SENSE} - (D \times (V_{SL} + \Delta V_{SL}))$$

where

- ΔV_{SL} is the additional slope compensation generated and calculated as: (21)

$$\Delta V_{SL} = 40 \mu A \times R_{SL} \quad (22)$$

This changes the equation for current limit (or R_{SEN}) to:

$$ISW_{LIMIT} = \frac{V_{SENSE} - (D \times (V_{SL} + \Delta V_{SL}))}{R_{SEN}} \quad (23)$$

The R_{SEN} and R_{SL} values may have to be calculated iteratively in order to achieve both the desired current limit and stable operation. In some designs R_{SL} can also help to filter noise on the ISEN pin.

If the inductor is selected such that ripple current is the recommended 30% value, and the current limit threshold is 120% of the maximum peak, a simpler method can be used to determine R_{SEN} . The equation below will provide optimum stability without RSL, provided that the above 2 conditions are met:

$$R_{SEN} = \frac{V_{SENSE}}{ISW_{LIMIT} + \left(\frac{V_O - V_i}{L \times f_s} \right) \times D} \quad (24)$$

8.2.1.2.6 Power Diode Selection

Observation of the boost converter circuit shows that the average current through the diode is the average load current, and the peak current through the diode is the peak current through the inductor. The diode should be rated to handle more than its peak current. The peak diode current can be calculated using the formula:

$$I_{D(Peak)} = I_{OUT} / (1-D) + \Delta I_L \quad (25)$$

In the above equation, I_{OUT} is the output current and ΔI_L has been defined in [Figure 32](#).

The peak reverse voltage for boost converter is equal to the regulator output voltage. The diode must be capable of handling this voltage. To improve efficiency, a low forward drop schottky diode is recommended.

8.2.1.2.7 Power MOSFET Selection

The drive pin of LM3488 must be connected to the gate of an external MOSFET. In a boost topology, the drain of the external N-Channel MOSFET is connected to the inductor and the source is connected to the ground. The drive pin (DR) voltage depends on the input voltage (see the [Typical Characteristics](#) section). In most applications, a logic level MOSFET can be used. For very low input voltages, a sub-logic level MOSFET should be used.

The selected MOSFET directly controls the efficiency. The critical parameters for selection of a MOSFET are:

1. Minimum threshold voltage, $V_{TH(MIN)}$
2. On-resistance, $R_{DS(ON)}$
3. Total gate charge, Q_g
4. Reverse transfer capacitance, C_{RSS}
5. Maximum drain to source voltage, $V_{DS(MAX)}$

The off-state voltage of the MOSFET is approximately equal to the output voltage. $V_{DS(MAX)}$ of the MOSFET must be greater than the output voltage. The power losses in the MOSFET can be categorized into conduction losses and ac switching or transition losses. $R_{DS(ON)}$ is needed to estimate the conduction losses. The conduction loss, P_{COND} , is the I^2R loss across the MOSFET. The maximum conduction loss is given by:

$$P_{COND(MAX)} = \left[\left(\frac{I_{OUT}}{1-D_{MAX}} \right)^2 + \left(\frac{\Delta I}{3} \right)^2 \right] D_{MAX} R_{DS(ON)}$$

where

- D_{MAX} is the maximum duty cycle.

$$D_{MAX} = \left(1 - \frac{V_{IN(MIN)}}{V_{OUT}} \right) \quad (27)$$

The turn-on and turn-off transitions of a MOSFET require times of tens of nano-seconds. C_{RSS} and Q_g are needed to estimate the large instantaneous power loss that occurs during these transitions.

The amount of gate current required to turn the MOSFET on can be calculated using the formula:

$$I_G = Q_g \cdot F_s \quad (28)$$

The required gate drive power to turn the MOSFET on is equal to the switching frequency times the energy required to deliver the charge to bring the gate charge voltage to V_{DR} (see the [Electrical Characteristics](#) table and the [Typical Characteristics](#) section for the drive voltage specification).

$$P_{Drive} = F_s \cdot Q_g \cdot V_{DR} \quad (29)$$

8.2.1.2.8 Input Capacitor Selection

Due to the presence of an inductor at the input of a boost converter, the input current waveform is continuous and triangular, as shown in [Figure 32](#). The inductor ensures that the input capacitor sees fairly low ripple currents. However, as the input capacitor gets smaller, the input ripple goes up. The rms current in the input capacitor is given by:

$$I_{CIN(RMS)} = \Delta i_L / \sqrt{3} = \frac{1}{2\sqrt{3}} \left(\frac{V_{OUT} - V_{IN}}{V_{OUT} L f_s} \right) \quad (30)$$

The input capacitor should be capable of handling the rms current. Although the input capacitor is not as critical in a boost application, low values can cause impedance interactions. Therefore a good quality capacitor should be chosen in the range of 10 μ F to 20 μ F. If a value lower than 10 μ F is used, then problems with impedance interactions or switching noise can affect the LM3488. To improve performance, especially with V_{IN} below 8 volts, it is recommended to use a 20 Ω resistor at the input to provide a RC filter. The resistor is placed in series with the V_{IN} pin with only a bypass capacitor attached to the V_{IN} pin directly (see [Figure 34](#)). A 0.1- μ F or 1- μ F ceramic capacitor is necessary in this configuration. The bulk input capacitor and inductor will connect on the other side of the resistor with the input power supply.

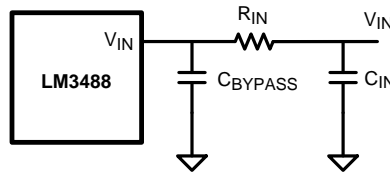


Figure 34. Reducing IC Input Noise

8.2.1.2.9 Output Capacitor Selection

The output capacitor in a boost converter provides all the output current when the inductor is charging. As a result it sees very large ripple currents. The output capacitor should be capable of handling the maximum rms current. The rms current in the output capacitor is:

$$I_{COUT(RMS)} = \sqrt{(1-D) \left[I_{OUT}^2 \frac{D}{(1-D)^2} + \frac{\Delta i_L^2}{3} \right]} \quad (31)$$

Where

$$\Delta i_L = \frac{D V_{IN}}{2 L f_s} \quad (32)$$

and D, the duty cycle is equal to $(V_{OUT} - V_{IN})/V_{OUT}$.

The ESR and ESL of the output capacitor directly control the output ripple. Use capacitors with low ESR and ESL at the output for high efficiency and low ripple voltage. Surface Mount tantalums, surface mount polymer electrolytic and polymer tantalum, Sanyo- OSCON, or multi-layer ceramic capacitors are recommended at the output.

8.2.1.3 Application Curve

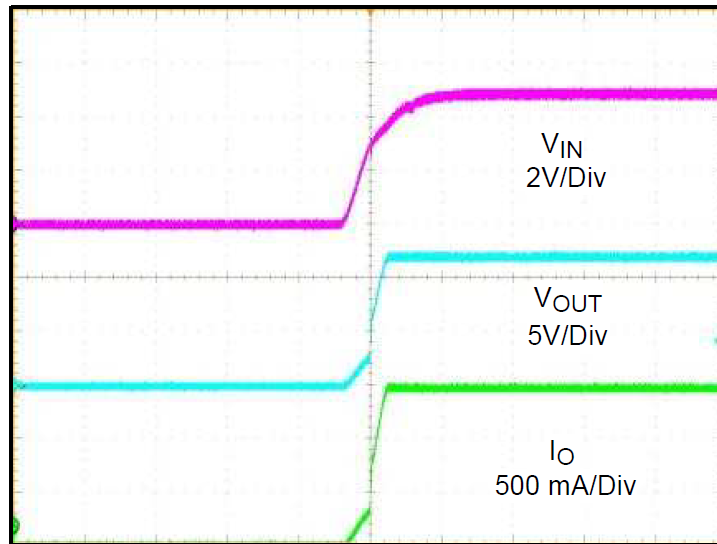


Figure 35. Typical Startup Waveform (horizontal scale: 10ms/DIV)

8.2.2 Designing SEPIC Using LM3488

Since the LM3488 controls a low-side N-Channel MOSFET, it can also be used in SEPIC (Single Ended Primary Inductance Converter) applications. An example of SEPIC using LM3488 is shown in [Figure 36](#). As shown in [Figure 36](#), the output voltage can be higher or lower than the input voltage. The SEPIC uses two inductors to step-up or step-down the input voltage. The inductors L1 and L2 can be two discrete inductors or two windings of a coupled transformer since equal voltages are applied across the inductor throughout the switching cycle. Using two discrete inductors allows use of catalog magnetics, as opposed to a custom transformer. The input ripple can be reduced along with size by using the coupled windings of transformer for L1 and L2.

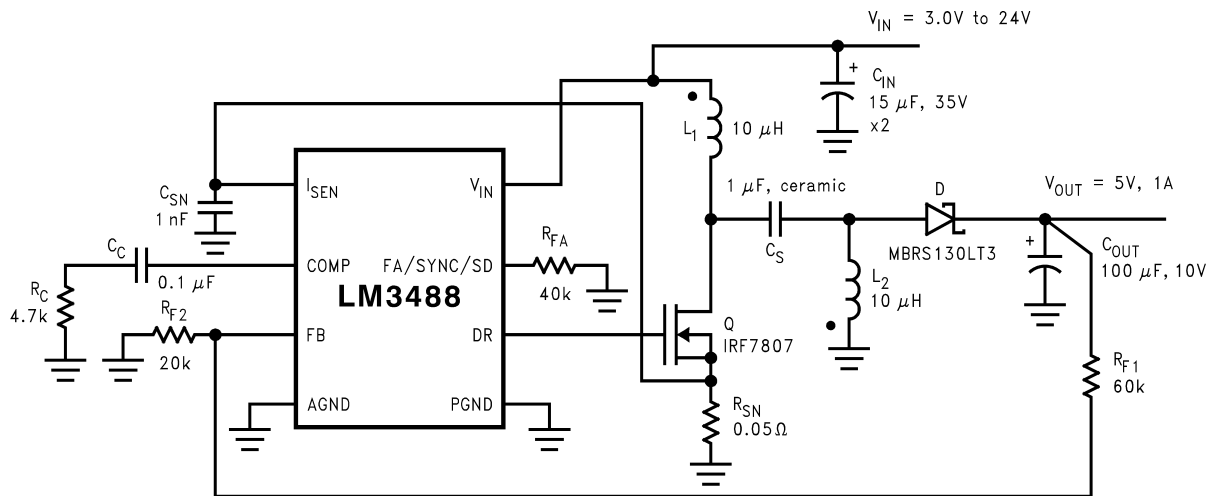


Figure 36. Typical SEPIC Converter

Due to the presence of the inductor L1 at the input, the SEPIC inherits all the benefits of a boost converter. One main advantage of SEPIC over boost converter is the inherent input to output isolation. The capacitor C_S isolates the input from the output and provides protection against shorted or malfunctioning load. Hence, the A SEPIC is useful for replacing boost circuits when true shutdown is required. This means that the output voltage falls to 0V when the switch is turned off. In a boost converter, the output can only fall to the input voltage minus a diode drop.

The duty cycle of a SEPIC is given by:

$$D = \frac{V_{OUT} + V_{DIODE}}{V_{OUT} + V_{IN} - V_Q + V_{DIODE}} \quad (33)$$

In the above equation, V_Q is the on-state voltage of the MOSFET, Q , and V_{DIODE} is the forward voltage drop of the diode.

8.2.2.1 Design Requirements

To calculate component values for a SEPIC converter, the power supply parameters shown in [Table 3](#) should be known. The design shown in [Figure 36](#) is the result of starting with example values shown in [Table 3](#)

Table 3. SEPIC Design Parameters

DESIGN PARAMETER	EXAMPLE VALUE
Input voltage range	3 V to 24 V
Output voltage	5 V
Maximum current	1 A
Operating frequency	350 kHz
Max peak to peak output ripple	200 mV

8.2.2.2 Detailed Design Procedure

8.2.2.2.1 Power MOSFET Selection

As in boost converter, the parameters governing the selection of the MOSFET are the minimum threshold voltage, $V_{TH(MIN)}$, the on-resistance, $R_{DS(ON)}$, the total gate charge, Q_g , the reverse transfer capacitance, C_{RSS} , and the maximum drain to source voltage, $V_{DS(MAX)}$. The peak switch voltage in a SEPIC is given by:

$$V_{SW(PEAK)} = V_{IN} + V_{OUT} + V_{DIODE} \quad (34)$$

The selected MOSFET should satisfy the condition:

$$V_{DS(MAX)} > V_{SW(PEAK)} \quad (35)$$

The peak switch current is given by:

$$I_{SW(PEAK)} = I_{L1(AVG)} + I_{OUT} + \frac{\Delta I_{L1} + \Delta I_{L2}}{2} \quad (36)$$

The rms current through the switch is given by:

$$I_{SWRMS} = \sqrt{\left[I_{SWPEAK}^2 - I_{SWPEAK} (\Delta I_{L1} + \Delta I_{L2}) + \frac{(\Delta I_{L1} + \Delta I_{L2})^2}{3} \right] D} \quad (37)$$

8.2.2.2.2 Power Diode Selection

The Power diode must be selected to handle the peak current and the peak reverse voltage. In a SEPIC, the diode peak current is the same as the switch peak current. The off-state voltage or peak reverse voltage of the diode is $V_{IN} + V_{OUT}$. Similar to the boost converter, the average diode current is equal to the output current. Schottky diodes are recommended.

8.2.2.2.3 Selection Of Inductors L1 and L2

Proper selection of the inductors L1 and L2 to maintain constant current mode requires calculations of the following parameters.

Average current in the inductors:

$$I_{L1AVE} = \frac{D I_{OUT}}{1-D} \quad (38)$$

$$I_{L2AVE} = I_{OUT} \quad (39)$$

Peak to peak ripple current, to calculate core loss if necessary:

$$\Delta I_{L1} = \frac{(V_{IN} - V_Q) D}{(L1)f_s} \quad (40)$$

$$\Delta I_{L2} = \frac{(V_{IN} - V_Q) D}{(L2)f_s} \quad (41)$$

maintains the condition $I_L > \Delta i_L/2$ to ensure constant current mode.

$$L1 > \frac{(V_{IN} - V_Q)(1-D)}{2I_{OUT}f_s} \quad (42)$$

$$L2 > \frac{(V_{IN} - V_Q)D}{2I_{OUT}f_s} \quad (43)$$

Peak current in the inductor, to ensure the inductor does not saturate:

$$I_{L1PK} = \frac{DI_{OUT}}{1-D} + \frac{\Delta I_{L1}}{2} \quad (44)$$

$$I_{L2PK} = I_{OUT} + \frac{\Delta I_{L2}}{2} \quad (45)$$

I_{L1PK} must be lower than the maximum current rating set by the current sense resistor.

The value of L1 can be increased above the minimum recommended to reduce input ripple and output ripple. However, once D_{IL1} is less than 20% of I_{L1AVE} , the benefit to output ripple is minimal.

By increasing the value of L2 above the minimum recommended, ΔI_{L2} can be reduced, which in turn will reduce the output ripple voltage:

$$\Delta V_{OUT} = \left(\frac{I_{OUT}}{1-D} + \frac{\Delta I_{L2}}{2} \right) ESR$$

where

- ESR is the effective series resistance of the output capacitor. (46)

If L1 and L2 are wound on the same core, then $L1 = L2 = L$. All the equations above will hold true if the inductance is replaced by 2L. A good choice for transformer with equal turns is Coiltronics CTX series Octopack.

8.2.2.2.4 Sense Resistor Selection

The peak current through the switch, $I_{SW(PEAK)}$ can be adjusted using the current sense resistor, R_{SEN} , to provide a certain output current. Resistor R_{SEN} can be selected using the formula:

$$R_{SEN} = \frac{V_{SENSE} - D(V_{SL} + \Delta V_{SL})}{I_{SWPEAK}} \quad (47)$$

8.2.2.2.5 SEPIC Capacitor Selection

The selection of SEPIC capacitor, CS, depends on the rms current. The rms current of the SEPIC capacitor is given by:

$$I_{CSRMS} = \sqrt{I_{SWRMS}^2 + (I_{L1PK}^2 - I_{L1PK}\Delta I_{L1} + \Delta I_{L1}^2)(1-D)} \quad (48)$$

The SEPIC capacitor must be rated for a large ACrms current relative to the output power. This property makes the SEPIC much better suited to lower power applications where the rms current through the capacitor is relatively small (relative to capacitor technology). The voltage rating of the SEPIC capacitor must be greater than the maximum input voltage. Tantalum capacitors are the best choice for SMT, having high rms current ratings relative to size. Ceramic capacitors could be used, but the low C values will tend to cause larger changes in voltage across the capacitor due to the large currents. High C value ceramics are expensive. Electrolytics work well for through hole applications where the size required to meet the rms current rating can be accommodated. There is an energy balance between CS and L1, which can be used to determine the value of the capacitor. The basic energy balance equation is:

$$\frac{1}{2} C_S \Delta V_S^2 = \frac{1}{2} L_1 \Delta I_{L1}^2 \quad (49)$$

Where

$$\Delta V_S = \left(\frac{V_{OUT}}{V_{OUT} + V_{IN} - V_Q + V_{DIODE}} \right) \frac{I_{OUT}}{f_s C_S} \quad (50)$$

is the ripple voltage across the SEPIC capacitor, and

$$\Delta I_{L1} = \frac{(V_{IN} - V_Q) D}{L_1 f_s} \quad (51)$$

is the ripple current through the inductor L1. The energy balance equation can be solved to provide a minimum value for CS:

$$C_S \geq L_1 \frac{I_{OUT}^2}{(V_{IN} - V_Q)^2} \quad (52)$$

8.2.2.2.6 Input Capacitor Selection

Similar to a boost converter, the SEPIC has an inductor at the input. Hence, the input current waveform is continuous and triangular. The inductor ensures that the input capacitor sees fairly low ripple currents. However, as the input capacitor gets smaller, the input ripple goes up. The rms current in the input capacitor is given by:

$$I_{CIN(RMS)} = \Delta I_{L1} / \sqrt{2} = \frac{D}{2\sqrt{3}} \left(\frac{V_{IN} - V_Q}{L_1 f_s} \right) \quad (53)$$

The input capacitor should be capable of handling the rms current. Although the input capacitor is not as critical in a boost application, low values can cause impedance interactions. Therefore a good quality capacitor should be chosen in the range of 10µF to 20µF. If a value lower than 10µF is used, then problems with impedance interactions or switching noise can affect the LM3488. To improve performance, especially with VIN below 8 volts, it is recommended to use a 20Ω resistor at the input to provide a RC filter. The resistor is placed in series with the VIN pin with only a bypass capacitor attached to the VIN pin directly (see [Figure 34](#)). A 0.1µF or 1µF ceramic capacitor is necessary in this configuration. The bulk input capacitor and inductor will connect on the other side of the resistor with the input power supply.

8.2.2.2.7 Output Capacitor Selection

The ESR and ESL of the output capacitor directly control the output ripple. Use low capacitors with low ESR and ESL at the output for high efficiency and low ripple voltage. Surface mount tantalums, surface mount polymer electrolytic and polymer tantalum, Sanyo- OSCON, or multi-layer ceramic capacitors are recommended at the output.

The output capacitor of the SEPIC sees very large ripple currents (similar to the output capacitor of a boost converter). The rms current through the output capacitor is given by:

$$I_{RMS} = \sqrt{\frac{[I_{SWPK}^2 - I_{SWPK} (\Delta I_{L1} + \Delta I_{L2}) + \frac{(\Delta I_{L1} + \Delta I_{L2})^2}{3}] (1-D) - I_{OUT}^2}{3}} \quad (54)$$

The ESR and ESL of the output capacitor directly control the output ripple. Use low capacitors with low ESR and ESL at the output for high efficiency and low ripple voltage. Surface mount tantalums, surface mount polymer electrolytic and polymer tantalum, Sanyo- OSCON, or multi-layer ceramic capacitors are recommended at the output for low ripple.

9 Power Supply Recommendations

The LM3488 is designed to operate from various DC power supply including a car battery. If so, VIN input should be protected from reversal voltage and voltage dump over 48 Volts. The impedance of the input supply rail should be low enough that the input current transient does not cause drop below VIN UVLO level. If the input supply is connected by using long wires, additional bulk capacitance may be required in addition to normal input capacitor.

10 Layout

10.1 Layout Guidelines

Good board layout is critical for switching controllers such as the LM3488. First the ground plane area must be sufficient for thermal dissipation purposes and second, appropriate guidelines must be followed to reduce the effects of switching noise. Switch mode converters are very fast switching devices. In such devices, the rapid increase of input current combined with the parasitic trace inductance generates unwanted Ldi/dt noise spikes. The magnitude of this noise tends to increase as the output current increases. This parasitic spike noise may turn into electromagnetic interference (EMI), and can also cause problems in device performance. Therefore, care must be taken in layout to minimize the effect of this switching noise. The current sensing circuit in current mode devices can be easily effected by switching noise. This noise can cause duty cycle jitter which leads to increased spectral noise. The most important layout rule is to keep the AC current loops as small as possible. [Figure 37](#) shows the current flow of a boost converter. The top schematic shows a dotted line which represents the current flow during onstate and the middle schematic shows the current flow during off-state. The bottom schematic shows the currents we refer to as AC currents. They are the most critical ones since current is changing in very short time periods. The dotted lined traces of the bottom schematic are the once to make as short as possible.

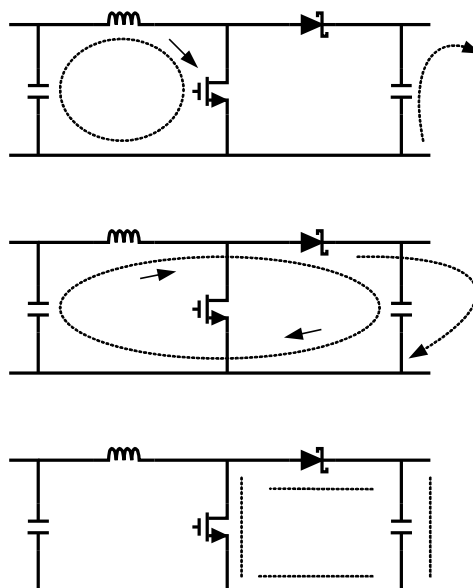


Figure 37. Current Flow in a Boost Application

Layout Guidelines (continued)

The PGND and AGND pins have to be connected to the same ground very close to the IC. To avoid ground loop currents attach all the grounds of the system only at one point. A ceramic input capacitor should be connected as close as possible to the Vin pin and grounded close to the GND pin. For a layout example please see AN-1204 LM378/LM3488 Evaluation Board (SNVA656A). For more information about layout in switch mode power supplies please refer to AN-1229 SIMPLE SWITCHER® PCB Layout Guidelines (SNVA054c).

10.2 Layout Example

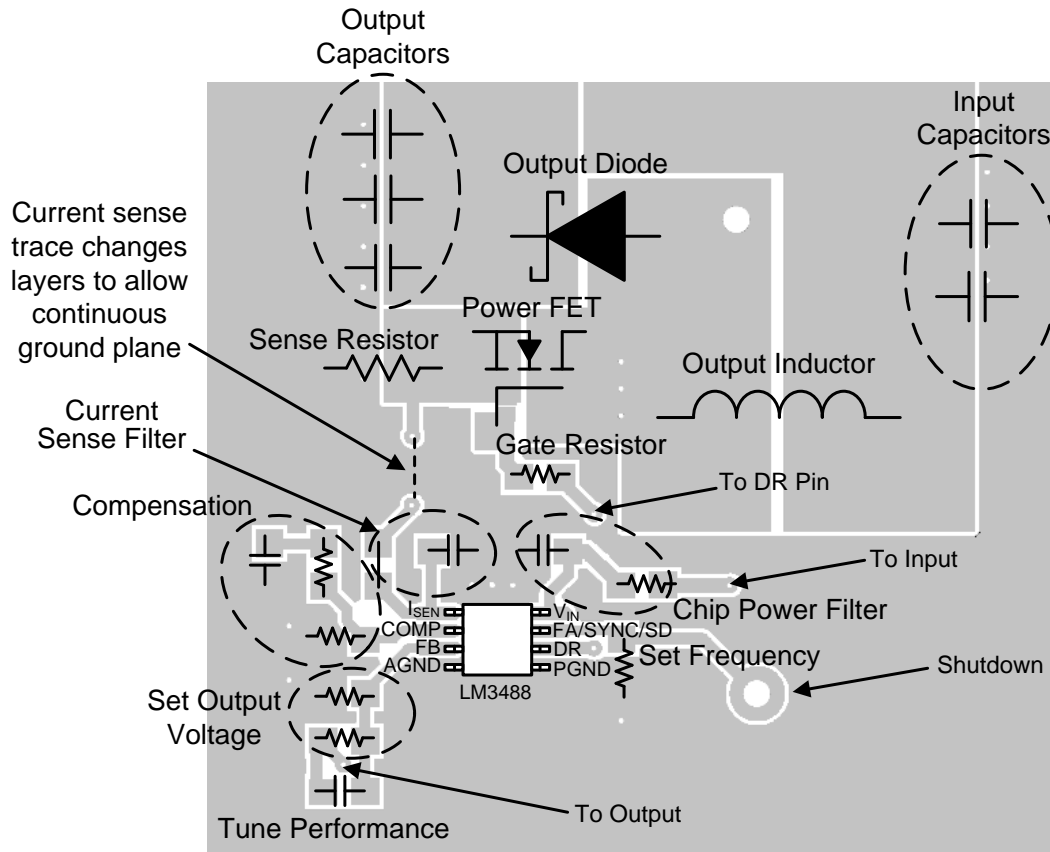


Figure 38. Example Layout of a Boost Application using LM3488

11 Device and Documentation Support

11.1 Custom Design with WEBENCH Tools

[Click here](#) to create a custom design using the LM3488 device with the WEBENCH® Power Designer.

1. Start by entering your V_{IN} , V_{OUT} and I_{OUT} requirements.
2. Optimize your design for key parameters like efficiency, footprint and cost using the optimizer dial and compare this design with other possible solutions from Texas Instruments.
3. WEBENCH Power Designer provides you with a customized schematic along with a list of materials with real time pricing and component availability.
4. In most cases, you will also be able to:
 - Run electrical simulations to see important waveforms and circuit performance,
 - Run thermal simulations to understand the thermal performance of your board,
 - Export your customized schematic and layout into popular CAD formats,
 - Print PDF reports for the design, and share your design with colleagues.

Custom Design with WEBENCH Tools (continued)

5. Get more information about WEBENCH tools at www.ti.com/webench.

11.2 Receiving Notification of Documentation Updates

To receive notification of documentation updates, navigate to the device product folder on ti.com. In the upper right corner, click on *Alert me* to register and receive a weekly digest of any product information that has changed. For change details, review the revision history included in any revised document.

11.3 Related Links

The table below lists quick access links. Categories include technical documents, support and community resources, tools and software, and quick access to sample or buy.

Table 4. Related Links

PARTS	PRODUCT FOLDER	SAMPLE & BUY	TECHNICAL DOCUMENTS	TOOLS & SOFTWARE	SUPPORT & COMMUNITY
LM3488	Click here	Click here	Click here	Click here	Click here
LM3488-Q1	Click here	Click here	Click here	Click here	Click here

11.4 Trademarks

WEBENCH is a registered trademark of Texas Instruments. All other trademarks are the property of their respective owners.

11.5 Electrostatic Discharge Caution



These devices have limited built-in ESD protection. The leads should be shorted together or the device placed in conductive foam during storage or handling to prevent electrostatic damage to the MOS gates.

11.6 Glossary

[SLYZ022](#) — *TI Glossary*.

This glossary lists and explains terms, acronyms, and definitions.

12 Mechanical, Packaging, and Orderable Information

The following pages include mechanical, packaging, and orderable information. This information is the most current data available for the designated devices. This data is subject to change without notice and revision of this document. For browser-based versions of this data sheet, refer to the left-hand navigation.

PACKAGING INFORMATION

Orderable Device	Status (1)	Package Type	Package Drawing	Pins	Package Qty	Eco Plan (2)	Lead/Ball Finish (6)	MSL Peak Temp (3)	Op Temp (°C)	Device Marking (4/5)	Samples
LM3488MM	ACTIVE	VSSOP	DGK	8	1000	TBD	Call TI	Call TI		S21B	Samples
LM3488MM/NOPB	ACTIVE	VSSOP	DGK	8	1000	Green (RoHS & no Sb/Br)	CU NIPDAUAG CU SN	Level-1-260C-UNLIM	-40 to 125	S21B	Samples
LM3488MMX/NOPB	ACTIVE	VSSOP	DGK	8	3500	Green (RoHS & no Sb/Br)	CU NIPDAUAG CU SN	Level-1-260C-UNLIM	-40 to 125	S21B	Samples
LM3488QMM/NOPB	ACTIVE	VSSOP	DGK	8	1000	Green (RoHS & no Sb/Br)	CU SN	Level-1-260C-UNLIM	-40 to 125	SSKB	Samples
LM3488QMMX/NOPB	ACTIVE	VSSOP	DGK	8	3500	Green (RoHS & no Sb/Br)	CU SN	Level-1-260C-UNLIM	-40 to 125	SSKB	Samples

(1) The marketing status values are defined as follows:

ACTIVE: Product device recommended for new designs.

LIFEBUY: TI has announced that the device will be discontinued, and a lifetime-buy period is in effect.

NRND: Not recommended for new designs. Device is in production to support existing customers, but TI does not recommend using this part in a new design.

PREVIEW: Device has been announced but is not in production. Samples may or may not be available.

OBSOLETE: TI has discontinued the production of the device.

(2) Eco Plan - The planned eco-friendly classification: Pb-Free (RoHS), Pb-Free (RoHS Exempt), or Green (RoHS & no Sb/Br) - please check <http://www.ti.com/productcontent> for the latest availability information and additional product content details.

TBD: The Pb-Free/Green conversion plan has not been defined.

Pb-Free (RoHS): TI's terms "Lead-Free" or "Pb-Free" mean semiconductor products that are compatible with the current RoHS requirements for all 6 substances, including the requirement that lead not exceed 0.1% by weight in homogeneous materials. Where designed to be soldered at high temperatures, TI Pb-Free products are suitable for use in specified lead-free processes.

Pb-Free (RoHS Exempt): This component has a RoHS exemption for either 1) lead-based flip-chip solder bumps used between the die and package, or 2) lead-based die adhesive used between the die and leadframe. The component is otherwise considered Pb-Free (RoHS compatible) as defined above.

Green (RoHS & no Sb/Br): TI defines "Green" to mean Pb-Free (RoHS compatible), and free of Bromine (Br) and Antimony (Sb) based flame retardants (Br or Sb do not exceed 0.1% by weight in homogeneous material)

(3) MSL, Peak Temp. - The Moisture Sensitivity Level rating according to the JEDEC industry standard classifications, and peak solder temperature.

(4) There may be additional marking, which relates to the logo, the lot trace code information, or the environmental category on the device.

(5) Multiple Device Markings will be inside parentheses. Only one Device Marking contained in parentheses and separated by a "~" will appear on a device. If a line is indented then it is a continuation of the previous line and the two combined represent the entire Device Marking for that device.

⁽⁶⁾ Lead/Ball Finish - Orderable Devices may have multiple material finish options. Finish options are separated by a vertical ruled line. Lead/Ball Finish values may wrap to two lines if the finish value exceeds the maximum column width.

Important Information and Disclaimer:The information provided on this page represents TI's knowledge and belief as of the date that it is provided. TI bases its knowledge and belief on information provided by third parties, and makes no representation or warranty as to the accuracy of such information. Efforts are underway to better integrate information from third parties. TI has taken and continues to take reasonable steps to provide representative and accurate information but may not have conducted destructive testing or chemical analysis on incoming materials and chemicals. TI and TI suppliers consider certain information to be proprietary, and thus CAS numbers and other limited information may not be available for release.

In no event shall TI's liability arising out of such information exceed the total purchase price of the TI part(s) at issue in this document sold by TI to Customer on an annual basis.

TAPE AND REEL INFORMATION

QUADRANT ASSIGNMENTS FOR PIN 1 ORIENTATION IN TAPE


*All dimensions are nominal

Device	Package Type	Package Drawing	Pins	SPQ	Reel Diameter (mm)	Reel Width W1 (mm)	A0 (mm)	B0 (mm)	K0 (mm)	P1 (mm)	W (mm)	Pin1 Quadrant
LM3488MM	VSSOP	DGK	8	1000	178.0	12.4	5.3	3.4	1.4	8.0	12.0	Q1
LM3488MM/NOPB	VSSOP	DGK	8	1000	178.0	12.4	5.3	3.4	1.4	8.0	12.0	Q1
LM3488MMX/NOPB	VSSOP	DGK	8	3500	330.0	12.4	5.3	3.4	1.4	8.0	12.0	Q1
LM3488QMM/NOPB	VSSOP	DGK	8	1000	178.0	12.4	5.3	3.4	1.4	8.0	12.0	Q1
LM3488QMMX/NOPB	VSSOP	DGK	8	3500	330.0	12.4	5.3	3.4	1.4	8.0	12.0	Q1

TAPE AND REEL BOX DIMENSIONS



*All dimensions are nominal

Device	Package Type	Package Drawing	Pins	SPQ	Length (mm)	Width (mm)	Height (mm)
LM3488MM	VSSOP	DGK	8	1000	210.0	185.0	35.0
LM3488MM/NOPB	VSSOP	DGK	8	1000	210.0	185.0	35.0
LM3488MMX/NOPB	VSSOP	DGK	8	3500	367.0	367.0	35.0
LM3488QMM/NOPB	VSSOP	DGK	8	1000	210.0	185.0	35.0
LM3488QMMX/NOPB	VSSOP	DGK	8	3500	367.0	367.0	35.0



- NOTES:
- A. All linear dimensions are in millimeters.
 - B. This drawing is subject to change without notice.
 - C. Publication IPC-7351 is recommended for alternate designs.
 - D. Laser cutting apertures with trapezoidal walls and also rounding corners will offer better paste release. Customers should contact their board assembly site for stencil design recommendations. Refer to IPC-7525 for other stencil recommendations.
 - E. Customers should contact their board fabrication site for solder mask tolerances between and around signal pads.

IMPORTANT NOTICE

Texas Instruments Incorporated (TI) reserves the right to make corrections, enhancements, improvements and other changes to its semiconductor products and services per JESD46, latest issue, and to discontinue any product or service per JESD48, latest issue. Buyers should obtain the latest relevant information before placing orders and should verify that such information is current and complete.

TI's published terms of sale for semiconductor products (<http://www.ti.com/sc/docs/stdterms.htm>) apply to the sale of packaged integrated circuit products that TI has qualified and released to market. Additional terms may apply to the use or sale of other types of TI products and services.

Reproduction of significant portions of TI information in TI data sheets is permissible only if reproduction is without alteration and is accompanied by all associated warranties, conditions, limitations, and notices. TI is not responsible or liable for such reproduced documentation. Information of third parties may be subject to additional restrictions. Resale of TI products or services with statements different from or beyond the parameters stated by TI for that product or service voids all express and any implied warranties for the associated TI product or service and is an unfair and deceptive business practice. TI is not responsible or liable for any such statements.

Buyers and others who are developing systems that incorporate TI products (collectively, "Designers") understand and agree that Designers remain responsible for using their independent analysis, evaluation and judgment in designing their applications and that Designers have full and exclusive responsibility to assure the safety of Designers' applications and compliance of their applications (and of all TI products used in or for Designers' applications) with all applicable regulations, laws and other applicable requirements. Designer represents that, with respect to their applications, Designer has all the necessary expertise to create and implement safeguards that (1) anticipate dangerous consequences of failures, (2) monitor failures and their consequences, and (3) lessen the likelihood of failures that might cause harm and take appropriate actions. Designer agrees that prior to using or distributing any applications that include TI products, Designer will thoroughly test such applications and the functionality of such TI products as used in such applications.

TI's provision of technical, application or other design advice, quality characterization, reliability data or other services or information, including, but not limited to, reference designs and materials relating to evaluation modules, (collectively, "TI Resources") are intended to assist designers who are developing applications that incorporate TI products; by downloading, accessing or using TI Resources in any way, Designer (individually or, if Designer is acting on behalf of a company, Designer's company) agrees to use any particular TI Resource solely for this purpose and subject to the terms of this Notice.

TI's provision of TI Resources does not expand or otherwise alter TI's applicable published warranties or warranty disclaimers for TI products, and no additional obligations or liabilities arise from TI providing such TI Resources. TI reserves the right to make corrections, enhancements, improvements and other changes to its TI Resources. TI has not conducted any testing other than that specifically described in the published documentation for a particular TI Resource.

Designer is authorized to use, copy and modify any individual TI Resource only in connection with the development of applications that include the TI product(s) identified in such TI Resource. NO OTHER LICENSE, EXPRESS OR IMPLIED, BY ESTOPPEL OR OTHERWISE TO ANY OTHER TI INTELLECTUAL PROPERTY RIGHT, AND NO LICENSE TO ANY TECHNOLOGY OR INTELLECTUAL PROPERTY RIGHT OF TI OR ANY THIRD PARTY IS GRANTED HEREIN, including but not limited to any patent right, copyright, mask work right, or other intellectual property right relating to any combination, machine, or process in which TI products or services are used. Information regarding or referencing third-party products or services does not constitute a license to use such products or services, or a warranty or endorsement thereof. Use of TI Resources may require a license from a third party under the patents or other intellectual property of the third party, or a license from TI under the patents or other intellectual property of TI.

TI RESOURCES ARE PROVIDED "AS IS" AND WITH ALL FAULTS. TI DISCLAIMS ALL OTHER WARRANTIES OR REPRESENTATIONS, EXPRESS OR IMPLIED, REGARDING RESOURCES OR USE THEREOF, INCLUDING BUT NOT LIMITED TO ACCURACY OR COMPLETENESS, TITLE, ANY EPIDEMIC FAILURE WARRANTY AND ANY IMPLIED WARRANTIES OF MERCHANTABILITY, FITNESS FOR A PARTICULAR PURPOSE, AND NON-INFRINGEMENT OF ANY THIRD PARTY INTELLECTUAL PROPERTY RIGHTS. TI SHALL NOT BE LIABLE FOR AND SHALL NOT DEFEND OR INDEMNIFY DESIGNER AGAINST ANY CLAIM, INCLUDING BUT NOT LIMITED TO ANY INFRINGEMENT CLAIM THAT RELATES TO OR IS BASED ON ANY COMBINATION OF PRODUCTS EVEN IF DESCRIBED IN TI RESOURCES OR OTHERWISE. IN NO EVENT SHALL TI BE LIABLE FOR ANY ACTUAL, DIRECT, SPECIAL, COLLATERAL, INDIRECT, PUNITIVE, INCIDENTAL, CONSEQUENTIAL OR EXEMPLARY DAMAGES IN CONNECTION WITH OR ARISING OUT OF TI RESOURCES OR USE THEREOF, AND REGARDLESS OF WHETHER TI HAS BEEN ADVISED OF THE POSSIBILITY OF SUCH DAMAGES.

Unless TI has explicitly designated an individual product as meeting the requirements of a particular industry standard (e.g., ISO/TS 16949 and ISO 26262), TI is not responsible for any failure to meet such industry standard requirements.

Where TI specifically promotes products as facilitating functional safety or as compliant with industry functional safety standards, such products are intended to help enable customers to design and create their own applications that meet applicable functional safety standards and requirements. Using products in an application does not by itself establish any safety features in the application. Designers must ensure compliance with safety-related requirements and standards applicable to their applications. Designer may not use any TI products in life-critical medical equipment unless authorized officers of the parties have executed a special contract specifically governing such use. Life-critical medical equipment is medical equipment where failure of such equipment would cause serious bodily injury or death (e.g., life support, pacemakers, defibrillators, heart pumps, neurostimulators, and implantables). Such equipment includes, without limitation, all medical devices identified by the U.S. Food and Drug Administration as Class III devices and equivalent classifications outside the U.S.

TI may expressly designate certain products as completing a particular qualification (e.g., Q100, Military Grade, or Enhanced Product). Designers agree that it has the necessary expertise to select the product with the appropriate qualification designation for their applications and that proper product selection is at Designers' own risk. Designers are solely responsible for compliance with all legal and regulatory requirements in connection with such selection.

Designer will fully indemnify TI and its representatives against any damages, costs, losses, and/or liabilities arising out of Designer's non-compliance with the terms and provisions of this Notice.

Looking for pricing, stock, or lifecycle information?

Click below to explore more details on WIN SOURCE:

 [View LM3488MM/NOPB on WIN SOURCE](#)

 [Texas Instruments](#) Information

Optimize Your Supply Chain with WIN SOURCE Solutions

-  Global Sourcing Solution
-  Obsolete Management
-  Cost Control Management
-  Shortage Management
-  Alternative Solution
-  Excess Inventory Management