

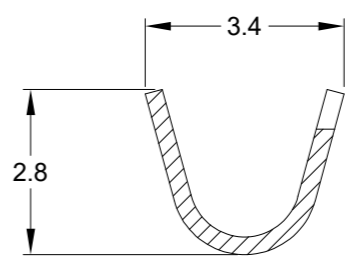
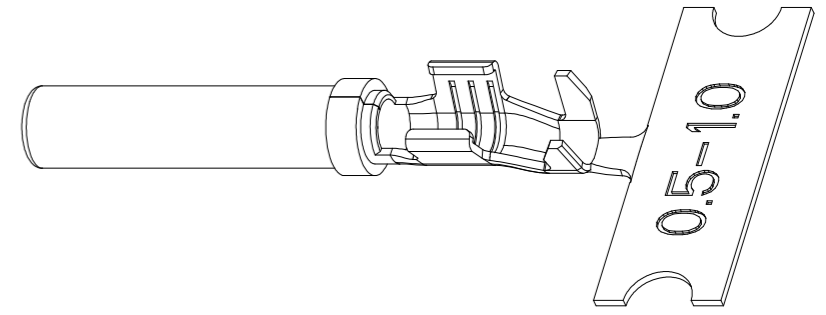
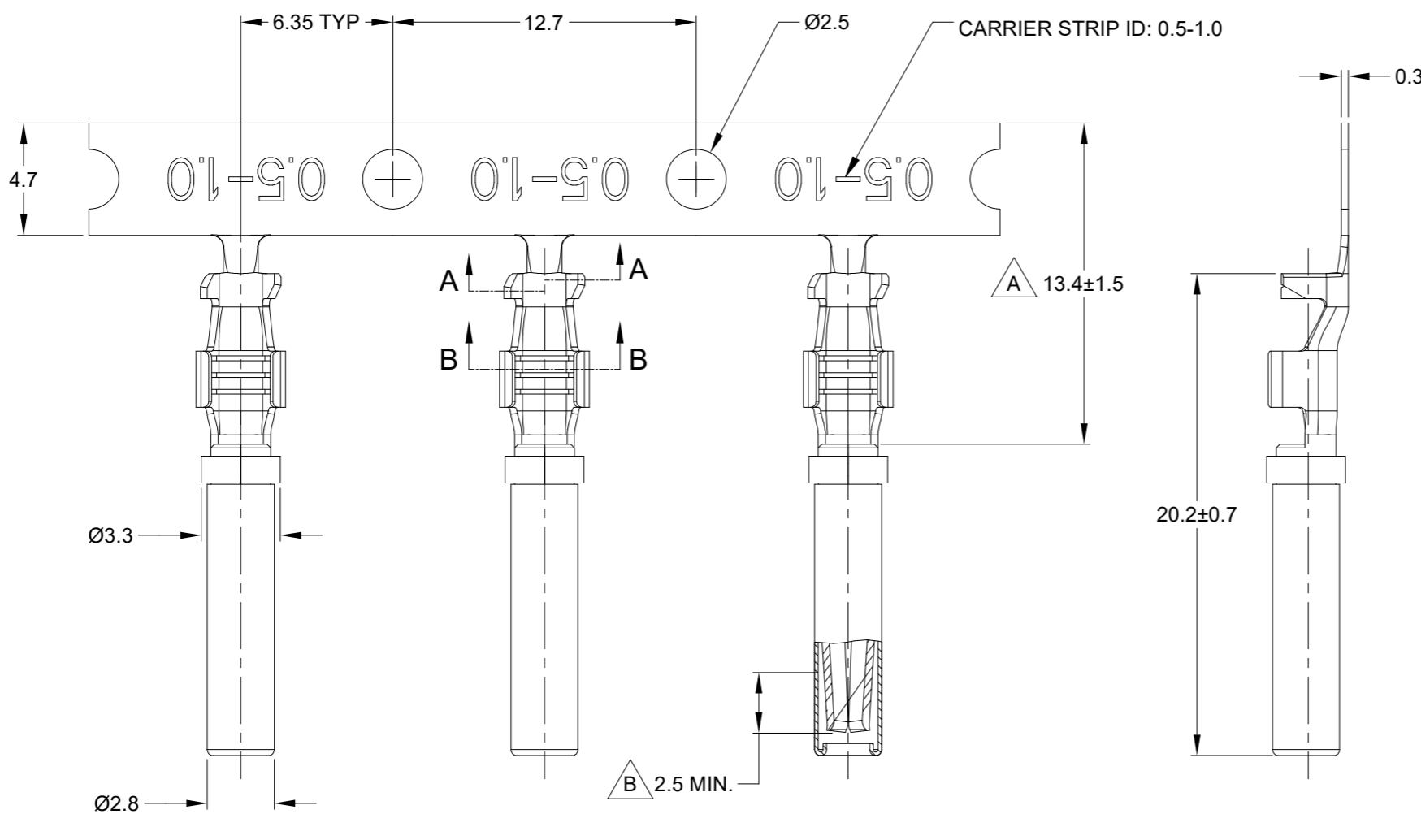


**THE DATASHEET OF
AT62-16-0622**

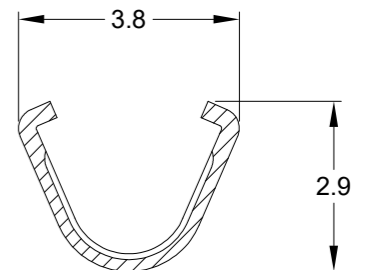


| REVISIONS | | | | | |
|-----------|--------|------------------------|-----------|--------|-------|
| REV | ECO | DESCRIPTION | DATE | BY | APPR |
| A3 | - | RELEASE NEW DWG FORMAT | 21/OCT/13 | DRP | - |
| A4 | C1070S | UPDATE DRAWING | 28/JUN/19 | JOE | TOMMY |
| A5 | C1298S | UPDATE PLATING | 14/SEP/20 | SULLEN | TOMMY |
| A6 | - | UPDATE THE WIRE GAGE | 09/OCT/23 | LUCAS | TOMMY |

TITLE: SOCKET, STAMPED, SIZE 16, 16-20 AWG, A SERIES
 DWG NO.: AT62-16-06XX
 REV: A6
 SH: 1
 OF: 1



SECTION A-A
SCALE - 2:1



SECTION B-B
SCALE - 2:1

NOTES: UNLESS OTHERWISE SPECIFIED

- MATERIAL: COPPER ALLOY
- PLATING: SEE PART NUMBER CHART
- CONTACT SIZE: 16
- SPECIFICATIONS:
 - CURRENT RATING: 13 AMPS
 - CONTACT MILLIVOLT DROP: 100 MILLIVOLT DROP @ 13 AMP TEST CURRENT.
 - RoHS COMPLIANT
- RECOMMENDED WIRE RANGE: 16 - 20 AWG (1.0 - 0.5mm²)
RECOMMENDED INSUL O.D: 1.40 - 2.54MM (0.055 - 0.1 INCH)
- PACKAGE: 4000 PCS/REEL
- AVAILABLE APPLICATORS: MFX-3950-K OR MFX-3950-G
- ALL DIMENSIONS ARE FOR REFERENCE USE ONLY

| PART NUMBER CHART | | |
|-------------------|--------------|---|
| PLATING | PART NUMBER | PLATING DESCRIPTION |
| NICKEL | AT62-16-0622 | SELECTIVE TIN OVER NICKEL OVERALL IN Δ ZONE |
| GOLD | AT62-16-0644 | SELECTIVE GOLD FLASH OVER NICKEL OVERALL IN ∇ ZONE OR ENTIRE CONTACT |
| TIN | AT62-16-0677 | TIN OVER NICKEL OVERALL |



| | | | |
|--------------------------------------|----------------|--|--|
| SEE PART NUMBER CHART | | REF: 1062-16-0622, 1062-16-0644, 1062-16-0677 | |
| PART NUMBER | | DESCRIPTION | |
| QUANTITY | MATERIALS LIST | | |
| UNLESS OTHERWISE SPECIFIED | | SIGNATURES | |
| 1) All dimensions are in metric(mm). | | DRAWN: LUCAS CHAI 09/OCT/23 | |
| 2) Tolerances are as follows: | | CHECKED: ORION LI 10/OCT/23 | |
| 1 PL DEC ±0.30 | | ENGINEER: | |
| 2 PL DEC ±0.15 | | APPROVAL: TOMMY XIE 12/OCT/23 | |
| 3 PL DEC ±0.08 | | CUSTOMER: | |
| 3) Note reference = Δ | | THIS DRAWING IS SUPPLIED FOR INFORMATION ONLY. DESIGN FEATURES, SPECIFICATIONS AND PERFORMANCE DATA SHOWN HEREON ARE THE PROPERTY OF THE AMPHENOL CORPORATION. NO RIGHTS OF REPRODUCTION ARE IMPLIED. ALL DIMENSIONS ARE SUBJECT TO NORMAL MANUFACTURING VARIATIONS. | |
| MATERIAL SPECIFICATIONS: | | SIZE B C- | |
| PROCESS SPECIFICATIONS: | | DWG NO: AT62-16-06XX | |
| NEXT ASSY: | | REVISION A6 | |
| | | SCALE: NONE | |
| | | SHEET 1 OF 1 | |

Amphenol
 Sine Systems - www.amphenol-sine.com
 44724 Morley Drive
 Clinton Township, MI 48036

CONTACT, SOCKET, STAMPED,
 SIZE 16, 16-20 AWG, A SERIES

Looking for pricing, stock, or lifecycle information?

Click below to explore more details on WIN SOURCE:

-  [View AT62-16-0622 on WIN SOURCE](#)
-  [Amphenol Sine Systems Corp Information](#)

Optimize Your Supply Chain with WIN SOURCE Solutions

-  Global Sourcing Solution
-  Obsolete Management
-  Cost Control Management
-  Shortage Management
-  Alternative Solution
-  Excess Inventory Management