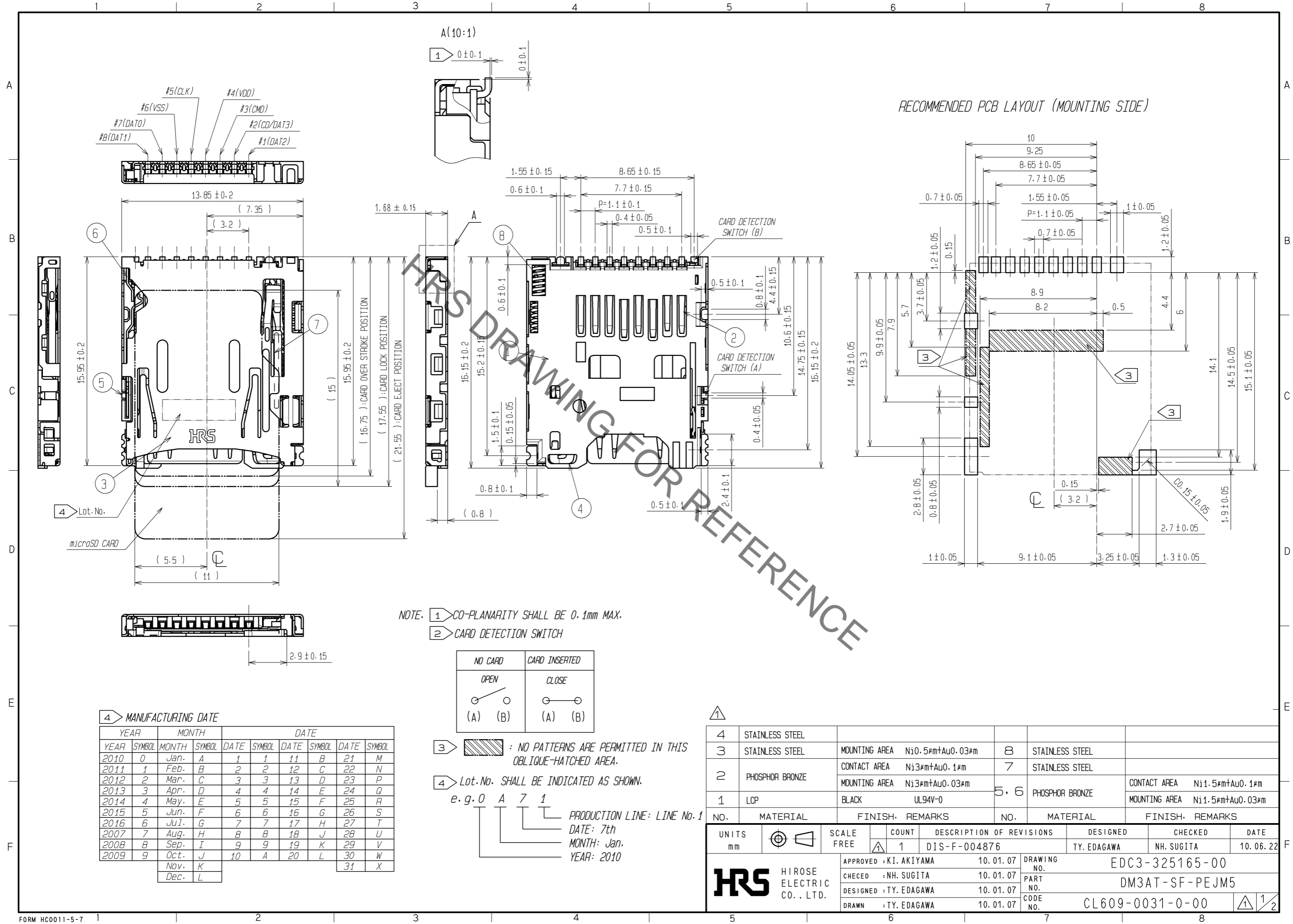




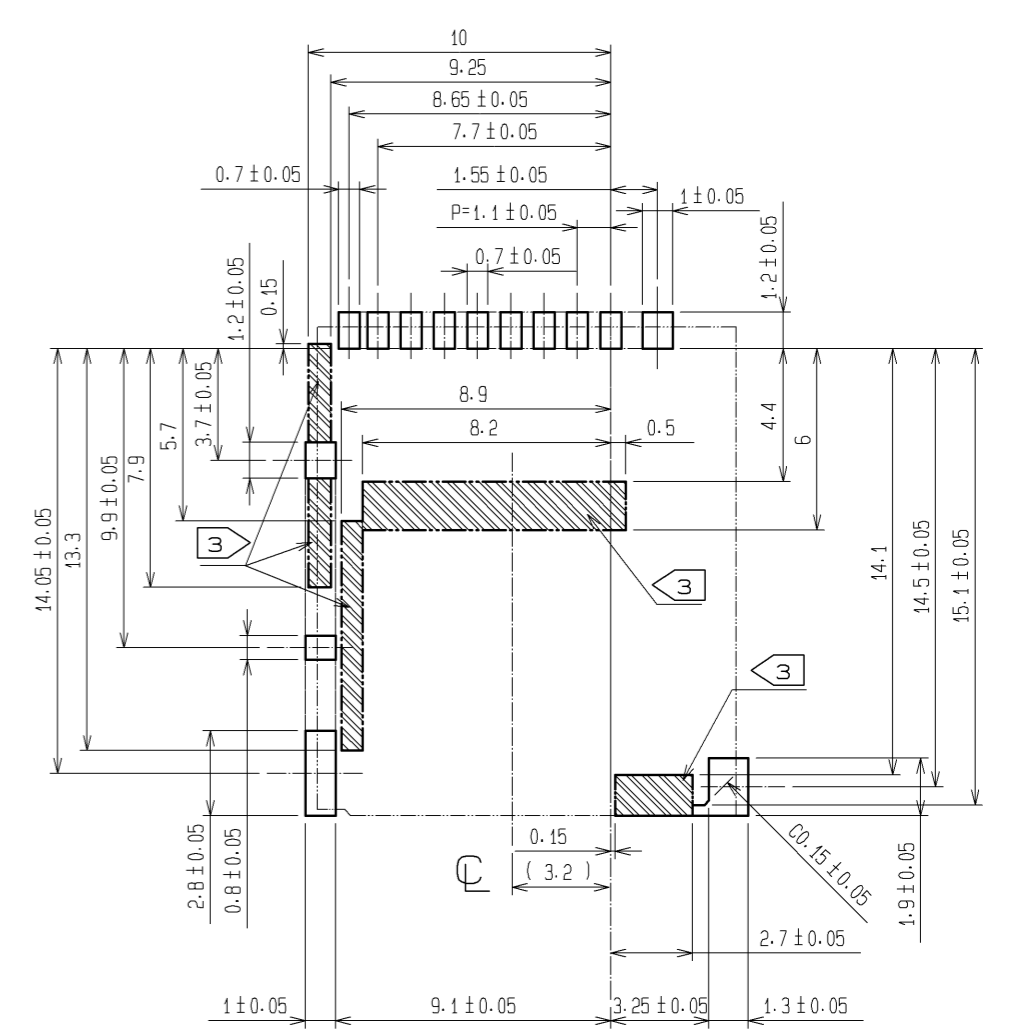
**THE DATASHEET OF  
DM3AT-SF-PEJM5**



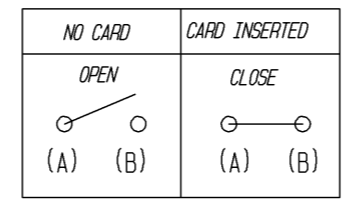
Sep.1.2019 Copyright 2019 HIROSE ELECTRIC CO., LTD. All Rights Reserved.  
In case of consideration for using Automotive equipment / device which demand high reliability, kindly contact our sales window correspondents.



RECOMMENDED PCB LAYOUT (MOUNTING SIDE)

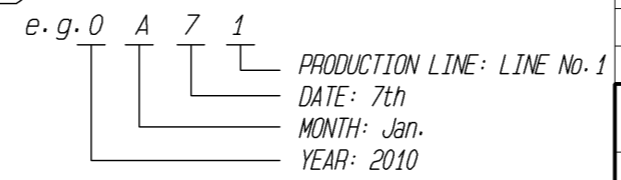


NOTE. ① CO-PLANARITY SHALL BE 0.1mm MAX.  
② CARD DETECTION SWITCH



③ : NO PATTERNS ARE PERMITTED IN THIS OBLIQUE-HATCHED AREA.

④ Lot.No. SHALL BE INDICATED AS SHOWN.



④ MANUFACTURING DATE

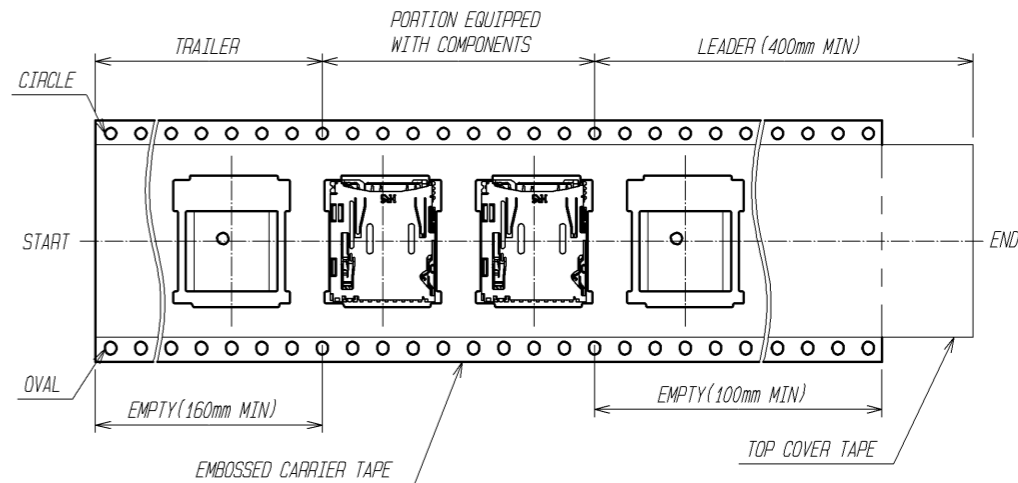
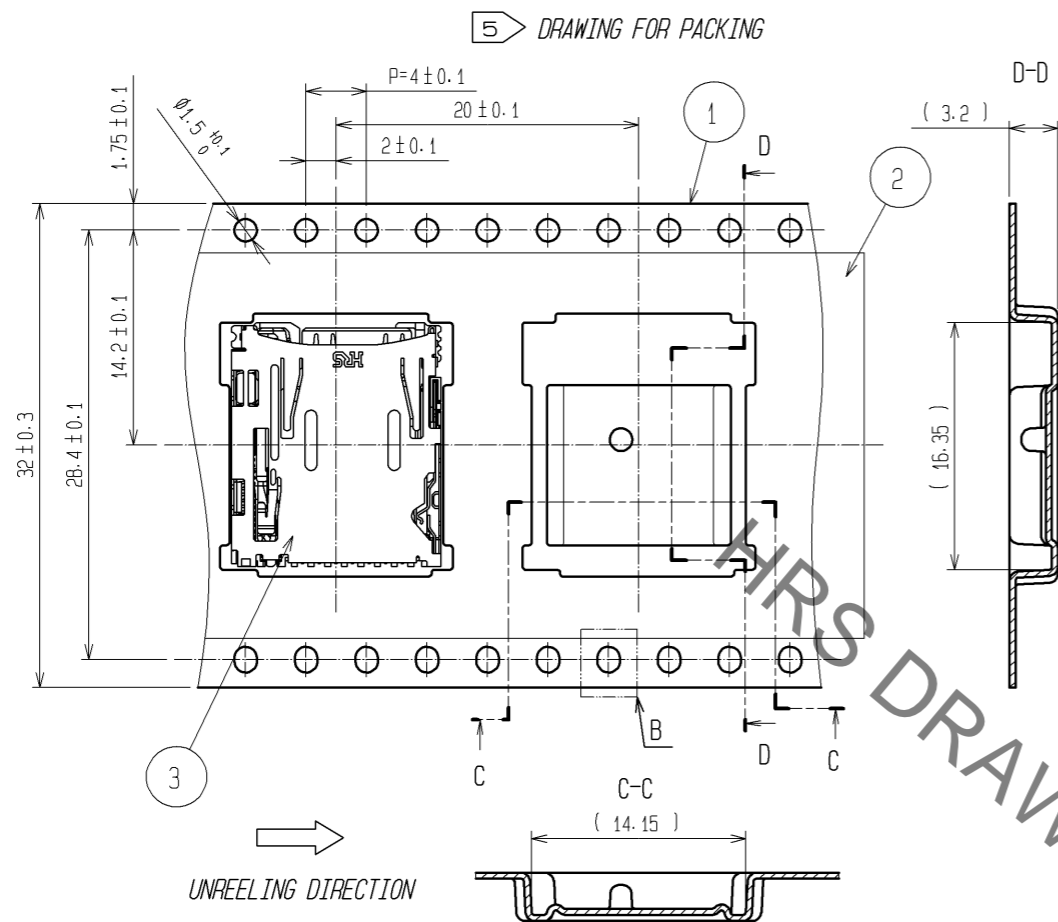
YEAR	MONTH	SYMBOL		DATE	SYMBOL	DATE	SYMBOL	DATE	SYMBOL
2010	0	Jan.	A	1	1	11	B	21	M
2011	1	Feb.	B	2	2	12	C	22	N
2012	2	Mar.	C	3	3	13	D	23	P
2013	3	Apr.	D	4	4	14	E	24	Q
2014	4	May.	E	5	5	15	F	25	R
2015	5	Jun.	F	6	6	16	G	26	S
2016	6	Jul.	G	7	7	17	H	27	T
2007	7	Aug.	H	8	8	18	J	28	U
2008	8	Sep.	I	9	9	19	K	29	V
2009	9	Oct.	J	10	A	20	L	30	W
		Nov.	K					31	X
		Dec.	L						

NO.	MATERIAL	FINISH	REMARKS	NO.	MATERIAL	FINISH	REMARKS
4	STAINLESS STEEL						
3	STAINLESS STEEL		MOUNTING AREA Ni0.5#m+Au0.03#m	8	STAINLESS STEEL		
2	PHOSPHOR BRONZE		CONTACT AREA Ni3#m+Au0.1#m	7	STAINLESS STEEL		
			MOUNTING AREA Ni3#m+Au0.03#m	5, 6	PHOSPHOR BRONZE		CONTACT AREA Ni1.5#m+Au0.1#m
1	LCP	BLACK	UL94V-0				MOUNTING AREA Ni1.5#m+Au0.03#m

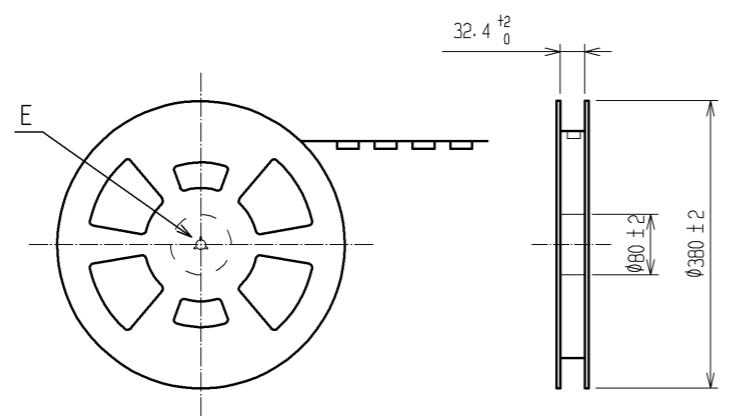
  

UNITS mm		SCALE FREE	COUNT 1	DESCRIPTION OF REVISIONS DIS-F-004876	DESIGNED TY. EDAGAWA	CHECKED NH. SUGITA	DATE 10.06.22
APPROVED : KI. AKIYAMA 10.01.07				DRAWING NO. EDC3-325165-00			
CHECKED : NH. SUGITA 10.01.07				PART NO. DM3AT-SF-PEJM5			
DESIGNED : TY. EDAGAWA 10.01.07				CODE NO. CL609-0031-0-00			
DRAWN : TY. EDAGAWA 10.01.07				① 1/2			

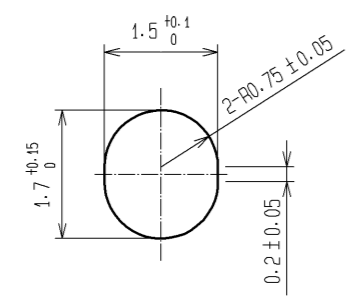
Sep.1.2019 Copyright 2019 HIROSE ELECTRIC CO., LTD. All Rights Reserved.  
 In case of consideration for using Automotive equipment / device which demand high reliability, kindly contact our sales window correspondents.



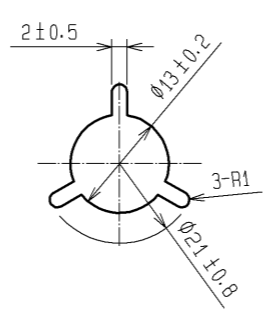
DETAIL OF REEL (1:10)



B(10:1)



E(1:1)



HRS DRAWING FOR REFERENCE

NOTE. 5 PACKING TYPE: TAPE AND REEL. 1500PCS PER REEL.  
 6 PLEASE REFER TO TECHNICAL SPECIFICATION : ETAD-F0345  
 \*DM3AT SERIES PRODUCT INFORMATION AND HANDLING INSTRUCTIONS\*  
 FOR THE HANDLING OF THE PRODUCT.

NO.	MATERIAL	FINISH	REMARKS
3	(CONNECTORS)		
2	POLYESTER		
1	PS		

UNITS mm		SCALE 2 : 1	COUNT 1	DESCRIPTION OF REVISIONS DIS-F-004876	DESIGNED TY. EDAGAWA	CHECKED NH. SUGITA	DATE 10.06.22
<b>HRS</b> HIROSE ELECTRIC CO., LTD.		APPROVED : KI. AKIYAMA	10.01.07	DRAWING NO. EDC3-325165-00			
		CHECED : NH. SUGITA	10.01.07	PART NO. DM3AT-SF-PEJM5			
		DESIGNED : TY. EDAGAWA	10.01.07	CODE NO. CL609-0031-0-00			
		DRAWN : TY. EDAGAWA	10.01.07			2/2	

## Looking for pricing, stock, or lifecycle information?

Click below to explore more details on WIN SOURCE:

- [⊖ View DM3AT-SF-PEJM5 on WIN SOURCE](#)
- [⊖ Hirose Electric Co Ltd Information](#)

## Optimize Your Supply Chain with WIN SOURCE Solutions

- ✓ Global Sourcing Solution
- ✓ Obsolete Management
- ✓ Cost Control Management
- ✓ Shortage Management
- ✓ Alternative Solution
- ✓ Excess Inventory Management