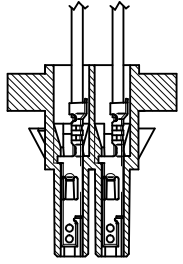




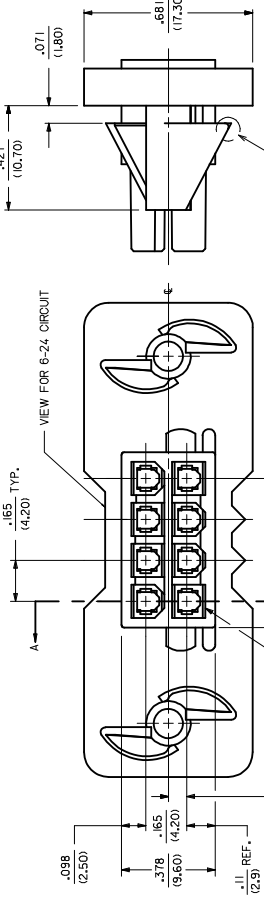
THE DATASHEET OF
15-06-0241



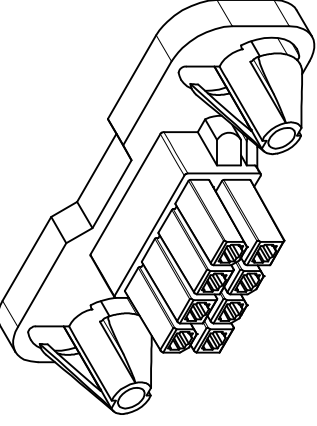
20	19	18	17	16	15	14	13	12	11	10	9	8	7	6	5	
M	L	K	J	I	H	G	F	E	D	C	B	A	QUALITY SYMBOLS	DIM. "A"	DIM. "B"	DIM. "C"
			CT1 SIZE													
			2													
			4													
			6													
			8													
			10													
			12													
			14													
			16													
			18													
			20													
			22													
			24													



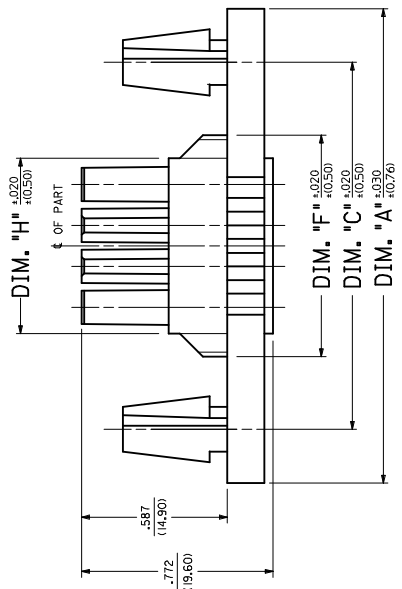
SECTION "A-A"
TERMINAL ORIENTATION



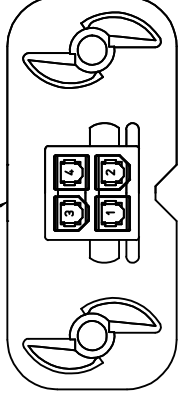
THIS AREA CAN BE SHARP OR RADIUS



VIEW FOR 2 AND 4 CIRCUIT NOTCH REMOVED

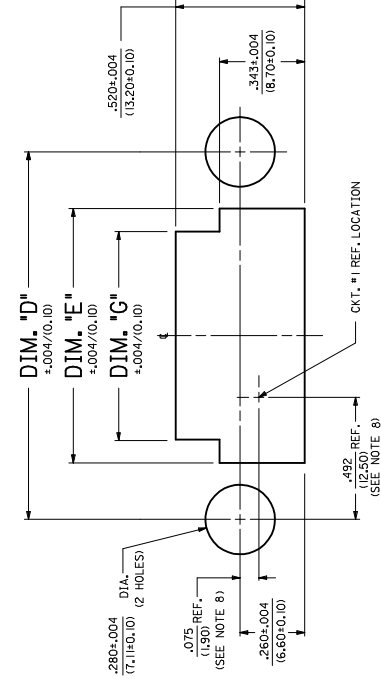


2-8 & 12-24 CIRCUIT HEADER
(SEE SHEET 2 FOR 10 CIRCUIT HEADER DESIGN)



2-8 & 12-24 CIRCUIT HEADER

(SEE SHEET 2 FOR 10 CIRCUIT HEADER DESIGN)



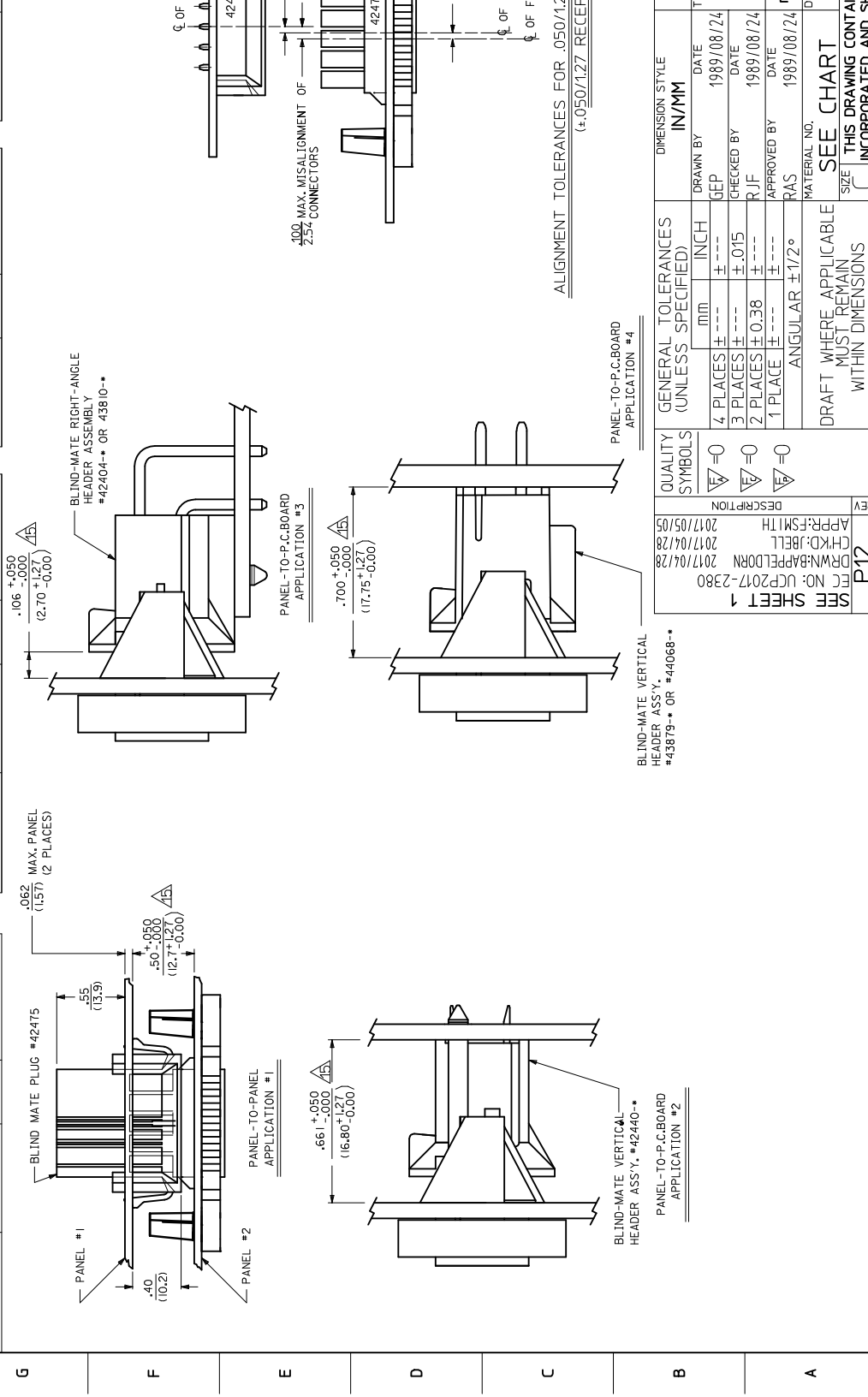
RECOMMENDED PANEL CUT-OUT FOR .059±0.02/(12.7±0.30) THICK PANEL
(SEE NOTE 11)

LEGEND:
42474 - ** * 1
BASE NUMBER
CIRCUIT SIZE (02-24)
MATERIAL (SEE NOTE 1)

QUALITY SYMBOLS	GENERAL TOLERANCES (UNLESS SPECIFIED)	DRAWN BY
△	1 PLACES ± .015	GEP
△	2 PLACES ± .038	RJF
△	3 PLACES ± .015	APPROVED
△	1 PLACE ± .038	APPROVED
△	ANGULAR ±1/2°	MATERIAL
△	SEE DIMENSIONS	SEE DIMENSIONS

EC NO: UCP2017-2380
DDB 8CKT P/N
DRM:KABELDORN 2017/04/28
CHKD:JBEHL 2017/04/28
APP:FSM:TH 2017/05/05
REVISION DESCRIPTION

13	12	11	10	9	8	7	6	5	4		
PART NUMBER	ENG. NUMBER	CKT. SIZE	MATERIAL (SEE NOTE 1.)	PART NUMBER	ENG. NUMBER	CKT. SIZE	MATERIAL (SEE NOTE 1.)	ITEM NUMBER	CKT. SIZE	MATERIAL (SEE NOTE 1.)	ITEM NUMBER
J	NOT TOOLED	42474-0211	94V-2	NOT TOOLED	42474-0221	2	94V-0	NOT TOOLED	2	94V-2	NOT TOOLED
	15-06-0040	42474-0411	94V-2	15-06-0041	42474-0421	4	94V-0	42474-0431	4	94V-2	42474-0441
	15-06-0060	42474-0611	94V-2	15-06-0061	42474-0621	6	94V-0	42474-0631	6	94V-2	42474-0641
	15-06-0080	42474-0811	94V-2	15-06-0081	42474-0821	8	94V-0	42474-0831	8	94V-2	42474-0841
I	15-06-0100	42474-1011	94V-2	15-06-0101	42474-1021	10	94V-0	42474-1031	10	94V-2	42474-1041
	NOT TOOLED	42474-1211	94V-2	NOT TOOLED	42474-1221	12	94V-0	NOT TOOLED	12	94V-2	NOT TOOLED
	15-06-0140	42474-1411	94V-2	15-06-0141	42474-1421	14	94V-0	42474-1431	14	94V-2	42474-1441
	NOT TOOLED	42474-1611	94V-2	NOT TOOLED	42474-1621	16	94V-0	NOT TOOLED	16	94V-2	NOT TOOLED
H	15-06-0180	42474-1811	94V-2	15-06-0181	42474-1821	18	94V-0	42474-1831	18	94V-2	42474-1841
	NOT TOOLED	42474-2011	94V-2	NOT TOOLED	42474-2021	20	94V-0	NOT TOOLED	20	94V-2	NOT TOOLED
	NOT TOOLED	42474-2211	94V-2	NOT TOOLED	42474-2221	22	94V-0	NOT TOOLED	22	94V-2	NOT TOOLED
	15-06-0240	42474-2411	94V-2	15-06-0241	42474-2421	24	94V-0	42474-2431	24	94V-2	42474-2441



tb_frames_C.P.A.M.T
Rev. F 2009/06/16

12	11	10	9	8	7	6	5	4	
BLIND-MATE VERTICAL HEADER ASSY. #42440** PANEL-TO-P.C.BOARD APPLICATION #2		BLIND-MATE VERTICAL HEADER ASSY. #43879** OR #44068**		PANEL-TO-P.C.BOARD APPLICATION #4		PANEL-TO-P.C.BOARD APPLICATION #3		ALIGNMENT TOLERANCES FOR .050/1.27 RECEIVE (±.050/1.27 RECEIVE)	
QUALITY SYMBOLS ▽=0 ▽=0 ▽=0		DESCRIPTION APP:R.FSMITH 2017/05/05 CHKD:JBELL 2017/04/28 DRW:MBAPPELDORN 2017/04/28 EC NO: UCP2017-2380		REV P12		SEE SHEET 1		SEE CHART SIZE THIS DRAWING CONTAINED AND INCORPORATED AND SI	
GENERAL TOLERANCES (UNLESS SPECIFIED)		DIMENSION STYLE IN/MM		DRAWN BY DATE GEP 1989/08/24		CHECKED BY DATE R.J.F. 1989/08/24		APPROVED BY DATE RAS 1989/08/24	
4 PLACES ± .015		3 PLACES ± .015		2 PLACES ± 0.38		1 PLACE ± .015		ANGULAR ± 1/2°	
DRAFT WHERE APPLICABLE MUST REMAIN WITHIN DIMENSIONS		MATERIAL NO.		1989/08/24		SEE CHART		THIS DRAWING CONTAINED AND INCORPORATED AND SI	

Looking for pricing, stock, or lifecycle information?

Click below to explore more details on WIN SOURCE:

 [View 15-06-0241 on WIN SOURCE](#)

 [Molex, LLC Information](#)

Optimize Your Supply Chain with WIN SOURCE Solutions

-  Global Sourcing Solution
-  Obsolete Management
-  Cost Control Management
-  Shortage Management
-  Alternative Solution
-  Excess Inventory Management